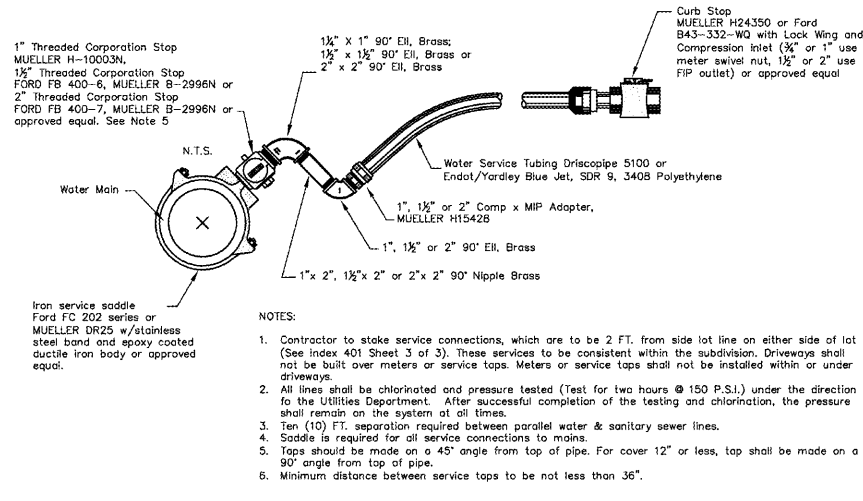
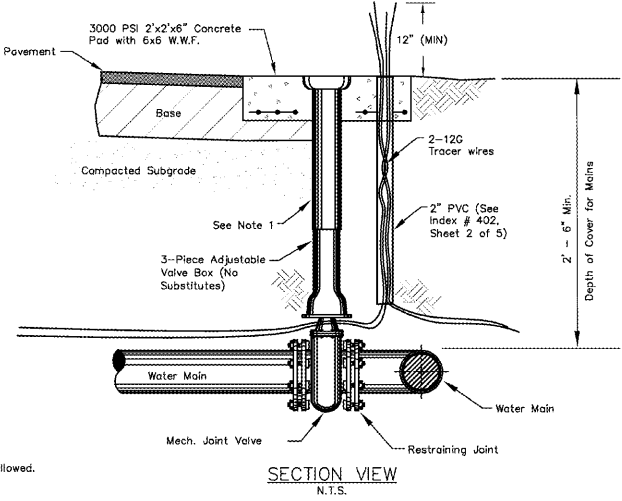


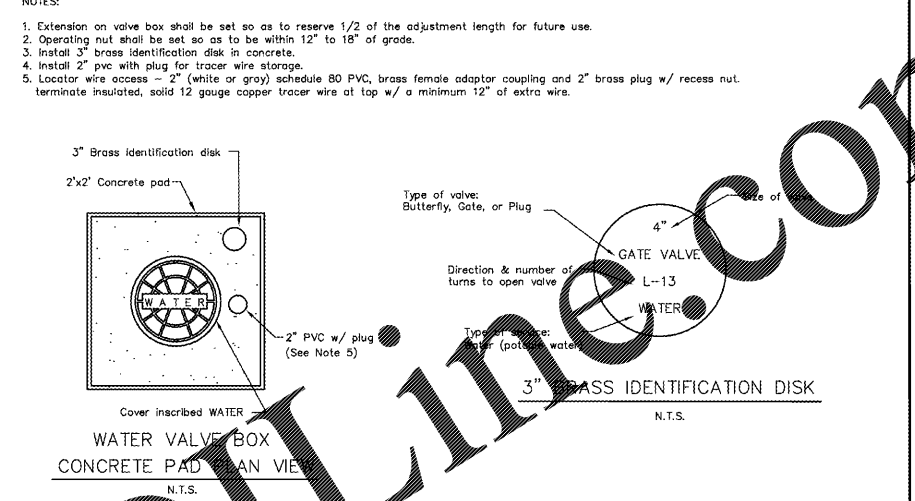
THIS DOCUMENT, TOGETHER WITH THE CONCEPTS AND DESIGNS PRESENTED HEREIN, AS AN INSTRUMENT OF SERVICE, IS RENEWED ONLY FOR THE SPECIFIC PURPOSE AND CLIENT FOR WHICH IT WAS PREPARED. REUSE OF AND IMPROPER RELIANCE ON THIS DOCUMENT WITHOUT WRITTEN AUTHORIZATION AND ADOPTION BY BOWMAN CONSULTING SHALL BE WITHOUT LIABILITY TO BOWMAN CONSULTING.



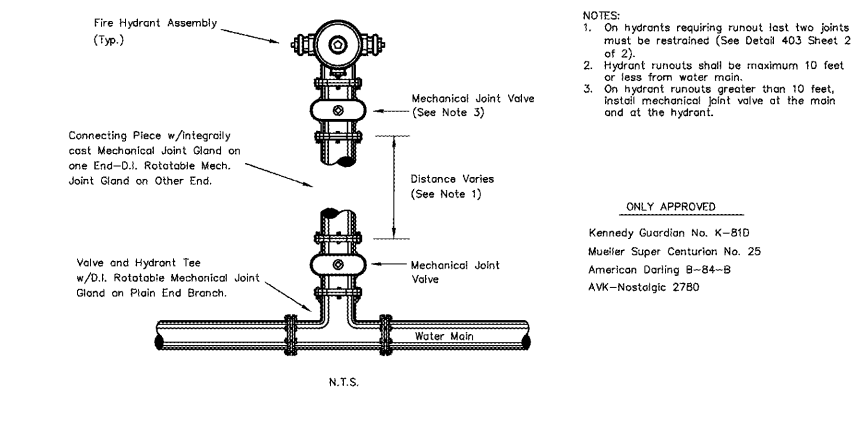
1/74	ADDED PART NUMBERS	P.L.S.	CITY OF CLEARWATER ENGINEERING DEPARTMENT WATER DETAILS	INDEX NO. 401	PAGE NO. 1 of 3
8/09	CHG. CORP STOP NO.	P.S.	WATER MAIN SERVICE CONNECTION DETAIL	LATEST REVISION	2/22/2016



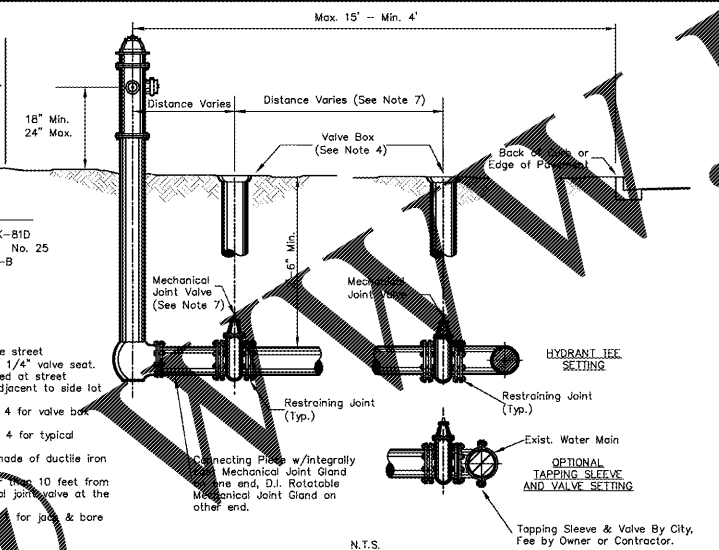
			CITY OF CLEARWATER ENGINEERING DEPARTMENT WATER DETAILS	INDEX NO. 402	PAGE NO. 1 of 4
			TYPICAL VALVE AND BOX SETTING SECTION VIEW	LATEST REVISION	2/22/2016



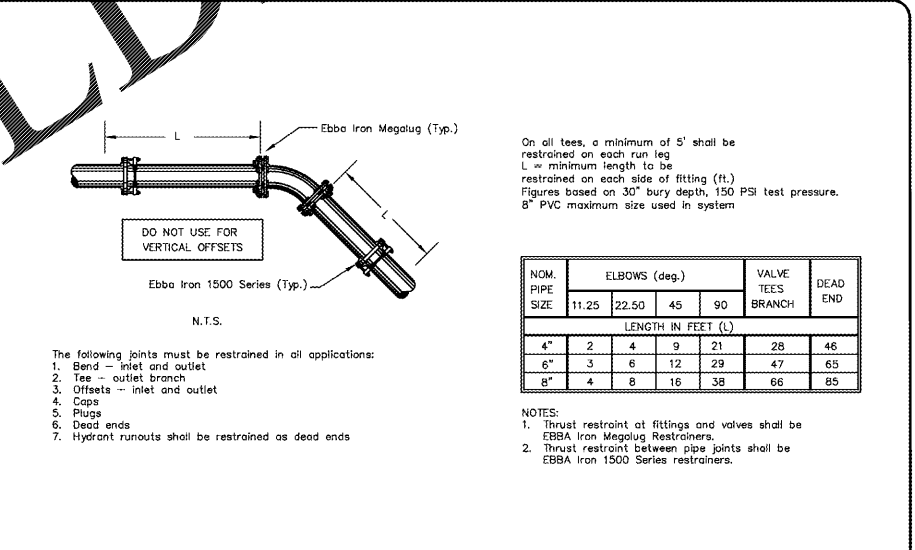
			CITY OF CLEARWATER ENGINEERING DEPARTMENT WATER DETAILS	INDEX NO. 402	PAGE NO. 2 of 4
			WATER VALVE BOX CONCRETE PAD PLAN VIEW	LATEST REVISION	2/22/2016



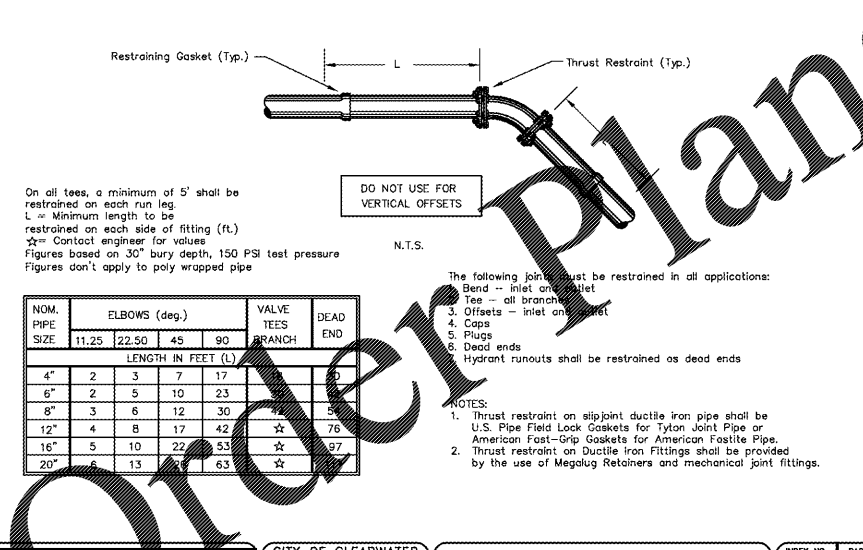
			CITY OF CLEARWATER ENGINEERING DEPARTMENT WATER DETAILS	INDEX NO. 402	PAGE NO. 3 of 4
			TYPICAL FIRE HYDRANT SETTING PLAN VIEW	LATEST REVISION	2/22/2016



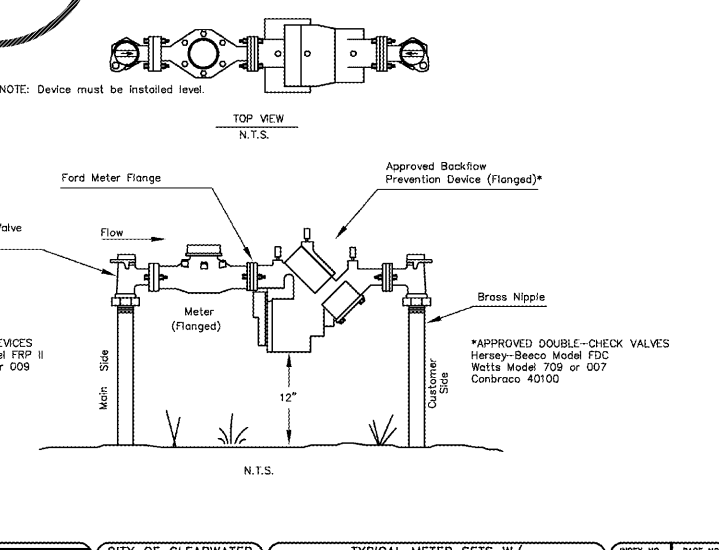
			CITY OF CLEARWATER ENGINEERING DEPARTMENT WATER DETAILS	INDEX NO. 402	PAGE NO. 4 of 4
			TYPICAL FIRE HYDRANT SETTING SECTION VIEW	LATEST REVISION	2/22/2016



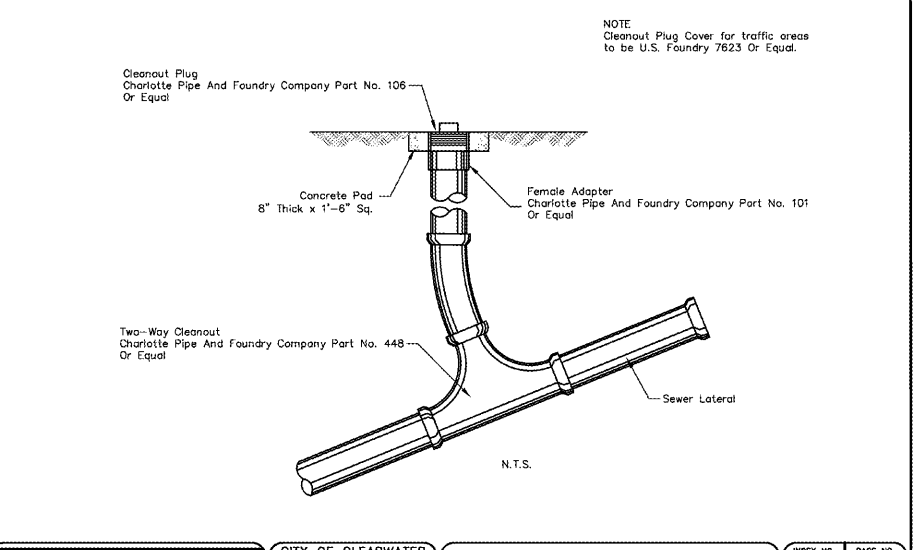
			CITY OF CLEARWATER ENGINEERING DEPARTMENT WATER DETAILS	INDEX NO. 403	PAGE NO. 1 of 2
			PVC PIPE THRUST RESTRAINING	LATEST REVISION	2/22/2016



			CITY OF CLEARWATER ENGINEERING DEPARTMENT WATER DETAILS	INDEX NO. 403	PAGE NO. 2 of 2
			DUCTILE IRON PIPE THRUST RESTRAINING	LATEST REVISION	2/22/2016



			CITY OF CLEARWATER ENGINEERING DEPARTMENT WATER DETAILS	INDEX NO. 405	PAGE NO. 2 of 5
			TYPICAL METER SETS W/ BACKFLOW PREVENTERS 1-1/2" & 2" MODELS	LATEST REVISION	2/22/2016



			CITY OF CLEARWATER ENGINEERING DEPARTMENT SANITARY SEWER DETAILS	INDEX NO. 304	PAGE NO. 1 of 2
			STANDARD CLEANOUT (SANITARY)	LATEST REVISION	2/22/2016

**Bowman CONSULTING**  
 Certificate of Authorization License No. 30482

Bowman Consulting Group, Ltd.  
 One Urban Centre  
 4850 W. Kennedy Blvd.  
 Suite 600  
 Tampa, FL 33609  
 Phone: (813) 509-5403  
 www.bowmanconsulting.com  
 © Bowman Consulting Group, Ltd.

**CITY DETAILS**  
 WAWA  
 COUNTRYSIDE BLVD & U.S. HWY 19  
 CLEARWATER, PINELLAS COUNTY  
 FLORIDA

SEAL  
 ERIC D. JULIANO  
 LICENSE  
 No. 68423  
 STATE OF FLORIDA  
 PROFESSIONAL ENGINEER

**PLAN STATUS**

02/16/17	FDOT ACCESS REVIEW
03/09/17	CITY REVIEW
05/16/17	CITY REVIEW

DATE	DESCRIPTION
JM	JM
DESIGN	CHKD
SCALE	AS SHOWN
JOB NO.	010455-01-002
DATE	04/19/2017
FILE	C-8.0 CITY DETAILS.DWG