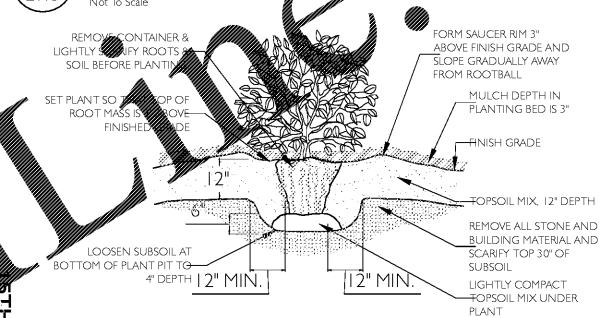


4 TYPICAL STANDARD TREE DETAIL  
L1.0 Not To Scale



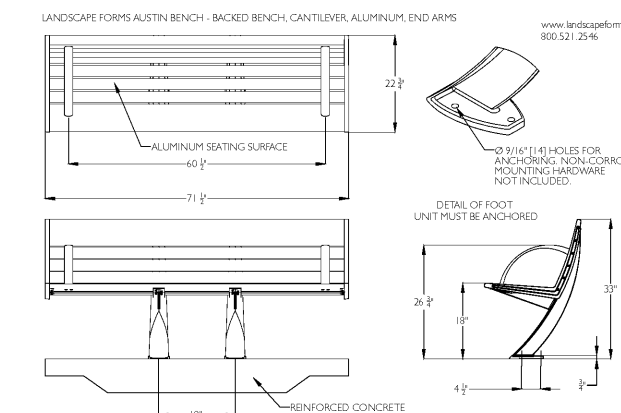
5 TYPICAL CONTAINER SHRUB DETAIL  
L1.0 Not To Scale

- ADHERE TO PLANS FOR ALL PHASES OF WORK.
- PROVIDE LABOR, EQUIPMENT, MATERIALS AND SERVICES NECESSARY TO COMPLETE LANDSCAPE WORK.
- VERIFY ALL UTILITY LOCATIONS IN THE FIELD BEFORE BEGINNING WORK. REPAIR DAMAGED UTILITIES TO OWNER'S SATISFACTION AT NO ADDITIONAL COST.
- VERIFY QUANTITIES ON PLAN BEFORE PRICING WORK. PROVIDE UNIT PRICES FOR ALL PLANT MATERIAL WITH PRICING.
- ALL MATERIALS ARE SUBJECT TO APPROVAL OF THE LANDSCAPE ARCHITECT AND OWNER AT ANY TIME.
- PROVIDE, PLACE AND SPREAD TOPSOIL WHICH IS FREE OF WEEDS, SEEDS, GRASSES, DEBRIS, AND OTHER SUBSTANCES HARMFUL TO PLANT GROWTH; LESS THAN 30% SILT; TO DEPTHS SHOWN OR MINIMUM 4" DEPTH; APPROVED BY LANDSCAPE ARCHITECT.
- PREPARE ALL TOPSOIL MIX USED IN TREE AND SHRUB PITS AND IN GROUNDCOVER BEDS IN THE FOLLOWING PROPORTIONS:  
4 PARTS TOPSOIL AS SPECIFIED  
2 PARTS DECOMPOSED ORGANIC MATTER  
2 PARTS SAND
- PREMIX SOIL BEFORE PLACING IN BED OR PIT. PLACE AND SPREAD MINIMUM 6" DEPTH OF TOPSOIL MIX IN ALL SHRUB BEDS.
- FINE GRADE TO PROVIDE ADEQUATE SURFACE DRAINAGE AWAY FROM BUILDING AND TO PREVENT PONDING.
- STAKE PLANT LOCATIONS FOR APPROVAL BY THE LANDSCAPE ARCHITECT BEFORE INSTALLATION. ADJUST STAKED LOCATIONS AS DIRECTED.
- PROVIDE AND INSTALL TREES, SHRUBS, GROUNDCOVER, SEED AND SOD AS SHOWN. ALL PLANT MATERIAL SHALL MEET OR EXCEED SIZE STANDARDS SET FORTH IN 'AMERICAN STANDARD FOR NURSERY STOCK,' ANSI Z60.1-1996. MATERIAL SHALL CONFORM TO STATE AND FEDERAL REQUIREMENTS FOR INSECT AND DISEASE CONTROL. MAIN LEADERS OF ALL TREES SHALL REMAIN INTACT.
- CONTRACTOR IS RESPONSIBLE FOR PROVIDING ADEQUATE TREE PIT DRAINAGE. INADEQUATE DRAINAGE IS DEFINED BY THE FOLLOWING: FLOOD EMPTY TREE PIT TO LEVEL OF SURROUNDING SOIL. IF WATER FAILS TO PERCOLATE OUT WITHIN 24-HOUR PERIOD, DRAINAGE IS INADEQUATE.
- MULCH PLANT PITS AND PLANTING BEDS WITH SHREDDED PINEBARK MULCH/PINE STRAW TO THE DEPTH INDICATED ON THE DRAWINGS AND DETAILS, OR A MINIMUM 3" DEPTH.
- REMOVE FROM SITE ANY PLANT MATERIAL WHICH TURNS BROWN OR DEFOLIATES WITHIN FIVE (5) DAYS AFTER PLANTING. REPLACE IMMEDIATELY WITH APPROVED SPECIFIED MATERIAL.
- MAINTAIN ALL PLANT MATERIAL AND LAWN AREAS UNTIL SUBSTANTIAL COMPLETION, UNLESS OTHERWISE SPECIFIED. (MAINTENANCE INCLUDES WATERING, SPRAYING, WEEDING, MULCHING, STRAIGHTENING, MOWING, FERTILIZING, ETC. AS SPECIFIED).
- GUARANTEE ALL MATERIAL AND WORKMANSHIP FOR A PERIOD OF ONE (1) YEAR.
- INSTALL ALL PLANT MATERIALS IN ACCORDANCE WITH LOCAL CODES AND ORDINANCES.

NOTE: ALL PLANT MATERIAL LISTED ON LANDSCAPE PLAN IS LISTED ON TABLE 1.06.301 OF THE CITY OF BIRMINGHAM LANDSCAPE ORDINANCE AS A XERISCAPE SPECIES TO MEET THE IRRIGATION REQUIREMENT.

PLANT SCHEDULE						
TREES	QTY	COMMON NAME	BOTANICAL NAME	CONTAINER	SIZE	NOTES
	6	WILLOW OAK	QUERCUS PHELLO	B & B	2.5" CAL	FULL HEAD; STRONG CENTRAL LEADER
	4	NYSSA SYLVATICA	BLAU TUPEL	B & B	2.5" CAL	FULL HEAD; STRONG CENTRAL LEADER
SHRUBS	QTY	COMMON NAME	BOTANICAL NAME	SIZE	SPACING	
	87	HOLLY SMARTHUS	OSMANTHUS HETEROPHYLLUS	3 GAL	36" o.c.	
GROUND COVER	QTY	COMMON NAME	BOTANICAL NAME	CONT	SPACING	
	278	PARSON'S JUNIPER	JUNIPERUS SQUAMATA 'PARSONII'	1 GAL	30" o.c.	
	16	CYNODON TRANSVAALENSIS	CYNODON TRANSVAALENSIS X C. DACTYLON	SQ. FT.		

1 PLANT SCHEDULE  
L1.0 Not To Scale



2 BENCH DETAIL  
L1.0 Not To Scale

ALL TREES SHALL BE SELECTED BY CONTRACTOR OR PRE-TAGGED BY LANDSCAPE ARCHITECT AT ONE OF THE FOLLOWING LISTED NURSERIES. ALTERNATE SOURCES MUST FIRST BE REVIEWED AND APPROVED BY LANDSCAPE ARCHITECT. ALL TREES ARE SUBJECT TO REVIEW BY LANDSCAPE ARCHITECT AT ANY TIME DURING THE COURSE OF THE WORK.

3 TREE SELECTION  
L1.0 Not To Scale

6 PLANTING NOTES  
L1.0 Not To Scale

Tree Requirements				
Location	Trees Required	Provided	Protected To Remain	Notes
15th Street South	Trees: 5 (1 Tree, 30' O.C.)	Trees: 4	Trees: 0	Per Parkside District Design Guidelines
4th Avenue South	Trees: 4 (1 Tree, 40' O.C.)	Trees: 0	Trees: 4	Per Parkside District Design Guidelines
Interior Parking	Trees: 6 (1 Tree per 8 Spaces)	Trees: 6	Trees: 0	48 Interior Spaces, Birmingham City Ordinance

# OVERALL LANDSCAPE PLAN

THIS DRAWING IS THE PROPERTY OF LORBERBAUM McAVAR ODREZIN PARTNERS, LLC AND IS NOT TO BE REPRODUCED, COPIED, OR ALTERED IN WHOLE OR IN PART WITHOUT THE APPROVAL OF LORBERBAUM McAVAR ODREZIN PARTNERS.

2028th Street South  
Birmingham, Al 35233  
205.807.6330  
www.lmopartners.com

A LANDSCAPE DEVELOPMENT FOR  
**Buffalo Wild Wings**  
4th Avenue South  
Birmingham, Alabama

PROJ. CODE	17-034
DRAWN BY	DML
REVIEWED BY	ADO
<b>ISSUED</b>	
DATE	DESCRIPTION
12-8-17	100% FOR SUBMITTAL

REVISIONS

CONSTRUCTION DOCUMENTS

SHEET  
L1.0