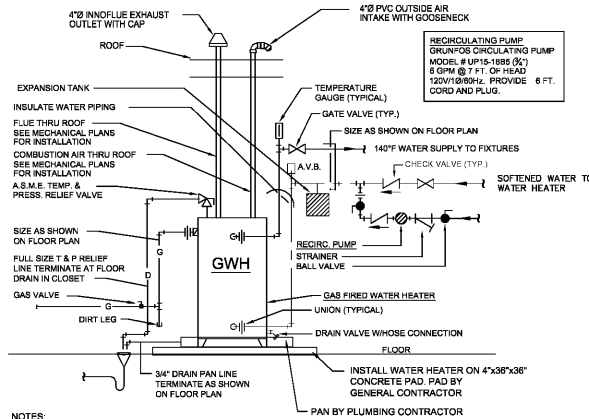


TMV	THERMOSTATIC MIXING VALVE WITH STRAIGHT STOPS AND CHECK VALVES	VALVE: "LAWLER" MODEL # 3500-SC1 INSTALL WATTS RPZ MODEL # 009-QT
-----	--	--

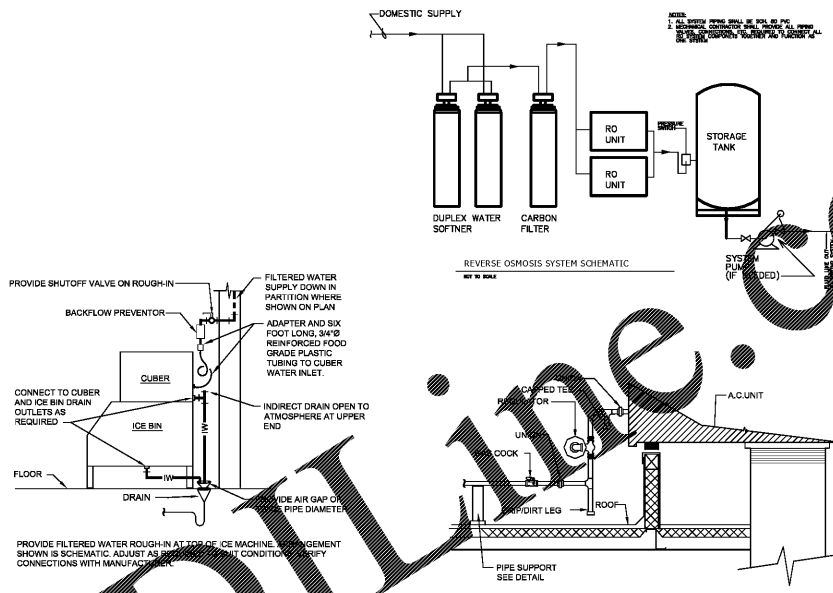
ORDER THE THERMOSTATIC MIXING VALVE WITH MAXIMUM TEMPERATURE FACTORY PRE SET AT 120°F.

1B ECOLAB WATER SUPPLY DETAIL N.T.S.



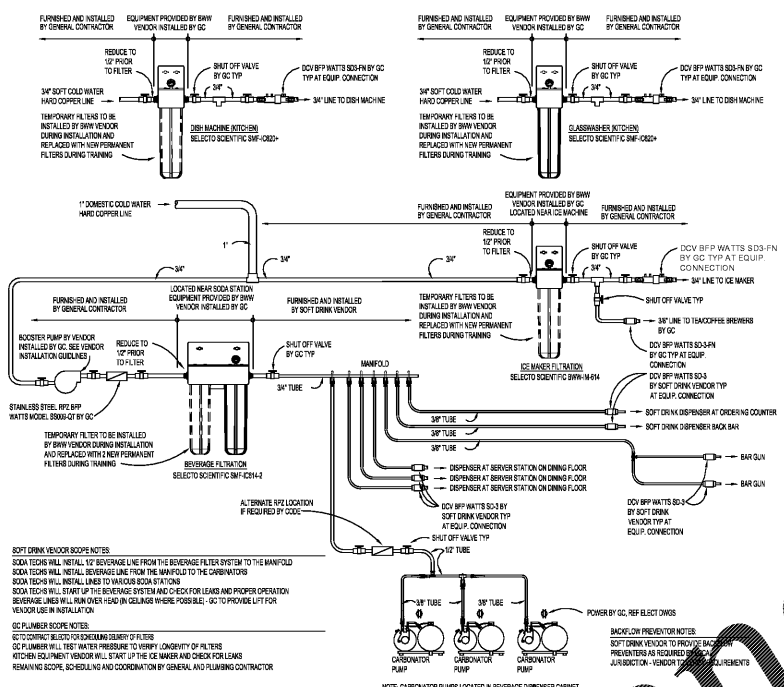
- NOTES:
1. PROVIDE AND INSTALL CONDENSATE DRAIN PIPING FROM WATER HEATER VENT PIPING PER MANUFACTURER'S RECOMMENDATIONS.
 2. PROVIDE AND INSTALL EXHAUST AND COMBUSTION AIR PIPING AS REQUIRED PER MANUFACTURER'S SPECIFICATIONS.
 3. CONTACT MANUFACTURER FOR START UP AND TO CONFIRM WATER HEATER HAS BEEN PROPERLY INSTALLED.

3B WATER HEATER PIPING DETAIL N.T.S.

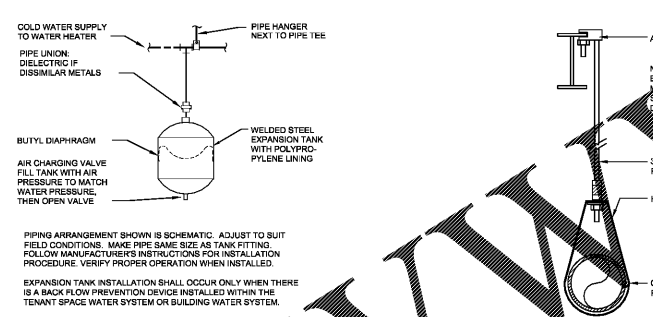


5B ICE MACHINE SUPPLY N.T.S.

6B RTU GAS CONNECTION N.T.S.

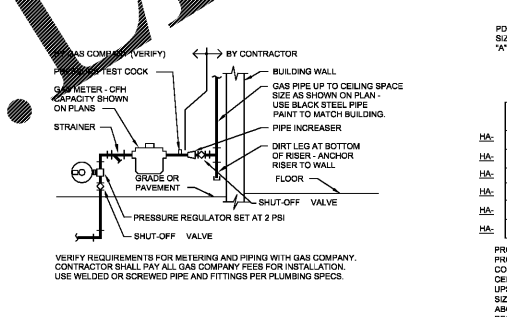


1D WATER FILTER PIPING SCHEMATIC N.T.S.



3C EXPANSION TANK N.T.S.

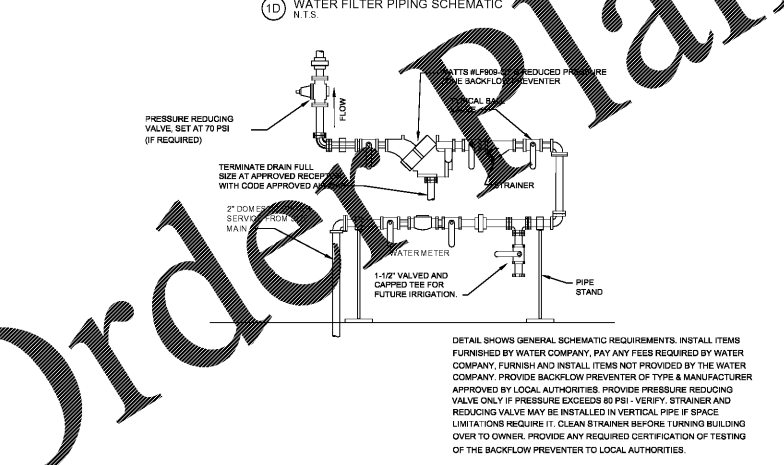
4C PIPE HANGER DETAIL N.T.S.



5C GAS METER DETAIL N.T.S.

6C HAMMER ARRESTERS N.T.S.

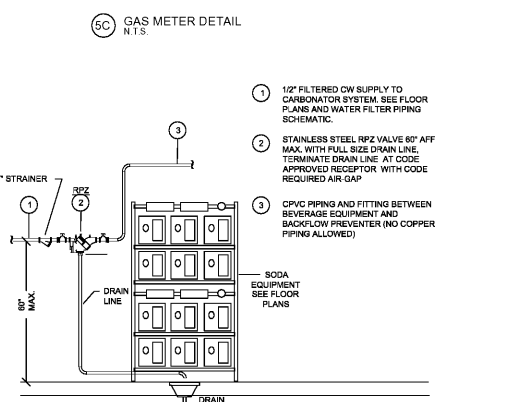
PDI SIZE	PIPE SIZE	FITTURE UNIT LOAD	FIXTURE UNIT TABULATION	
			COLD	HOT
1/2"	1/2"	1-11	10	-
3/4"	3/4"	12-32	5	-
1"	1"	33-60	5	-
1-1/4"	1-1/4"	81-113	1.5	1.5
1-1/2"	1-1/2"	114-154	3	3
2"	2"	154-330	2	2



1E WATER SERVICE ENTRANCE N.T.S.

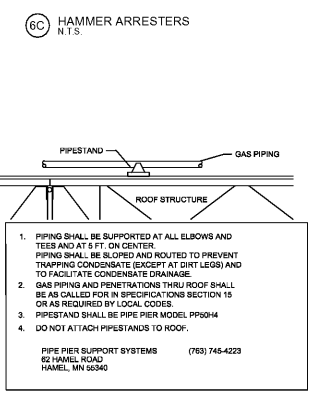
6E TRAP PRIMER DETAIL (TP-1) N.T.S.

4E ROOF PENETRATION N.T.S.

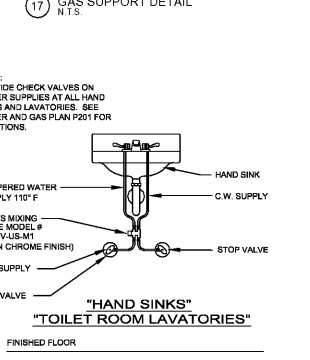


13 BEVERAGE SYSTEM B.F.P. N.T.S.

6E WATER SOFTENER N.T.S.



17 GAS SUPPORT DETAIL N.T.S.



6E MV-1 MIXING VALVE N.T.S.

CERTIFICATION

PRANGER GROUP INC.
PROJECT MANAGER

PROJECT NUMBER
5748

BUFFALO WILD WINGS
BIRMINGHAM
1416 4th AVENUE SOUTH,
BIRMINGHAM, AL 35233



NO	DESCRIPTION	DRAWING ISSUE										
		DATE	1	2	3	4	5	6	7			

Drawing Title
WATER & GAS DETAILS

P202