

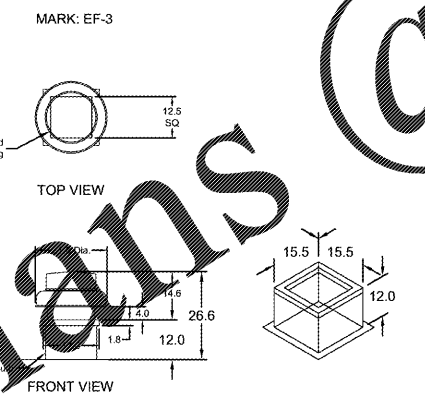
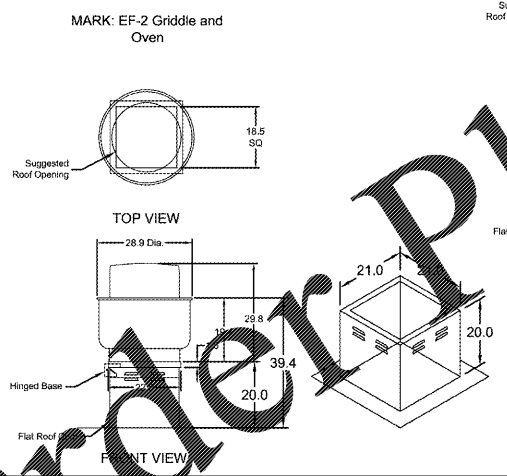
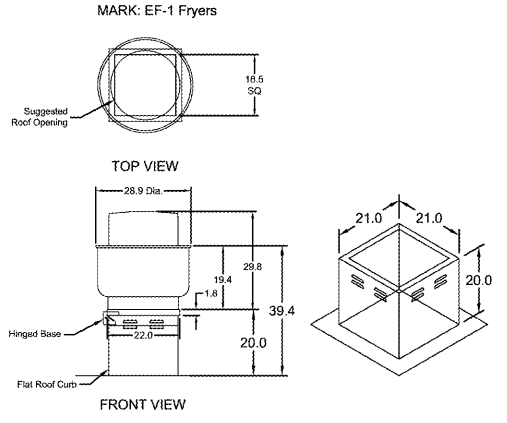
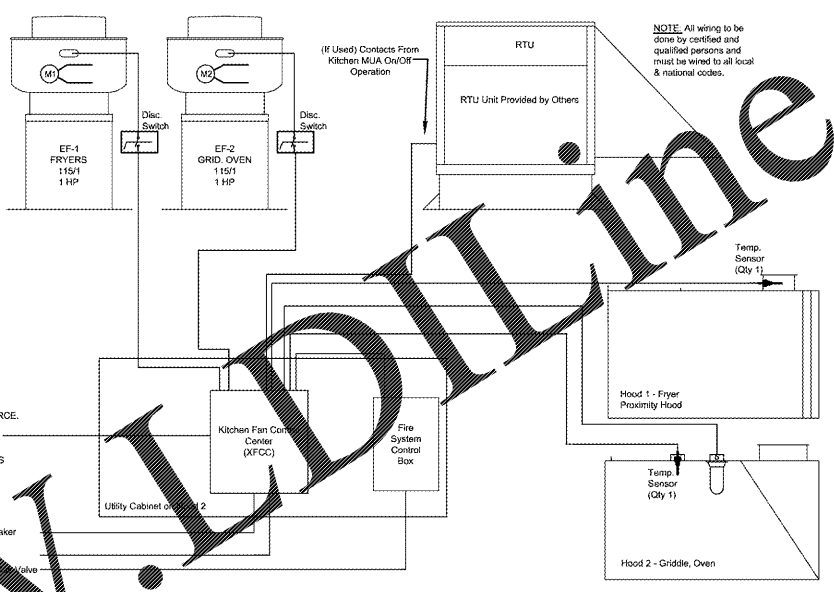
Direct Drive Upblast Centrifugal Roof Exhaust Fan

MARK INFORMATION			FAN INFORMATION					MOTOR INFORMATION						
QTY	MARK	MODEL	VOLUME (CFM)	EXTERNAL SP (IN WG)	TOTAL SP (IN WG)	FAN RPM	OPERATING POWER (HP)	WEIGHT (LB.)	SIZE (HP)	V/C/P	ENCLOSURE	MOTOR RPM	WINDINGS	NEC FLA*
1	EF-1 Fryers	XRUD-141-VG	1,800	1	1	1,439	0.57	114	1	115/60/1	OP	1725	1	16
1	EF-2 Griddle and Oven	XRUD-141-VG	2,100	1	1	1,546	0.72	114	1	115/60/1	OP	1725	1	16
1	EF-3	XREB-091-4	600	0.75	0.75	1,435	0.06	46	0.25	115/60/1	OP	1725	1	

\*NEC FLA - Based on tables 150 or 148 of National Electrical Code 2002. Actual motor FLA may vary, for sizing thermal overload, consult factory.

EF-1 Fryers - SELECTED OPTIONS AND ACCESSORIES	
UL/cUL 762 Listed - "Power Ventilators for Rest. Exh. Appliances"	
Switch, NEMA-3R, Toggle, Shipped with Unit	
Roof Curb-Galv., GPFV-22-G20, Under Sized 1 in. Total	
Hinged Base (Attached)	
Curb Seal (Attached)	
Grease Trap (PN 475538)	
Clean-out Port	
EF-2 Griddle and Oven - SELECTED OPTIONS AND ACCESSORIES	
UL/cUL 762 Listed - "Power Ventilators for Rest. Exh. Appliances"	
Switch, NEMA-3R, Toggle, Shipped with Unit	
Roof Curb-Galv., GPFV-22-G20, Under Sized 1 in. Total	
Hinged Base (Attached)	
Curb Seal (Attached)	
Grease Trap (PN 475538)	
Clean-out Port	
EF-3 - SELECTED OPTIONS AND ACCESSORIES	
UL/cUL 705 Listed - "Power Ventilators"	
Switch, NEMA-1, Toggle, Shipped with Unit	
Roof Curb-Galv., GPI-17-G12, Under Sized 1.5 in. Total	
Damper Shipped Loose, WD-100-PB-10X10, Gravity Operated, Not Coated	
Solid State Speed Control, 6 Amp, Shipped Loose	

General System Wiring Overview

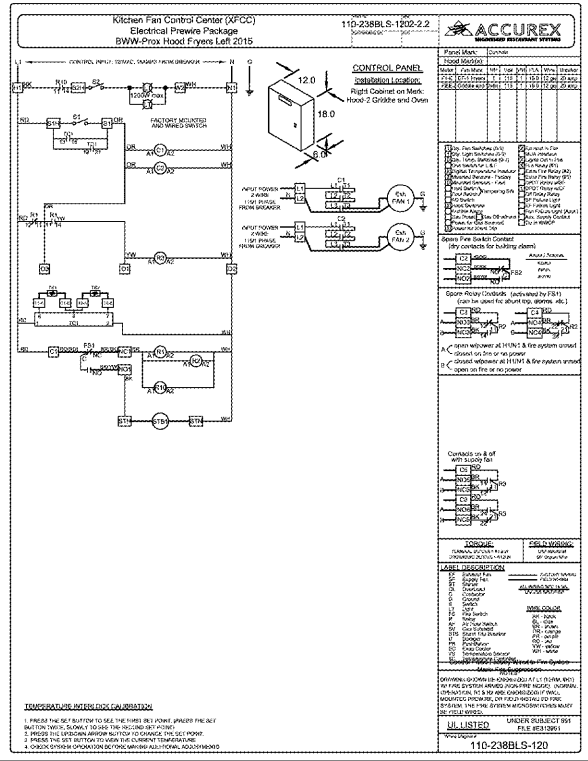


CONTROL INFORMATION		ELECTRICAL CONTROL PACKAGE		USER INTERFACE		FANS CONTROLLED				
MARK	MODE	LOCATION	TYPE	LOCATION	MARK	TYPE	VOLT	PHASE	HP	
CONTROLS	EFCC	CABINET - RIGHT END OF HOOD-2 GRIDDLE AND OVEN	SWITCHES	CABINET - RIGHT END OF HOOD-2 GRIDDLE AND OVEN	EF-1 FRYERS	EXHAUST	115	1	1	
					EF-2 GRIDDLE AND OVEN	EXHAUST	115	1	1	

CONTROL FEATURES:  
 CONTROL PANEL ENCLOSURE - 16 GA 300 SERIES STAINLESS STEEL ENCLOSURE (NEMA-1) - DIMENSIONS 12 X 18 X 6  
 STARTERS PROVIDED IN CONTROL PANEL - QTY 2  
 2 POSITION LIGHT SWITCH - QTY 2  
 2 POSITION ON SWITCH - QTY 2  
 INTEGRATED FAN/TEMPERATURE INTERLOCK SYSTEM  
 -FACTORY MOUNTED EXHAUST TEMPERATURE SENSORS - QTY 2  
 -COMPLIES WITH INTERNATIONAL MECHANICAL CODE 2006 SECTION 507.2.1.1  
 TURN ON EXHAUST IN FIRE  
 DPDT RELAY WITH SUPPLY - QTY 1  
 LIGHTS OUT IN FIRE  
 POWER FOR SHUNT TRIP  
 CONTROL PANEL FACTORY WIRED TO FIRE SYSTEM  
 SPECIAL DESIGN REQUESTS  
 SDR#K1300229 - CHANGE WIRING DIAGRAM

- FIELD WIRING:
- POWER FOR CONTROLS AND LIGHTS - 115 VAC 20 AMPS FROM REMOTE BREAKER (TERMINALS H1, N1)
  - POWER FOR EF-1 FRYER FAN - 115 VAC 20 AMPS FROM REMOTE BREAKER (TERMINALS L1, L2)
  - POWER TO EF-1 FRYER FAN - 115 VAC 20 AMPS FROM CONTACTOR C1 (CONTACTOR TERMINAL T3, TERMINAL BLOCK L2)
  - POWER FOR EF-2 GRIDDLE AND OVEN FAN - 115 VAC 20 AMPS FROM REMOTE BREAKER (TERMINALS L1, L2)
  - POWER TO EF-2 GRIDDLE AND OVEN FAN - 115 VAC 20 AMPS FROM CONTACTOR C2 (CONTACTOR TERMINAL T3, TERMINAL BLOCK L2)
  - RTU INTERFACE - 18/2 WIRE (TERMINAL C5, N05)
  - TEMPERATURE SENSOR 2 IN FRYER HOOD - 18/2 THERMOSTAT WIRE (TERMINALS T2-A, T2-B)
  - SHUNT TRIP BREAKER - TO FIELD PROVIDED SHUNT TRIP BREAKER (TERMINALS STH, STN) (120 VAC)

ALL FIELD WIRING TO BE PROVIDED AND INSTALLED BY ELECTRICAL CONTRACTOR  
 HOOD LIGHT BULBS TO BE PROVIDED AND INSTALLED BY ELECTRICAL CONTRACTOR



PROJECT: 10/26/2015 BWW-PROX HOOD FRYERS RIGHT 2016  
 DRAWING: EF-1 FRYERS, EF-2 GRIDDLE AND OVEN, EF-3, UL NSF  
 ACCUREX - W/ IA  
 CHRIS ANDERSON  
 CHRIS.ANDERSON@ACCUREX.COM  
 (719)551-8173

ACCUREX



PROJECT NUMBER 5748

BUFFALO WILD WINGS  
 BIRMINGHAM  
 1416 4th AVENUE SOUTH,  
 BIRMINGHAM, AL 35233



NO	DESCRIPTION	DATE
1		
2		
3		
4		
5		
6		
7		

Drawing Title  
 HOOD DETAILS

H102

THIS SHEET IS FOR INFORMATION ONLY