



PROJECT NUMBER 5748

BUFFALO WILD WINGS BIRMINGHAM 1416 4th AVENUE SOUTH, BIRMINGHAM, AL 35233



DRAWING ISSUE

NO	DATE
1	
2	
3	
4	
5	
6	
7	

Drawing Title HOOD DETAILS

H101

BWW-PROX HOOD FRYERS RIGHT PROJECT 10/26/2015 DRAWING HOOD-1 FRYERS, HOOD-2 GRIDDLE AND OVEN, FIRE SUPPRESSION

ACCUREX - W/ I/A CHRIS ANDERSON CHRIS.ANDERSON@ACCUREX.COM (715)651-8173

ACCUREX logo

HOOD INFORMATION																	
HOOD NO.	MARK	MODEL	HOOD DIMENSIONS (IN.)			HOOD CONSTR.	HOOD TEMP RATING	TOTAL CFM	EXHAUST COLLAR(S)				SUPPLY		SECTION LOCATION		
			LENGTH	WIDTH	HEIGHT				WIDTH	LENGTH	DIA.	CFM	S.P.	MUA CFM		AC CFM	WEIGHT LBS.
1	HOOD-1 FRYERS	XXEP-126-S	126		FRT 12 BACK 36	430 SS WHERE EXPOSED 430 SS WHERE EXPOSED	600 DEG F	1800	10	17		1800	0.44			258.3	SINGLE
2	HOOD-2 GRIDDLE AND OVEN	XXEW-108-S	108	48	24		600 DEG F	2100	10	20		2100	0.558	600		315	SINGLE

HOOD INFORMATION																	
HOOD NO.	MARK	LIGHTING DETAILS			GREASE FILTRATION DETAILS			UTILITY CABINET(S)			CONTROLS						
		FIXTURE TYPE	BULB / LAMP INFO	QTY	FOOT CANDLES	TYPE / MODEL	MATERIAL	QTY	SIZE (IN.)	LOCATION	FIRE SYSTEM	TYPE	SIZE	MODEL	INTERFACE		
1	HOOD-1 FRYERS					X-TRACTOR	STEEL	4	16								
2	HOOD-2 GRIDDLE AND OVEN	INCANDESCENT (GLOBE)	100W A19 (BULBS NOT INCL.)	5	48.13	X-TRACTOR	STAINLESS STEEL	3	16	20	RIGHT	ANSUL R102	9	XFCC			SWITCHES

SUPPLY PLENUM INFORMATION																
HOOD NO.	MARK	POS.	TYPE	SIZE (IN.)		INSULATED DAMPER(S)	LED LIGHT(S)	TOTAL CFM	COLLARS			S.P.	VEL.			
				L	H				TYPE	MOUNTING	QTY			W	L	DIA.
1	ASP FOR HOOD-1 FRYERS	FRONT	ASP	126	14	10	NO	600	MUA	FACTORY	2	6	10	300	0.0146	720
2	HOOD-2 GRIDDLE AND OVEN	FRONT	ASP	128	14	10	NO	600	MUA	FACTORY	2	6	10	300	0.0141	720

HOOD-1 FRYERS - HOOD OPTIONS
 UL 710 LISTED W/ OUT EXHAUST FIRE DAMPER - UL #R25625
 BACK INTEGRAL AIR SPACE - 3 IN WIDE
 53 IN HIGH CEILING ENCLOSURES - FRONT LEFT RIGHT - FIELD INSTALLED
 FACTORY MOUNTED EXHAUST COLLAR(S)
 PERFORMANCE ENHANCING LIP (PEL) TECHNOLOGY
 STANDING SEAM CONSTRUCTION FOR SUPERIOR STRENGTH

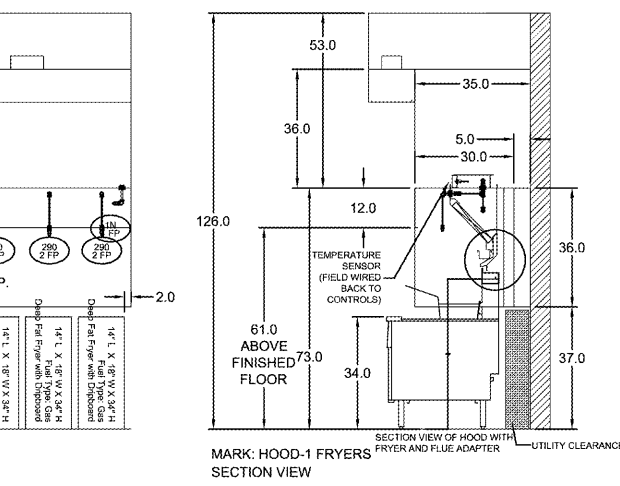
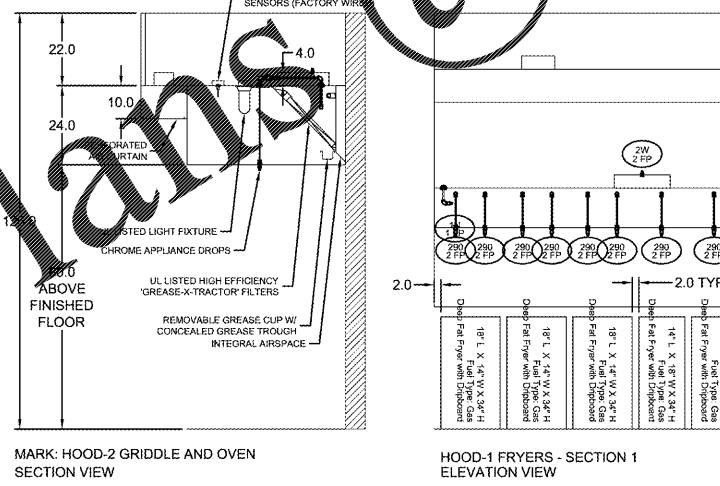
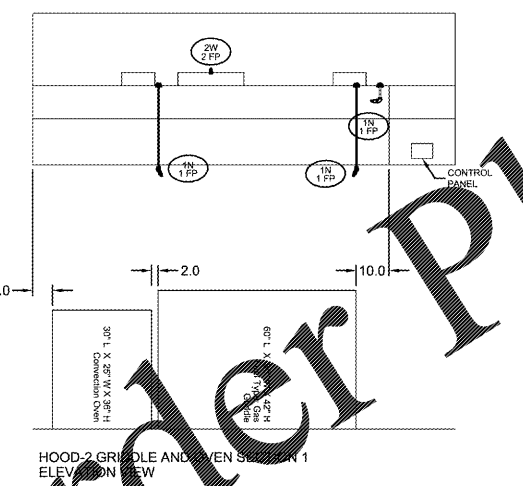
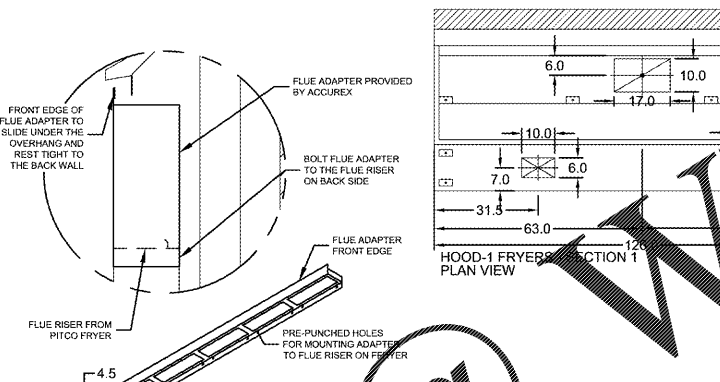
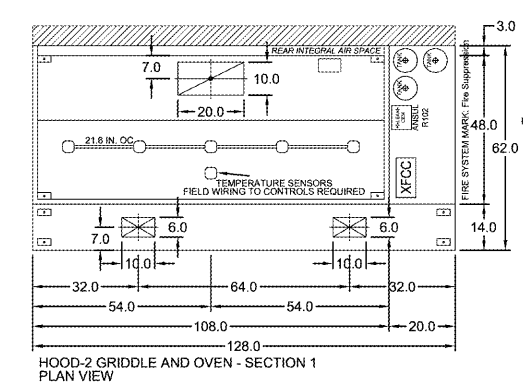
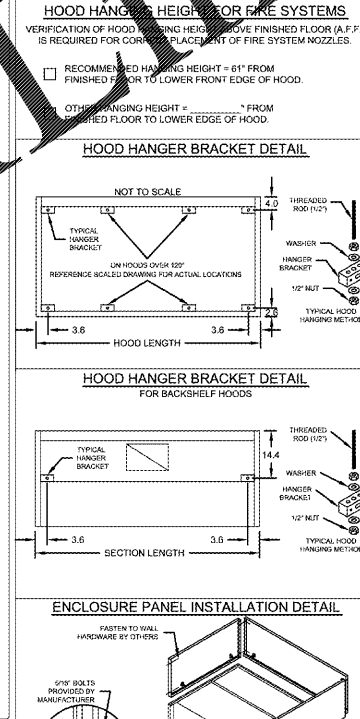
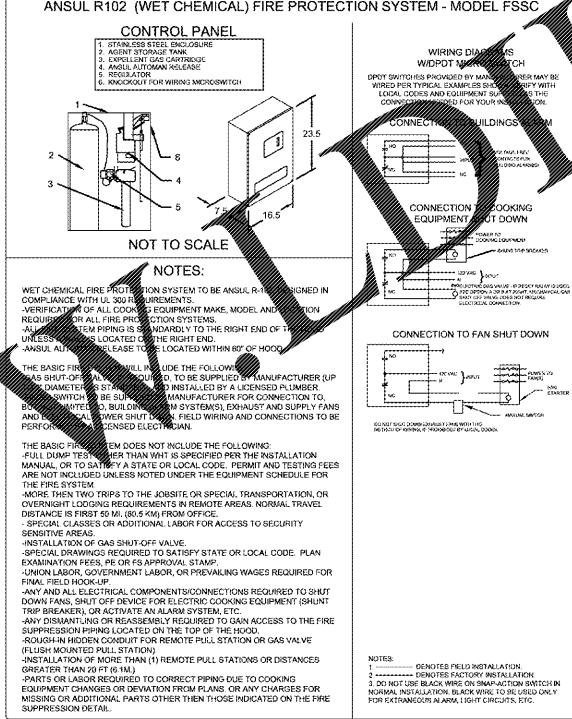
HOOD-2 GRIDDLE AND OVEN - HOOD OPTIONS
 UL 710 LISTED W/ OUT EXHAUST FIRE DAMPER - UL #R25625
 BACK INTEGRAL AIR SPACE - 3 IN WIDE
 22 IN HIGH CEILING ENCLOSURES - FRONT LEFT RIGHT - FIELD INSTALLED
 FACTORY MOUNTED EXHAUST COLLAR(S)
 PERFORMANCE ENHANCING LIP (PEL) TECHNOLOGY
 STANDING SEAM CONSTRUCTION FOR SUPERIOR STRENGTH

HOOD-1 FRYERS - SPECIAL DESIGN REQUESTS
 SDR #K1400364 - FLUE BYPASS, EXTEND ENCLOSURE HEIGHT AND LENGTH 10"6" CEILING
 SDR #K1400364-1 - BWW BACKSPASH

HOOD-2 GRIDDLE AND OVEN - SPECIAL DESIGN REQUESTS
 SDR #K1100280 - STD. PROTOTYPE DUCTWRAP PACKAGE

FIRE SYSTEM INFORMATION									
MARK	MODEL	LOCATION	FLOW POINTS	PCU	SUPPLY LINE	DETECTION			
FIRE SUPPRESSION	ANSUL R-102 WET CHEMICAL	CABINET - RIGHT END OF HOOD-2 GRIDDLE AND OVEN	29 UTILIZED 33 AVAILABLE		CONTINUOUS	FUSIBLE LINK			

FIRE SYSTEM OPTIONS AND ACCESSORIES
 FULL INSTALLATION (INCLUDES PRE-PIPED HOOD(S) WITH DETECTION AND FACTORY COORDINATED INSTALL)
 CHROME SLEEVES FOR FACTORY PROVIDED APPLIANCES DROPS - INCLUDED
 METAL BLOW-OFF CAPS - INCLUDED
 FIRE SYSTEM PERMIT - REQUIRED - FEE INCLUDED
 ADDITIONAL TRIP FOR PRETEST - INCLUDED
 GAS VALVE - INCLUDED - MECHANICAL SHUTOFF VALVE, 2 IN. (ANSUL) - PART# 55610
 HOOD SUPPRESSION AGENT - INCLUDED - 9 GAL. - [(3) 3.0 TANK(S)]
 REMOTE PULL STATION - STANDARD - INSTALLATION AT SINGLE POINT OF EGRESS



ALL FIELD WIRING TO BE PROVIDED AND INSTALLED BY ELECTRICAL CONTRACTOR
 HOOD LIGHT BULBS TO BE PROVIDED AND INSTALLED BY ELECTRICAL CONTRACTOR