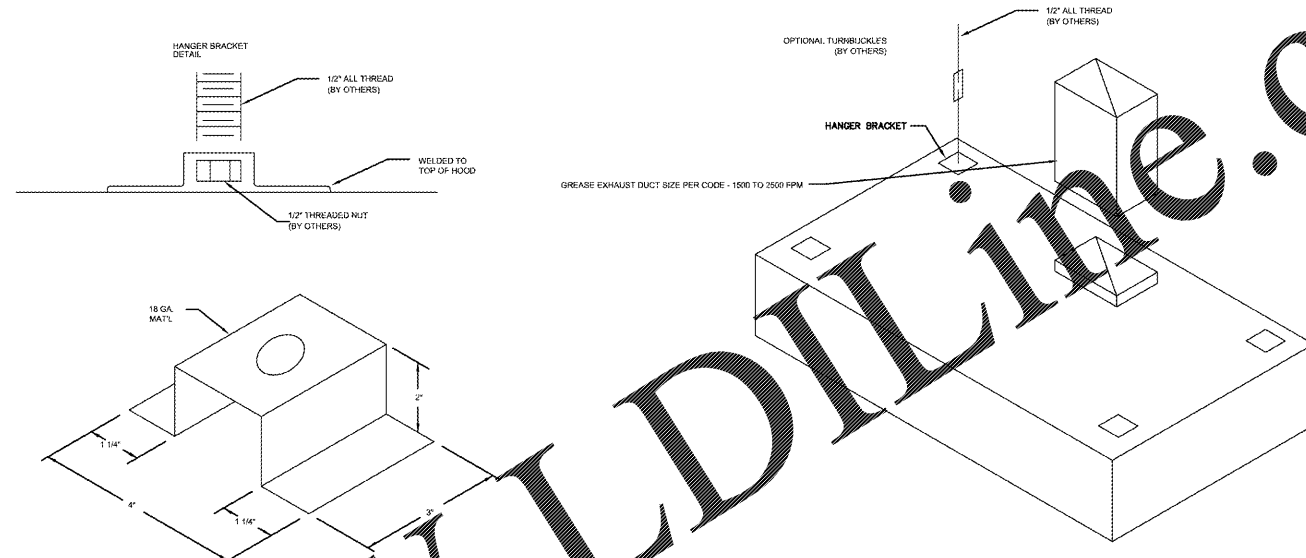
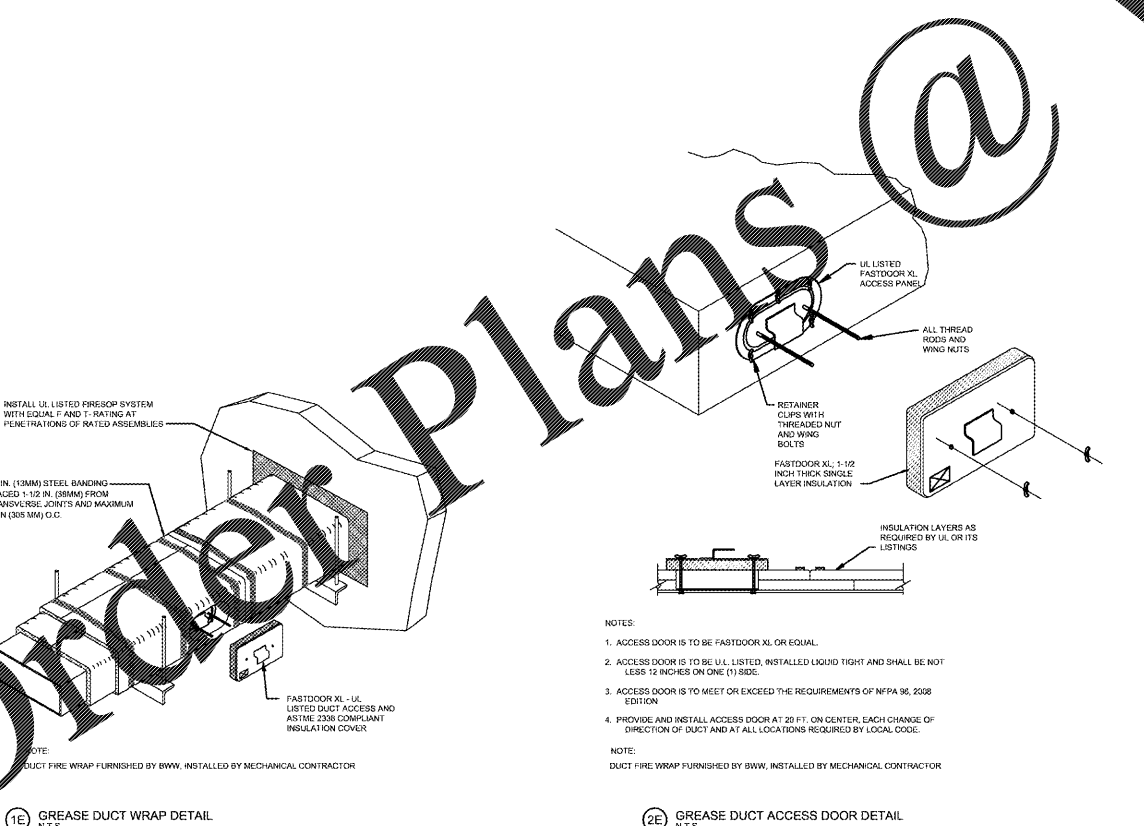


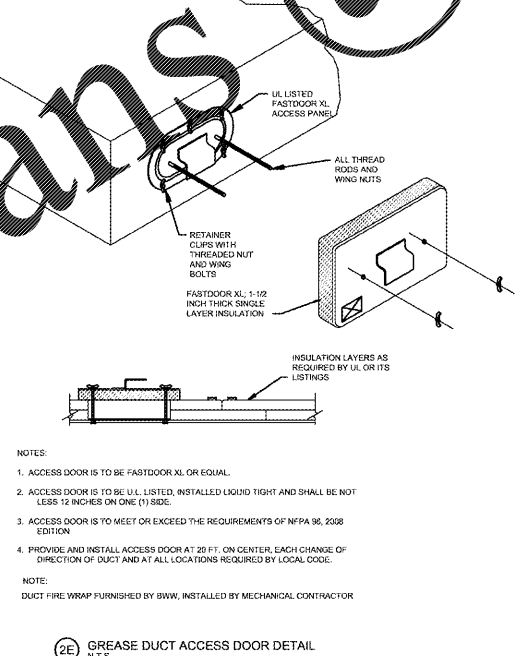
1B HOOD INSTALLATION DETAILS
N.T.S.



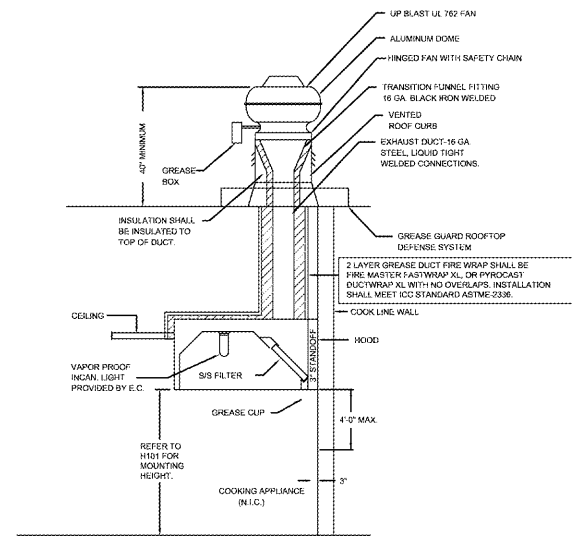
GREASE EXHAUST DUCT SIZE PER CODE - 1500 TO 2500 FPM



1E GREASE DUCT WRAP DETAIL
N.T.S.

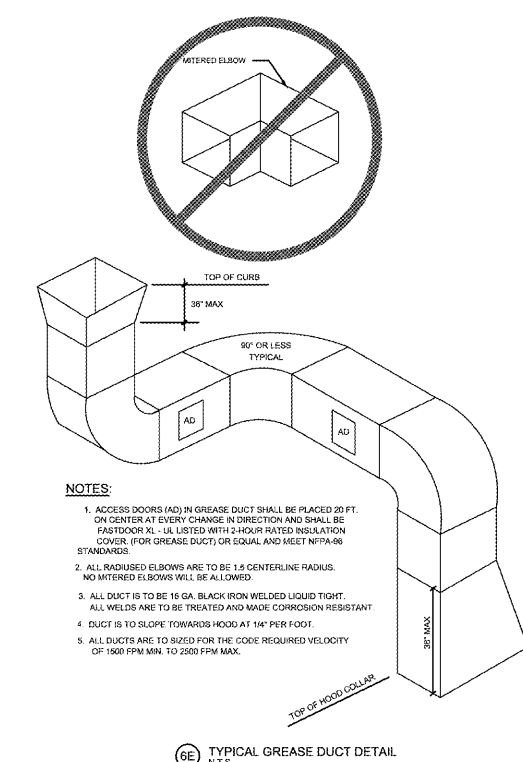


2E GREASE DUCT ACCESS DOOR DETAIL
N.T.S.



NOTE:
DUCT FIRE WRAP FURNISHED BY BWW, INSTALLED BY MECHANICAL CONTRACTOR

4E FIRE RATED CHASE DETAIL
N.T.S.



NOTES:

- ACCESS DOORS (AD) IN GREASE DUCT SHALL BE PLACED 20 FT. ON CENTER AT EVERY CHANGE IN DIRECTION AND SHALL BE FASTDOOR XL - UL LISTED WITH 2-HOUR RATED INSULATION COVER, (FOR GREASE DUCT) OR EQUAL AND MEET NFPA-99 STANDARDS.
- ALL RADIUS ELBOWS ARE TO BE 1.8 CENTERLINE RADIUS. NO MITERED ELBOWS WILL BE ALLOWED.
- ALL DUCT IS TO BE 18 GA. BLACK IRON WELDED LIQUID TIGHT. ALL WELDS ARE TO BE TREATED AND MADE CORROSION RESISTANT.
- DUCT IS TO SLOPE TOWARDS HOOD AT 1/4" PER FOOT.
- ALL DUCTS ARE TO BE SIZED FOR THE CODE REQUIRED VELOCITY OF 1500 FPM MIN. TO 2500 FPM MAX.

6E TYPICAL GREASE DUCT DETAIL
N.T.S.

CERTIFICATION

PRANGER GROUP INC.
PROJECT MANAGER

PROJECT NUMBER
5748

BUFFALO WILD WINGS
BIRMINGHAM
1416 4th AVENUE SOUTH,
BIRMINGHAM, AL 35233



DRAWING ISSUE		DATE
NO.	DESCRIPTION	
1		
2		
3		
4		
5		
6		
7		

Drawing Title
GREASE DUCT DETAILS

M104