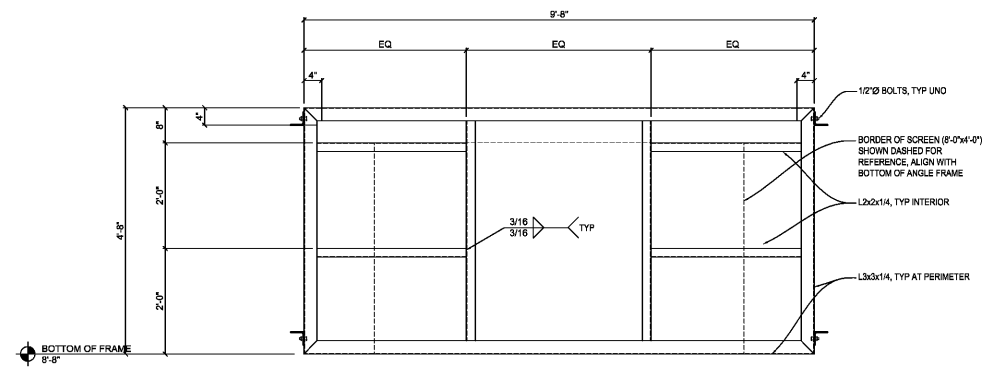


Order Plans @

www.LDILine.com

1 VIDEO SUPPORT FRAMING ELEVATION
3/4" = 1'-0"



2 VIDEO SUPPORT FRAMING ELEVATION
3/4" = 1'-0"

- NOTES:
- PERFORATED METAL PANEL SCREEN NOT SHOWN. SEE ARCH FOR LOCATIONS AND ATTACHMENTS.
 - ALL FIELD WELDS AND BOLTED CONNECTIONS (WITHOUT SLOTTED HOLES) MAY BE SUBSTITUTED WITH SHOP WELDS.
 - FABRICATOR TO SHOP ASSEMBLE SUPPORT FRAMES AS MUCH AS PRACTICAL TO MINIMIZE FIELD WELDING AND ASSEMBLY TIME IN THE FIELD.
 - FABRICATOR TO COORDINATE WITH THE GC ALL SITE CONSTRAINTS WITH REGARD TO SHIPPING, ENTERING THE BUILDING, ERECTION, ETC.
 - GRIND ALL WELDS SMOOTH.

3 VIDEO SUPPORT FRAMING ELEVATION
3/4" = 1'-0"



PROJECT NUMBER
5748

BUFFALO WILD WINGS
BIRMINGHAM
1416 4th AVENUE SOUTH,
BIRMINGHAM, AL 35233



| NO | DESCRIPTION | DATE |
|----|-------------|------|
| 1 | | |
| 2 | | |
| 3 | | |
| 4 | | |
| 5 | | |
| 6 | | |
| 7 | | |

Drawing Title
**FRAMING
DETAILS
(JUMBOTRON)**

A801