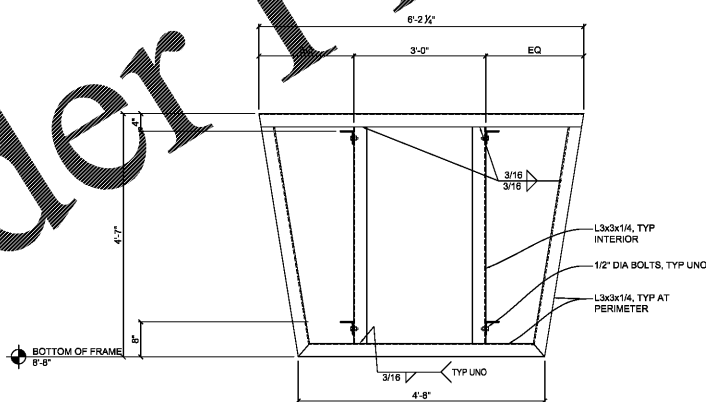
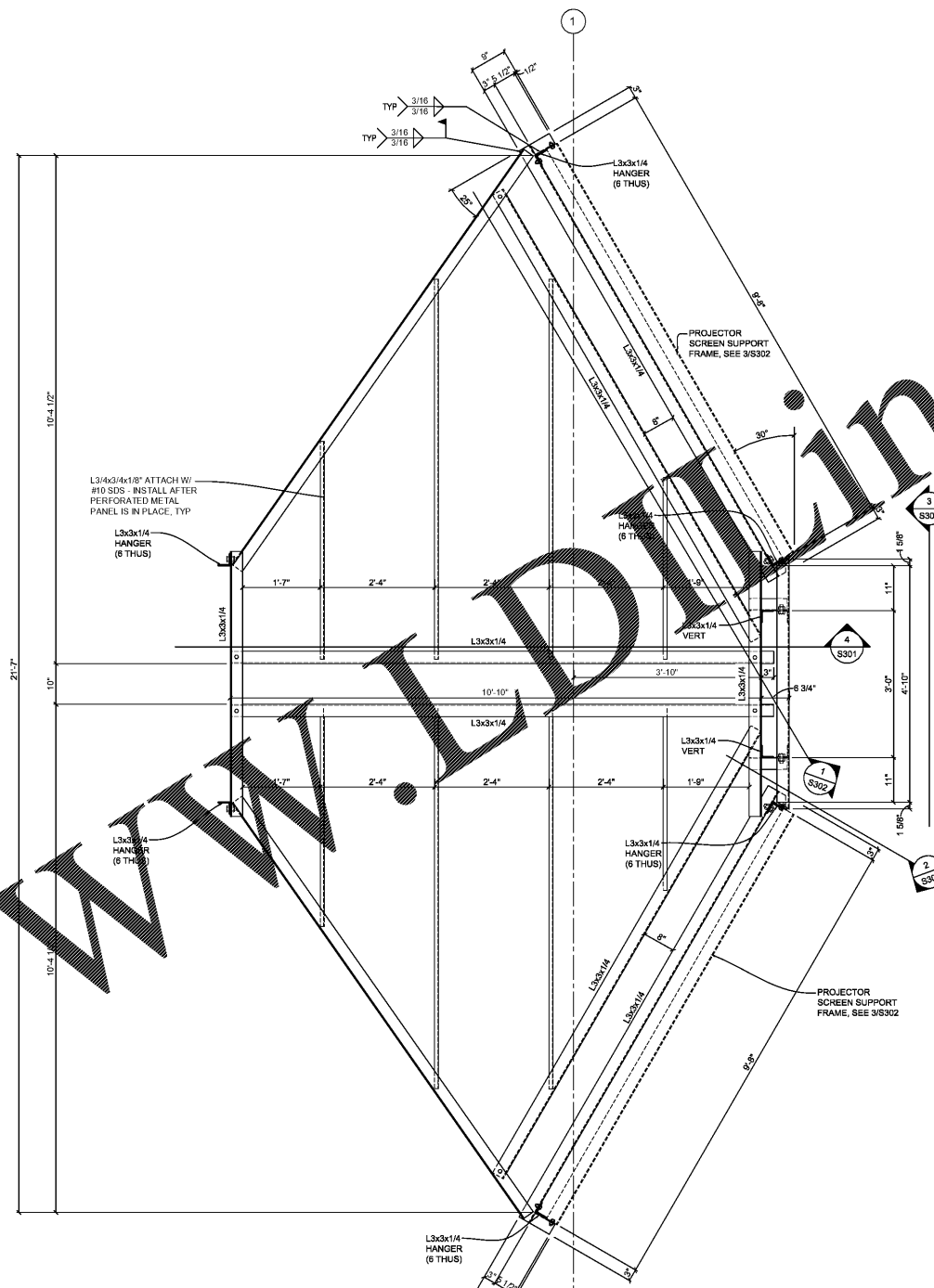


1 VIDEO SUPPORT FRAMING PLAN (HIGH)
3/4" = 1'-0"

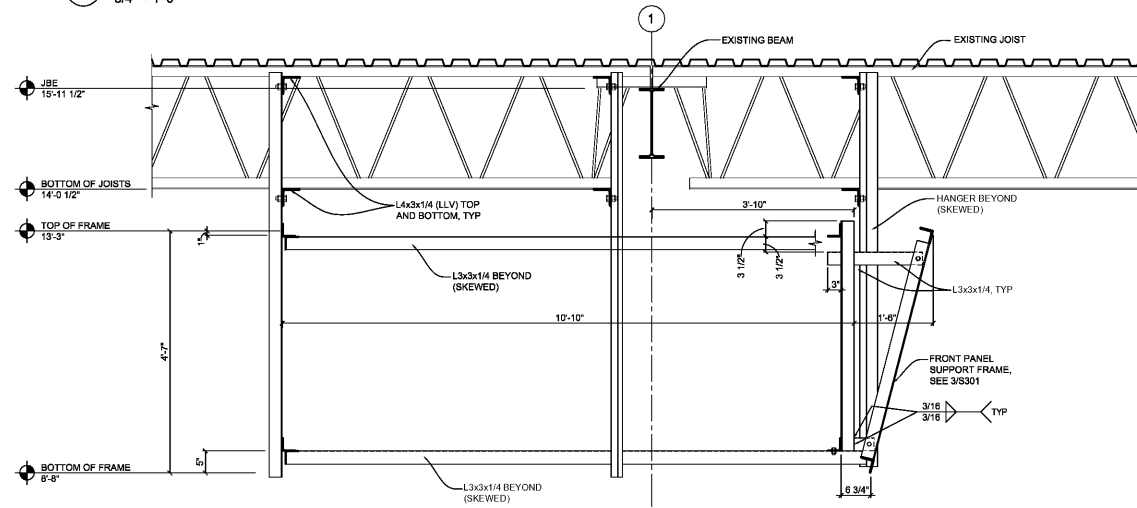
- NOTES:
1. PERFORATED METAL PANEL SCREEN NOT SHOWN, SEE ARCH FOR LOCATIONS AND ATTACHMENTS.
 2. ALL FIELD WELDS AND BOLTED CONNECTIONS (WITHOUT SLOTTED HOLES) MAY BE SUBSTITUTED WITH SHOP WELDS.
 3. FABRICATOR TO SHOP ASSEMBLE SUPPORT FRAMES AS MUCH AS PRACTICAL TO MINIMIZE FIELD WELDING AND ASSEMBLY TIME IN THE FIELD.
 4. FABRICATOR TO COORDINATE WITH THE GC ALL SITE CONSTRAINTS WITH REGARD TO SHIPPING, ENTERING THE BUILDING, ERECTION, ETC.
 5. GRIND ALL WELDS SMOOTH.



3 FRONT PANEL ELEVATION
3/4" = 1'-0"



2 VIDEO SUPPORT FRAMING PLAN (LOW)
3/4" = 1'-0"



4 VIDEO SUPPORT FRAMING SECTION
3/4" = 1'-0"

Order Plans @

WWW.Dynline.com



PRANGER GROUP INC.
PROJECT MANAGER

PROJECT NUMBER
5748

BUFFALO WILD WINGS
BIRMINGHAM
1416 4th AVENUE SOUTH,
BIRMINGHAM, AL 35233



| NO | DESCRIPTION | DATE |
|----|-------------|------|
| 1 | | |
| 2 | | |
| 3 | | |
| 4 | | |
| 5 | | |
| 6 | | |
| 7 | | |

Drawing Title
FRAMING DETAILS

A800