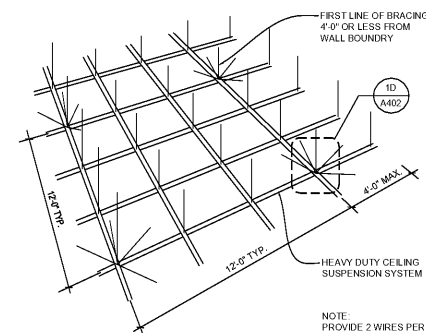
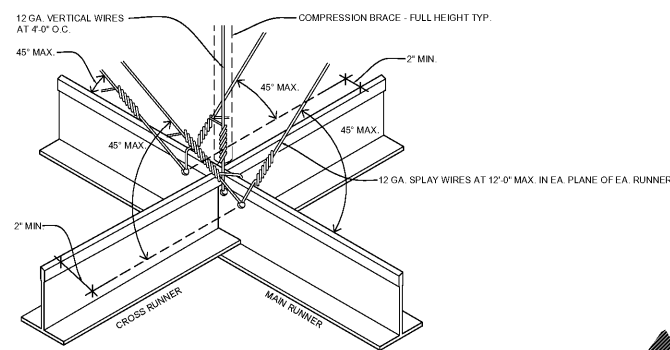


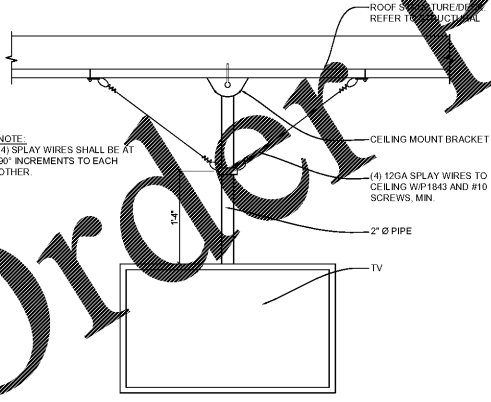
1A GYP BD SEISMIC BRACING DETAIL
NTS



1B ACT SEISMIC BRACING DETAIL
NTS

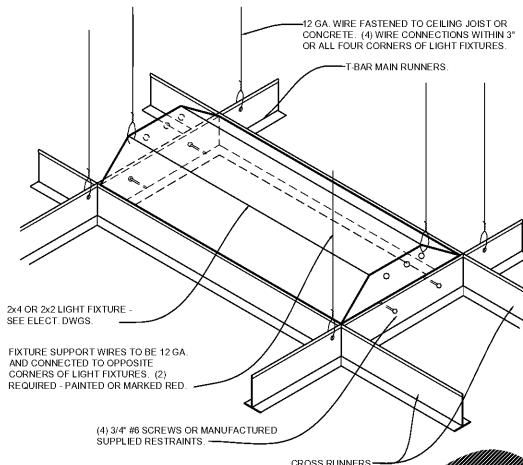


1C SEISMIC BRACING DETAIL
NTS

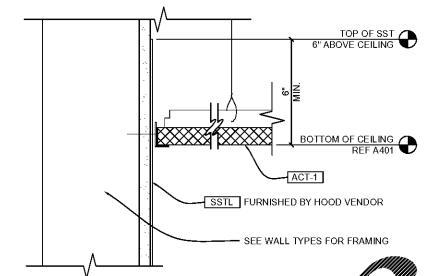


1E SEISMIC TV ANCHORAGE
1\"/>

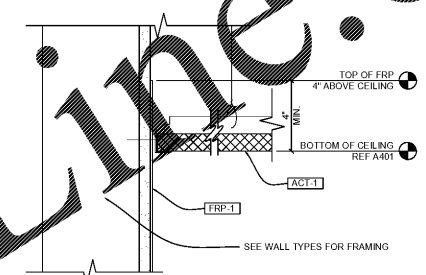
- SEISMIC NOTES:**
- FOR CEILING AREAS EXCEEDING 1,000 S.F. HORIZ. RESTRAINT OF CEILING TO STRUCTURE SHALL BE PROVIDED. THE HORIZ. RESTRAINT SHALL BE DESIGNED TO MINIMIZE DIAPHRAGM LOADS.
 - FOR CEILING AREAS EXCEEDING 2,500 S.F. A SEISMIC SEPARATION JOINT OR FULL HEIGHT PARTITION SHALL BE PROVIDED.
 - SPRINKLER HEADS AND OTHER PENETRATIONS SHALL HAVE A 2\"/>



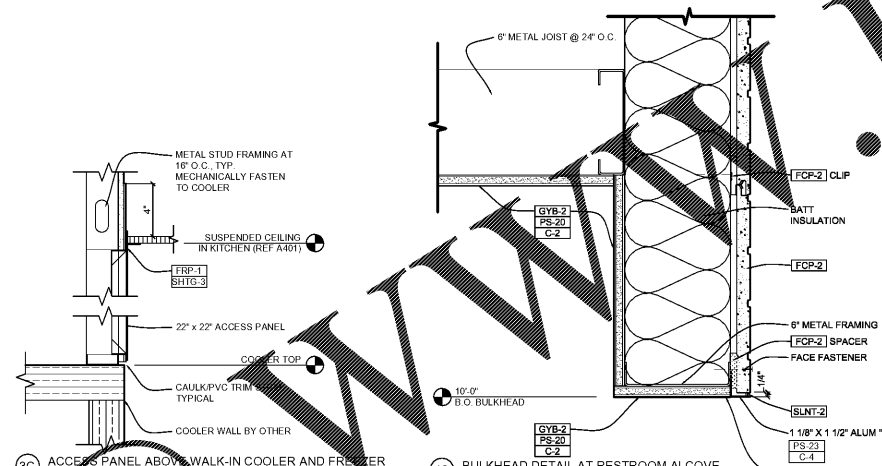
4B LIGHT FIXTURE SUPPORT
1\"/>



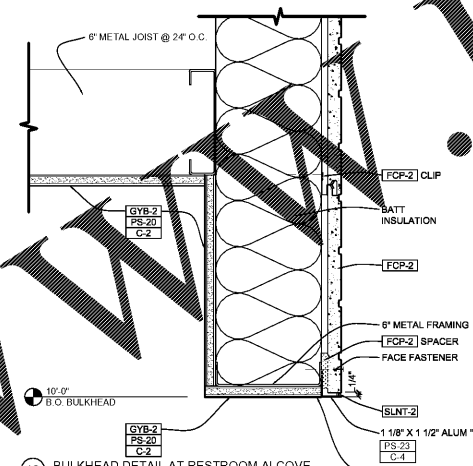
6A CEILING DETAIL
3\"/>



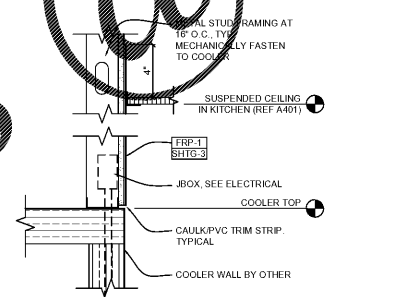
6B TYP CEILING DETAIL
3\"/>



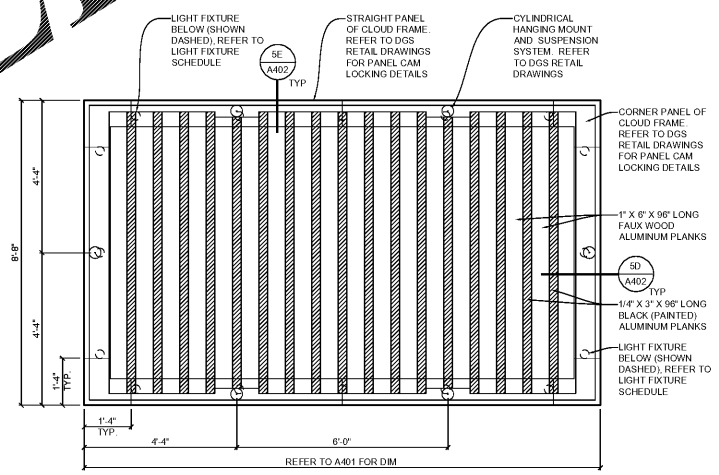
3C ACCESS PANEL ABOVE WALK-IN COOLER AND FREEZER
1.12\"/>



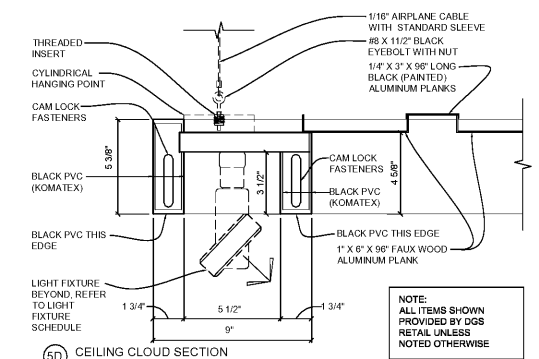
4C BULKHEAD DETAIL AT RESTROOM ALCOVE
3\"/>



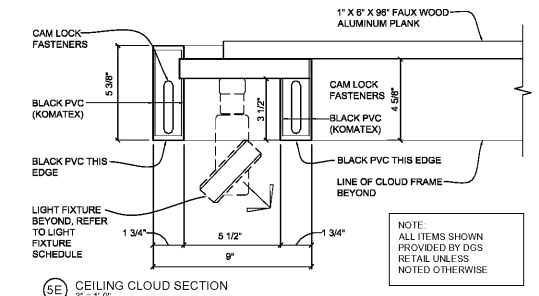
3D BULKHEAD ABOVE WALK-IN COOLERS AND FREEZER
1.12\"/>



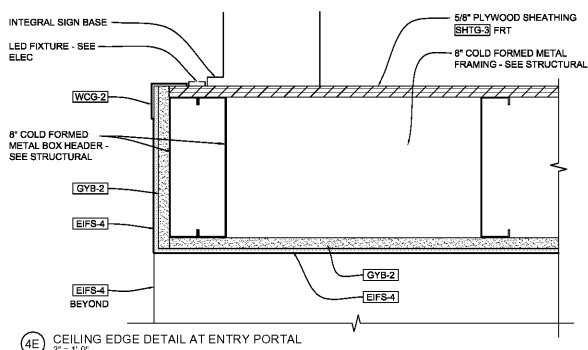
5C CEILING CLOUD ASSEMBLY
12\"/>



5D CEILING CLOUD SECTION
3\"/>

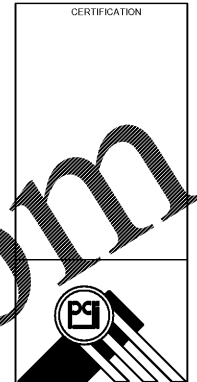


5E CEILING CLOUD SECTION
3\"/>



4E CEILING EDGE DETAIL AT ENTRY PORTAL
3\"/>

Order Plans



PRANGER GROUP INC.
PROJECT MANAGER

PROJECT NUMBER
5748

BUFFALO WILD WINGS
BIRMINGHAM
1416 4th AVENUE SOUTH,
BIRMINGHAM, AL 35233



BUFFALO WILD WINGS

NO	DESCRIPTION	DRAWING ISSUE								
		DATE	1	2	3	4	5	6	7	

Drawing Title
**CEILING DTLS,
SEISMIC DTLS**

A402