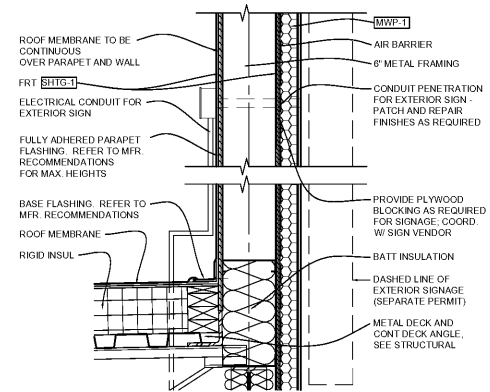
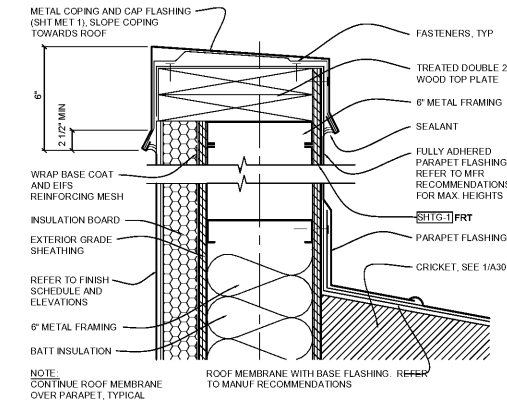


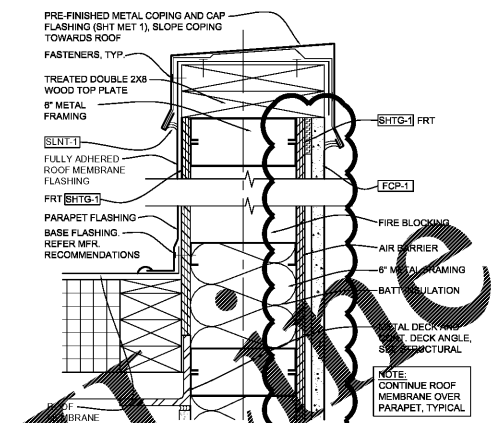
1A GREASE EXHAUST PENETRATION
1' x 1'-0"



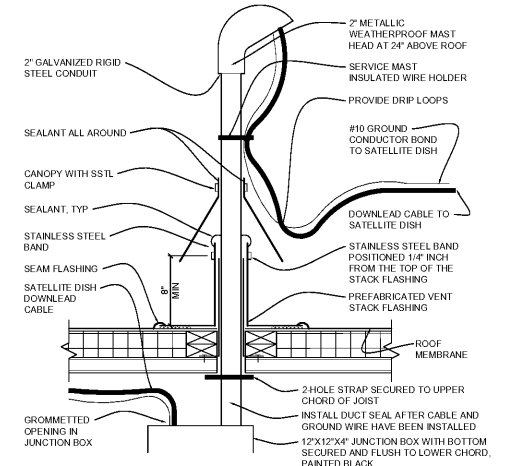
2A PARAPET AT SIGN / METAL PANEL
1 1/2' x 1'-0"



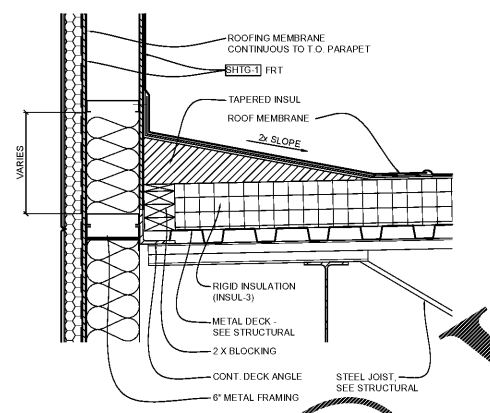
4A PARAPET AT EIFS
3' x 1'-0"



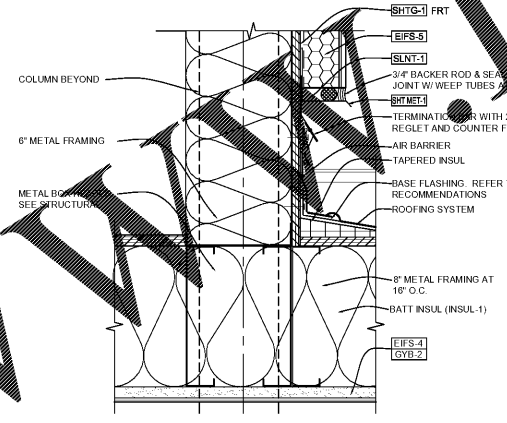
6A PARAPET AT FOOTING
3' x 1'-0"



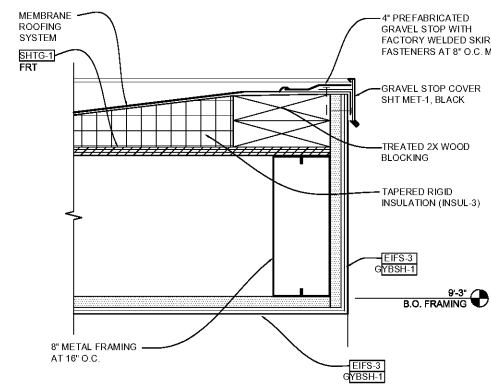
1C CONDUIT PENETRATION
1 1/2' x 1'-0"



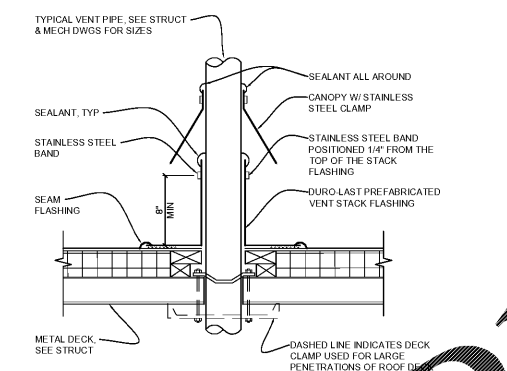
2C CRICKET AT PARAPET
1 1/2' x 1'-0"



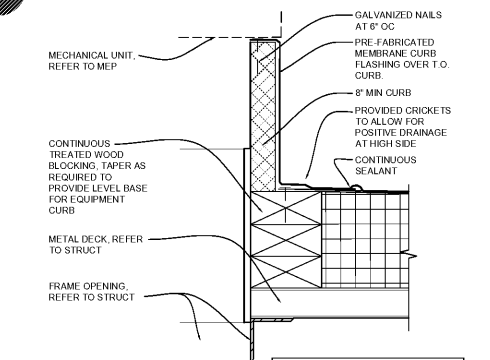
4C ROOF FLASHING AT VESTIBULE
3' x 1'-0"



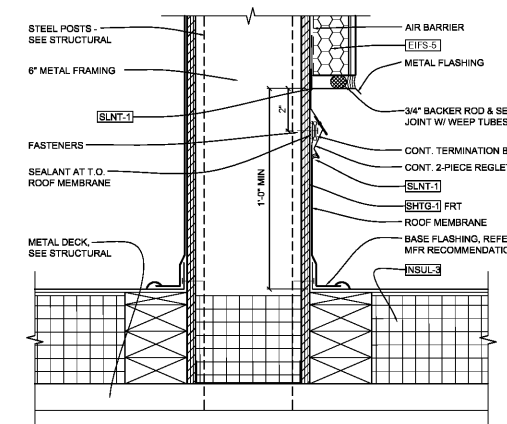
6C EXT FRAMING / FLASHING AT VESTIBULE
3' x 1'-0"



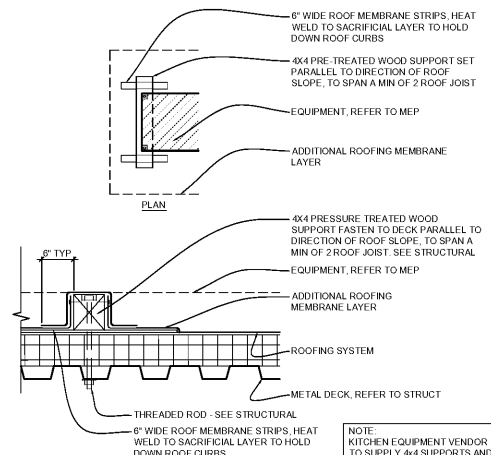
1D PIPE FLASHING - DURO-LAST
1 1/2' x 1'-0"



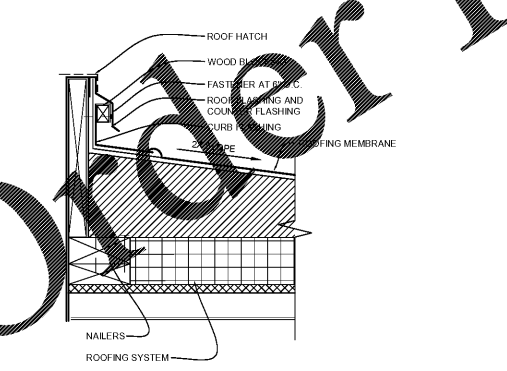
2E RTU CURB
1 1/2' x 1'-0"



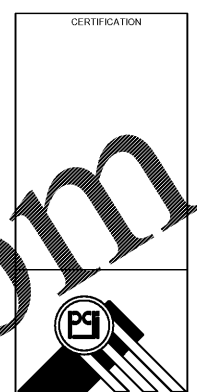
4E WALL FLASHING AT RTU SCREEN WALL
3' x 1'-0"



6E EQUIPMENT SUPPORT
1 1/2' x 1'-0"



1E CRICKET AT ROOF HATCH
3' x 1'-0"



PRANGER GROUP INC.
PROJECT MANAGER

PROJECT NUMBER
5748

BUFFALO WILD WINGS
BIRMINGHAM
1416 4th AVENUE SOUTH,
BIRMINGHAM, AL 35233



DRAWING ISSUE		DATE
NO	DESCRIPTION	
1		
2		
3		
4		
5		
6		
7		

Drawing Title
ROOF DETAILS

A302

Order Plans @

WWW.LDILLIEN.COM