



PROJECT NUMBER 5748

BUFFALO WILD WINGS BIRMINGHAM SOUTH, 1416 4th AVENUE SOUTH, BIRMINGHAM, AL 35233



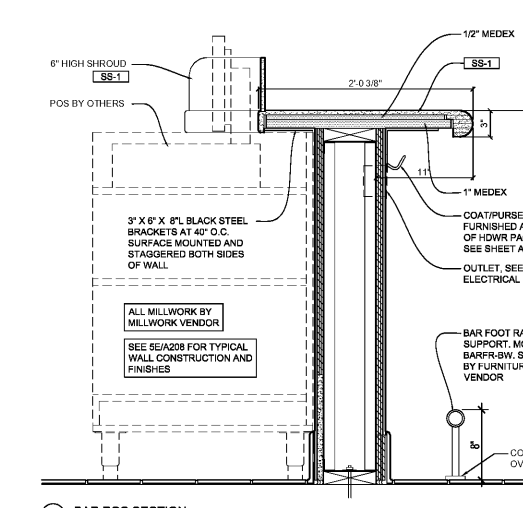
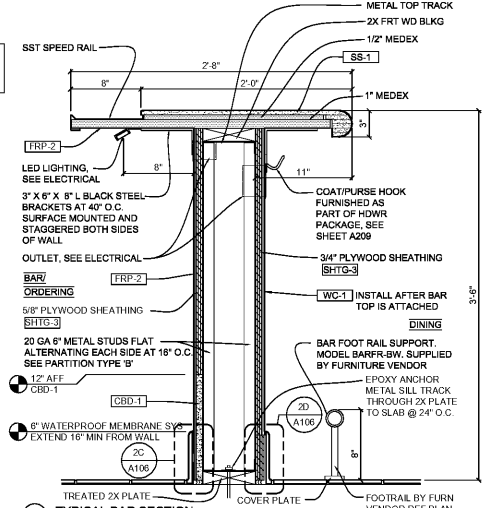
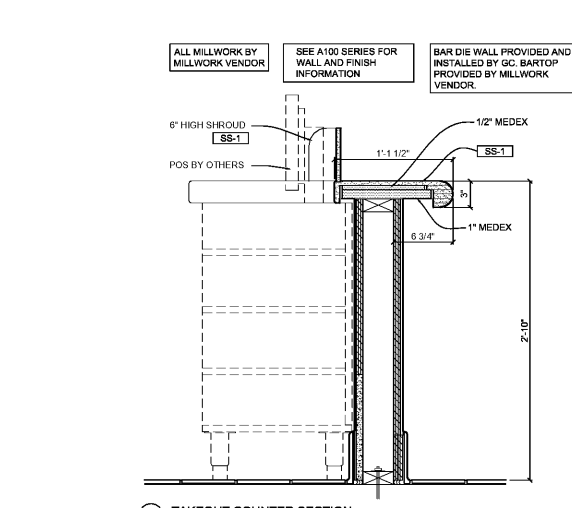
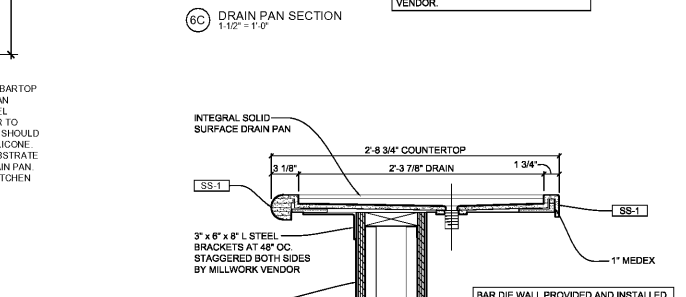
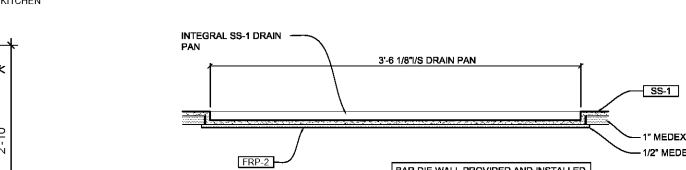
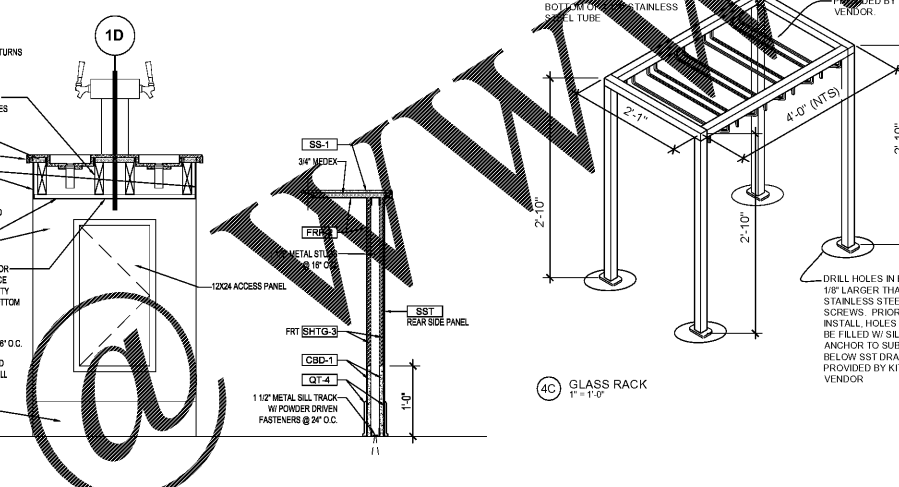
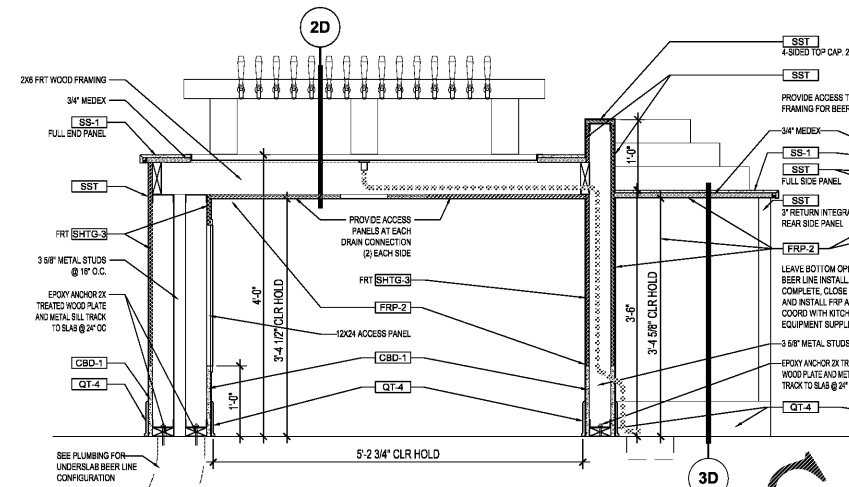
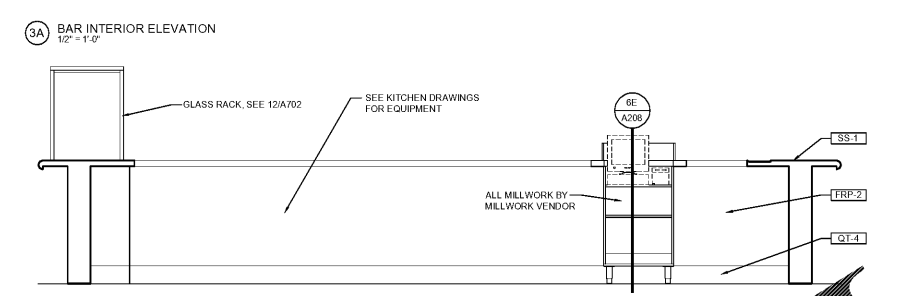
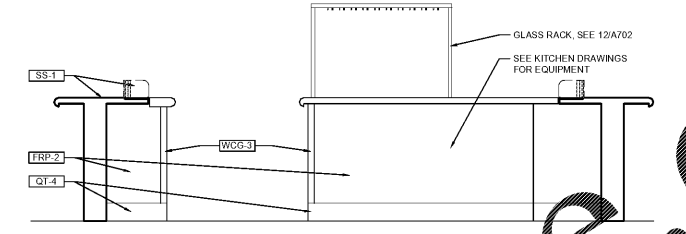
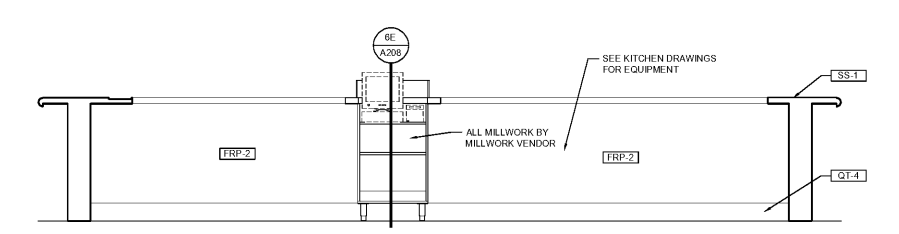
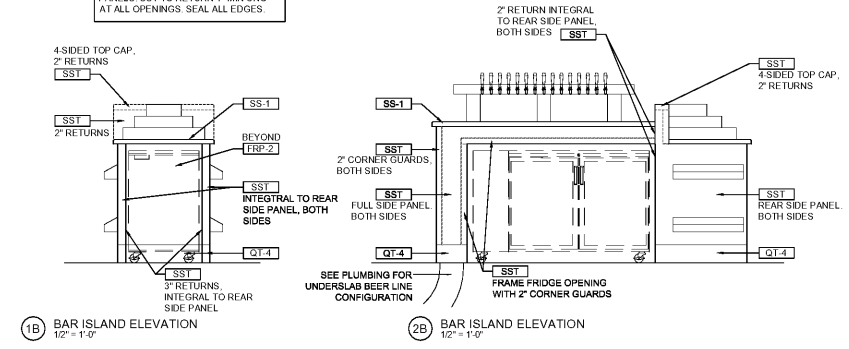
DRAWING ISSUE	
NO	DATE
1	
2	
3	
4	
5	
6	
7	

Drawing Title BAR ELEVATIONS AND DETAILS

A208

Order Plans

NOTE: INSTALL FRP BEFORE INSTALLING SST PANELS. SST TO RETURN 1" MIN UNDO AT ALL OPENINGS. SEAL ALL EDGES.



2E NOT USED 1-1/2" = 1'-0"