

GENERAL NOTES

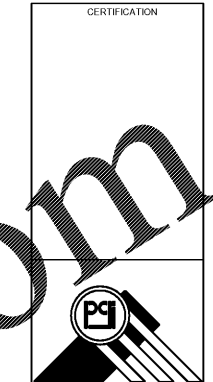
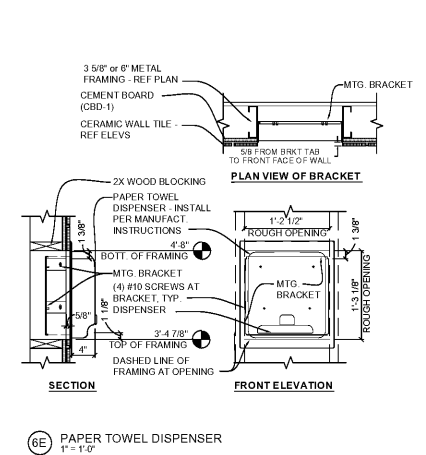
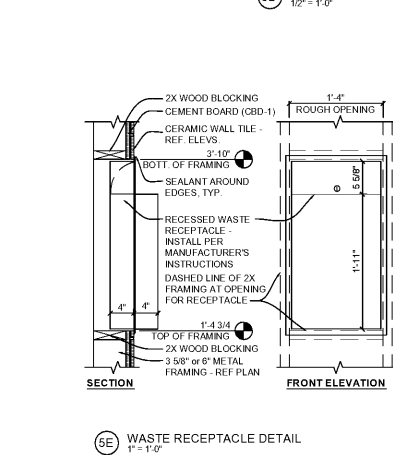
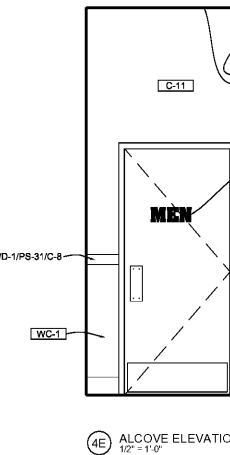
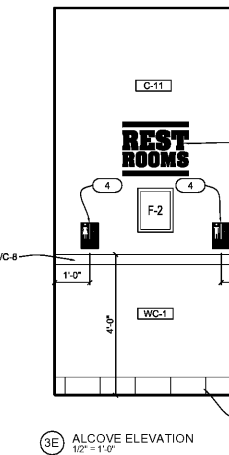
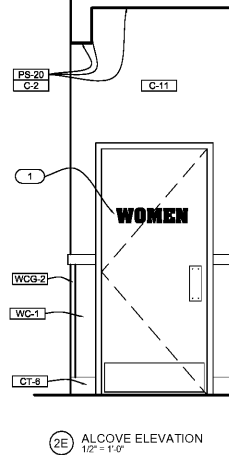
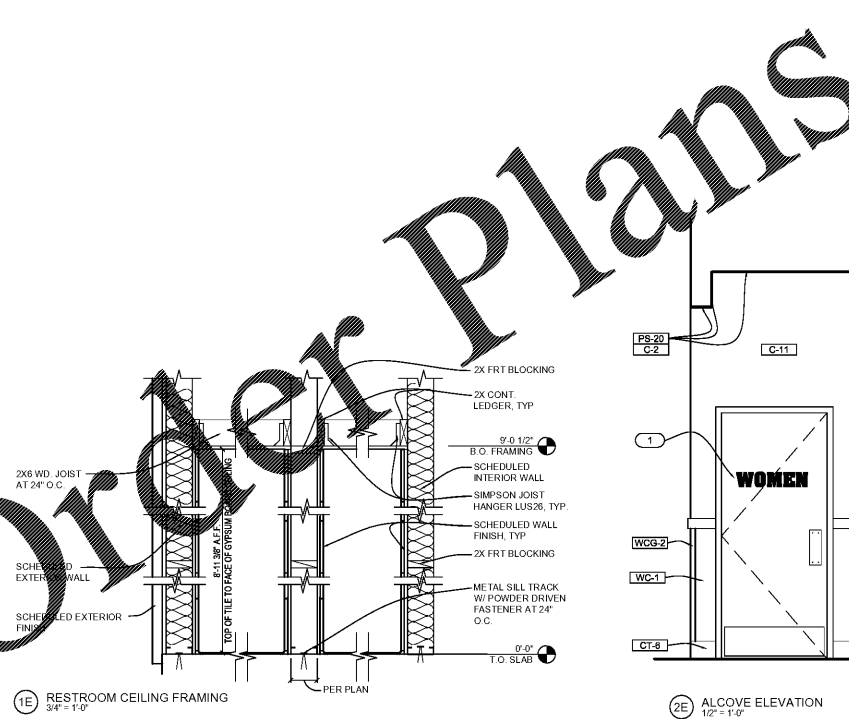
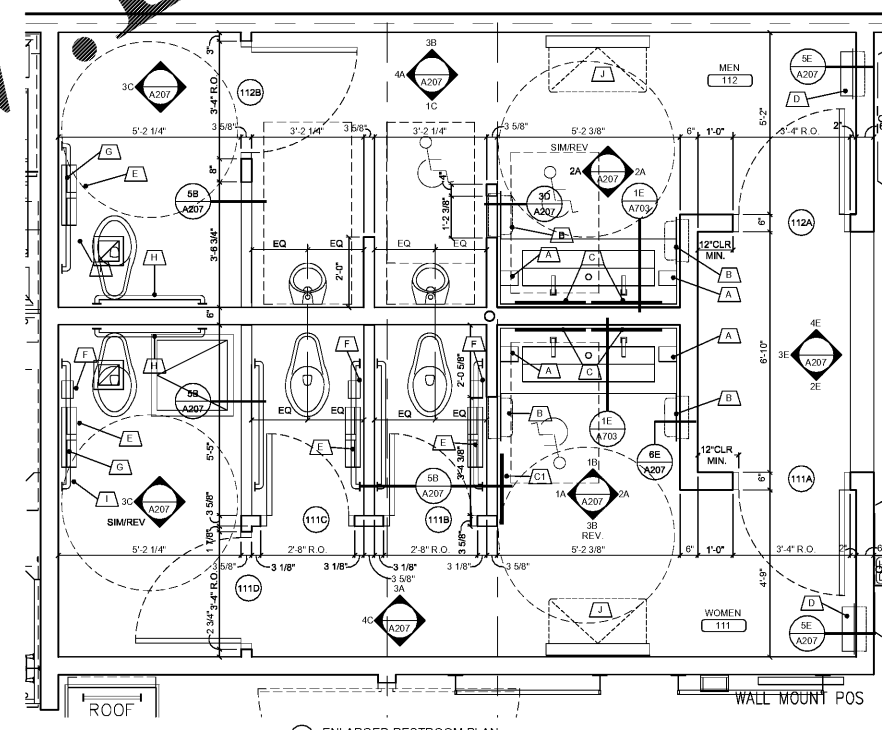
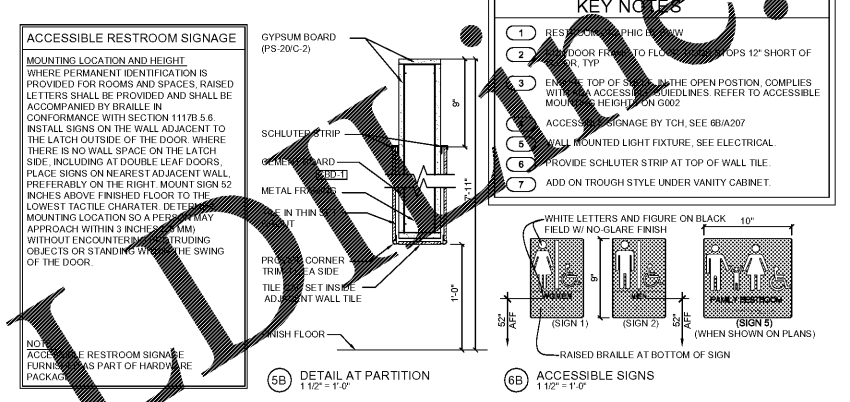
- REFER TO SHEETS A104, A105, & A106 FOR ADDITIONAL FINISH INFORMATION
- PROVIDE BLOCKING FOR TOILET FIXTURES AND ACCESSORIES, INCLUDING GRAB BARS, WATER CLOSETS, URINALS, SINK, WASTE RECEPTACLE, PAPER TOWEL DISPENSER AND DIAPER CHANGING STATION. BLOCKING SHALL SUPPORT 250 LBS MIN.
- DIMENSIONS ARE FROM FACE OF STUD WALLS
- ALIGN VERTICAL WALL TILES WITH FLOOR TILES
- ADJUST SPRING HINGES SO STALL DOORS CLOSE, BUT DO NOT LATCH
- DO NOT GROUT AROUND DOORS USE BLACK SEALANT (SLNT-3)
- PROVIDE BATT INSULATION (INSUL-1) TO 1'-0" ABOVE ADJACENT CEILING IN ALL WALLS SEPARATING THE TOILET ROOMS FROM RESTAURANT AND BAR AREAS
- PROVIDE CORNER TRIM (T-1) AT ALL OUTSIDE CORNERS OF TILE WALLS
- OPENINGS IN SOLID SURFACE COUNTERTOPS TO BE CUT IN THE FIELD TO ACCOMMODATE SINKS
- PROVIDE SOLID BLOCKING BEHIND ALL WALL STOPS FOR STALL AND RESTROOM ENTRY DOORS
- PROVIDE SOLID BLOCKING AND BACKING FOR VANITY SINK AND COUNTER TOP INSTALLATION

TOILET ACCESSORIES

MARK	DESCRIPTION	SUPPLIED BY	INSTALLED BY	CODE	REMARKS
A	HAND SOAP DISPENSER	OWNER	GC	SDSP	
B	RECESSED PAPER TOWEL DISPENSER	OWNER	GC	PTD	SEE 6E/A207
C	24"W x 36"H TEMP GLASS MIRROR	GC	GC	MIR-1	5
C1	24"W x 60"H TEMP GLASS MIRROR	GC	GC	MIR-2	5
D	RECESSED WASTE RECEPTACLE	GC	GC	WR	5, SEE 6E/A207
E	TOILET PAPER DISPENSER	OWNER	GC	TPD	
F	SANITARY NAPKIN DISPOSAL	GC	GC	SND	5
G	18" LONG GRAB BAR	GC	GC	GB1	5
H	36" LONG GRAB BAR	GC	GC	GB2	1, 5
I	42" LONG GRAB BAR	GC	GC	GB3	2, 5
J	DIAPER CHANGING STATION	GC	GC	DCS	5

REMARKS

- 1 1/2" DIAMETER STAINLESS STEEL GRAB BAR WITH 1 1/2" CLEARANCE BETWEEN GRAB BAR AND WALL SURFACE. 36" LONG GRAB BAR TO BE MOUNTED AT 36" AFF AND 6" MAX FROM WALL SURFACE TO CENTER OF MOUNTING BRACKET. PROVIDE WOOD BLOCKING FROM WALL SURFACE TO CENTER OF MOUNTING BRACKET. PROVIDE WOOD BLOCKING.
- 1 1/2" DIAMETER STAINLESS STEEL GRAB BAR WITH 1 1/2" CLEARANCE BETWEEN GRAB BAR AND WALL SURFACE. 42" LONG GRAB BAR TO BE MOUNTED AT 36" AFF AND 12" MAX FROM WALL SURFACE TO CENTER OF MOUNTING BRACKET. PROVIDE WOOD BLOCKING.
- MIRROR WITH SST FRAME, PART OF HARDWARE PACKAGE
- SEAL BATHROOM ACCESSORIES SUCH AS GRAB BARS, TOWEL BARS, SOAP DISPENSER, ETC. ON CR WITHIN WALLS AGAINST MOISTURE
- PURCHASED THROUGH TWIN CITY HARDWARE AS PART OF HARDWARE PACKAGE
- WASTE RECEPTACLE AND PAPER TOWEL DISPENSERS TO BE RECESSED



PROJECT NUMBER 5748

BUFFALO WILD WINGS
BIRMINGHAM
1416 4th AVENUE SOUTH,
BIRMINGHAM, AL 35233



DRAWING ISSUE

NO	DESCRIPTION	DATE
1		
2		
3		
4		
5		
6		
7		

Drawing Title
ENLARGED RESTROOM PLAN AND ELEVATIONS

A207