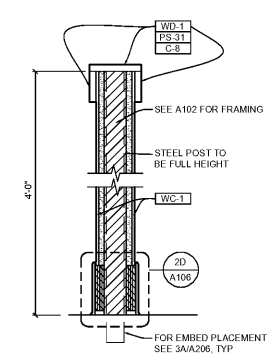
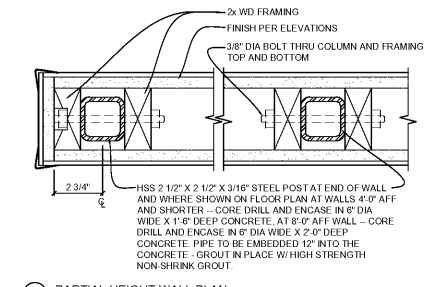


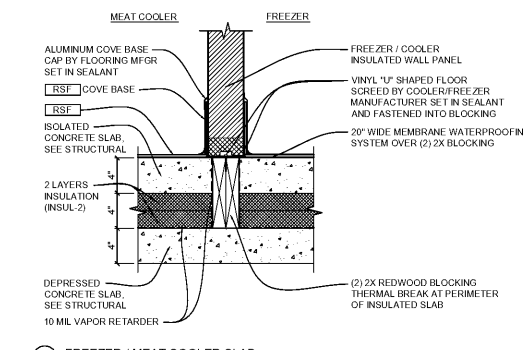
1A SODA CHASE
1 1/2" = 1'-0"



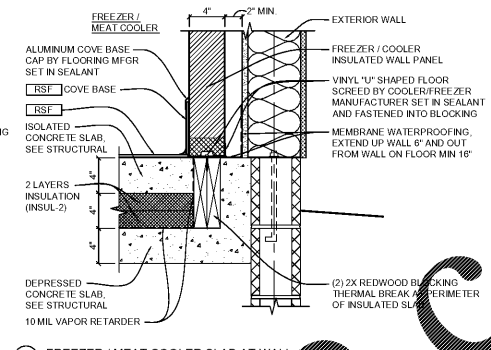
2A PARTIAL HEIGHT WALL SECTION
1 1/2" = 1'-0"



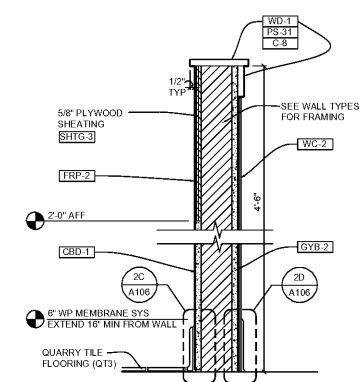
3A PARTIAL HEIGHT WALL PLAN
3" = 1'-0"



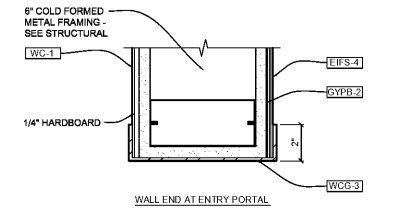
5A FREEZER / MEAT COOLER SLAB
1 1/2" = 1'-0"



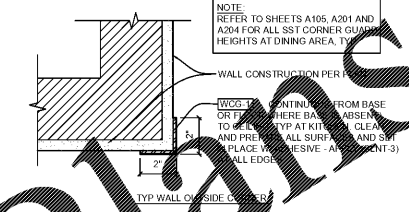
6A FREEZER / MEAT COOLER SLAB AT WALL
1 1/2" = 1'-0"



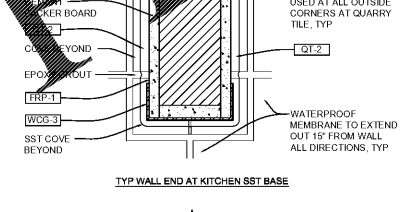
1C SERVER STATION WALL
1 1/2" = 1'-0"



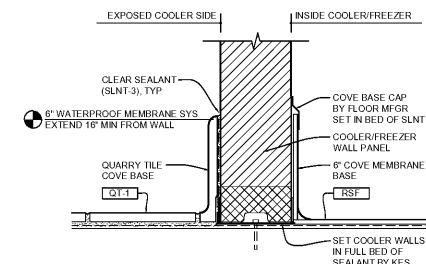
WALL END AT ENTRY PORTAL



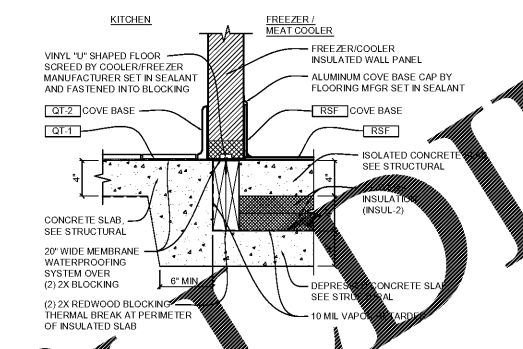
TYP WALL END AT KITCHEN SST BASE



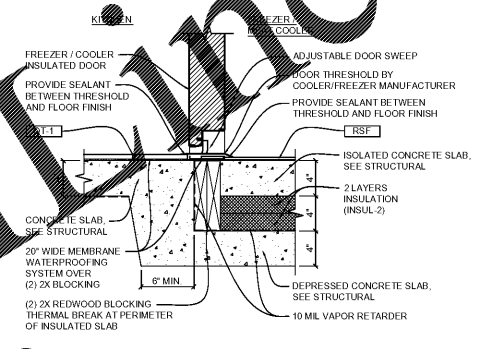
WALL END AT SERVER STATIONS



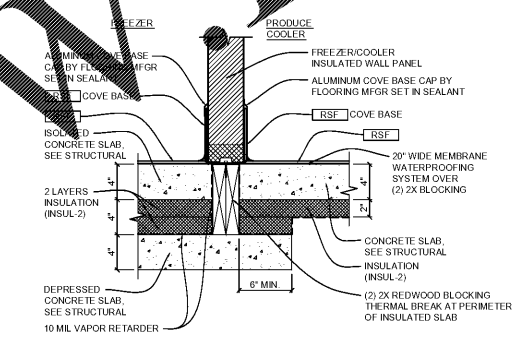
3B INT COOLER BASE AT EXP COOLER WALL
3" = 1'-0"



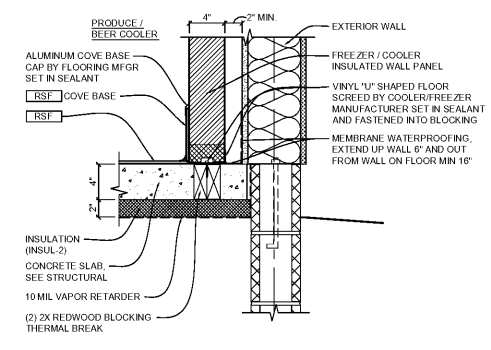
5B FREEZER / MEAT COOLER SLAB AT INTERIOR
1 1/2" = 1'-0"



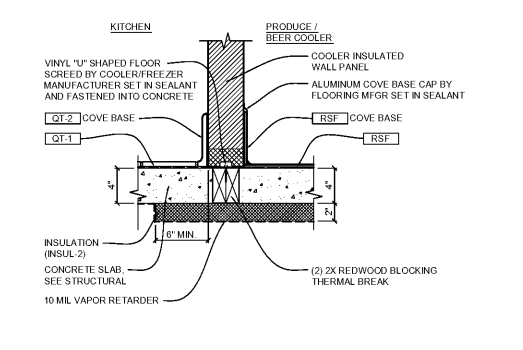
6B FREEZER / MEAT COOLER SLAB AT DOOR
1 1/2" = 1'-0"



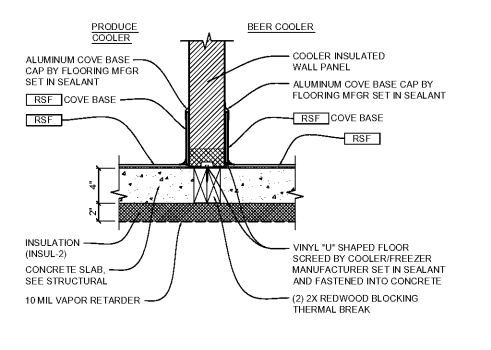
5C FREEZER / PRODUCE COOLER SLAB
1 1/2" = 1'-0"



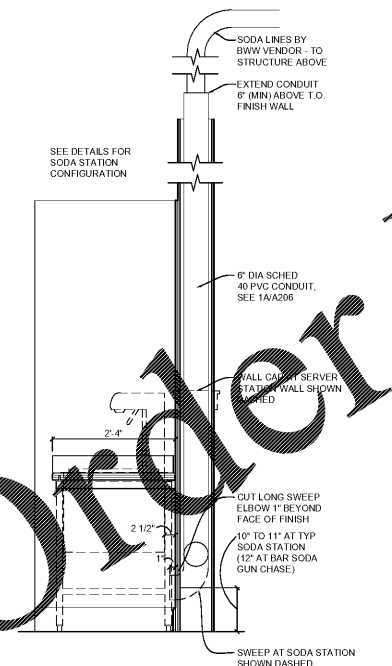
6C PRODUCE / BEER COOLER SLAB AT WALL
1 1/2" = 1'-0"



5D PRODUCE / BEER COOLER SLAB AT INTERIOR
1 1/2" = 1'-0"

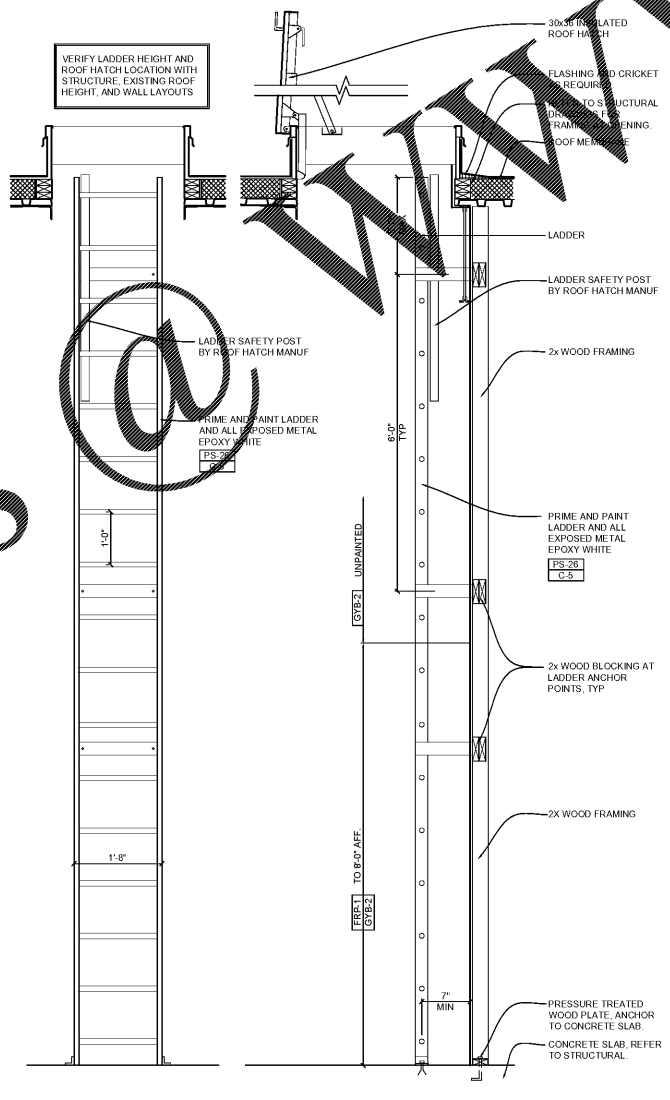


6D PRODUCE / BEER COOLER SLAB
1 1/2" = 1'-0"

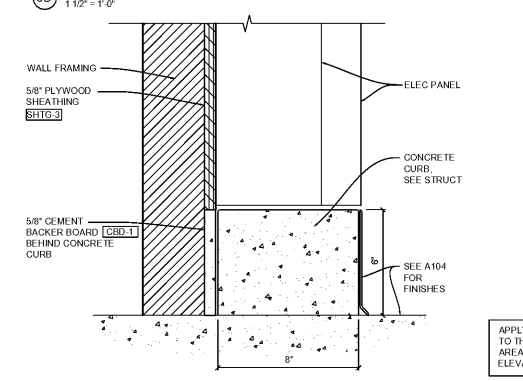


1E TYP SODA CONDUIT
3/4" = 1'-0"

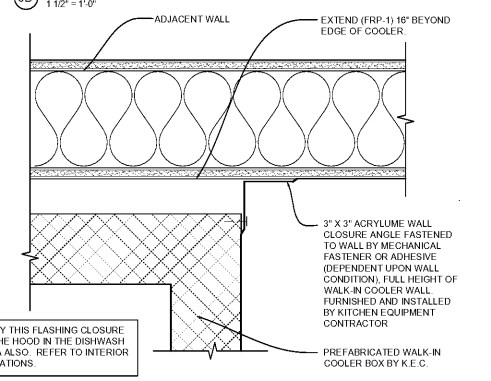
2E CORNER / END WALL GUARDS
3" = 1'-0"



3E ROOF LADDER HATCH
3/4" = 1'-0"



5E CONCRETE CURB
3" = 1'-0"



6E WALL CLOSURE ANGLE AT WALK-IN COOLER
3" = 1'-0"

Order Plans

CERTIFICATION

PRANGER GROUP INC.
PROJECT MANAGER

PROJECT NUMBER
5748

BUFFALO WILD WINGS
BIRMINGHAM
1416 4th AVENUE SOUTH,
BIRMINGHAM, AL 35233



DRAWING ISSUE		DATE
NO	DESCRIPTION	
1		
2		
3		
4		
5		
6		
7		

Drawing Title
INTERIOR DETAILS

A206