



PRANGER GROUP INC. PROJECT MANAGER

PROJECT NUMBER 5748

BUFFALO WILD WINGS BIRMINGHAM 1416 4th AVENUE SOUTH, BIRMINGHAM, AL 35233

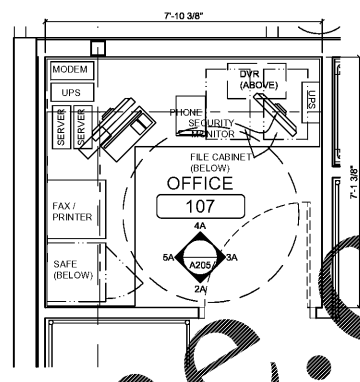


BUFFALO WILD WINGS

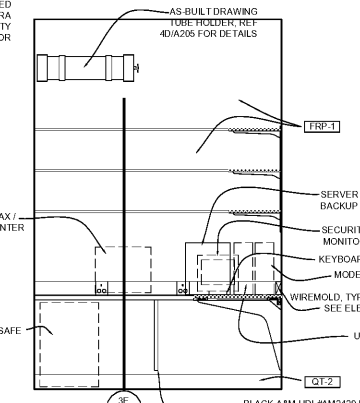
DRAWING ISSUE		DATE
NO	DESCRIPTION	
1		
2		
3		
4		
5		
6		
7		

Drawing Title ENLARGED PLAN, SECTIONS, AND DETAILS

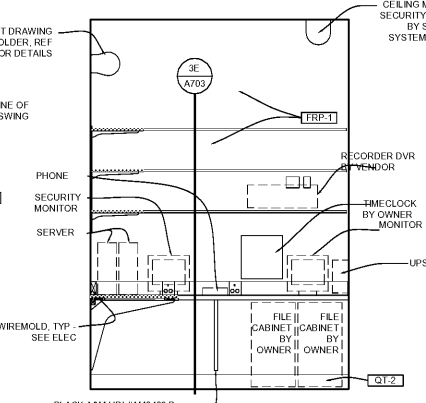
A205



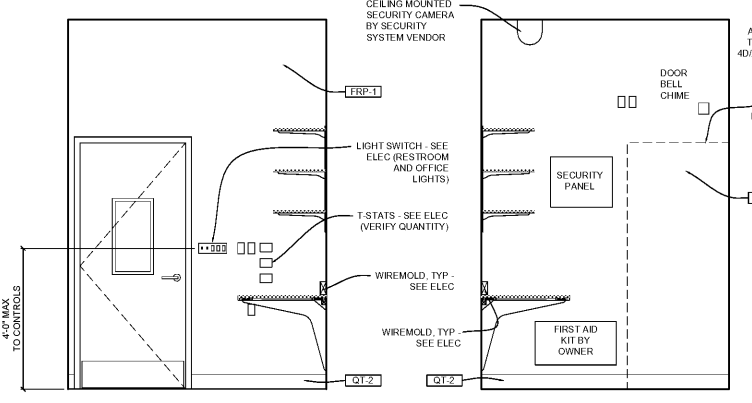
5A OFFICE ELEVATION 1/2" = 1'-0"



5A OFFICE ELEVATION 1/2" = 1'-0"

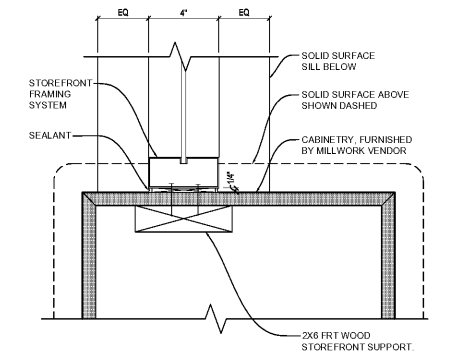


4A OFFICE ELEVATION 1/2" = 1'-0"

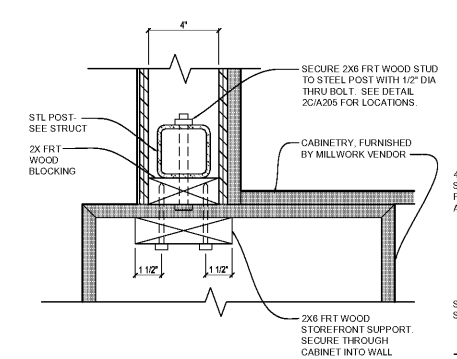


2A OFFICE ELEVATION 1/2" = 1'-0"

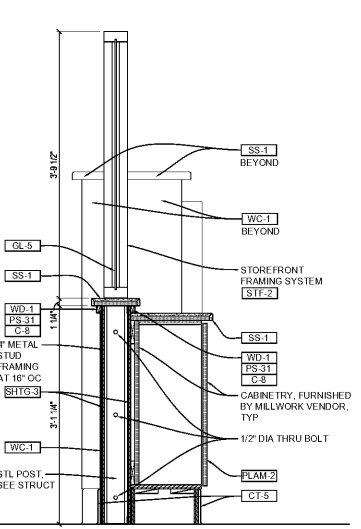
3A OFFICE ELEVATION 1/2" = 1'-0"



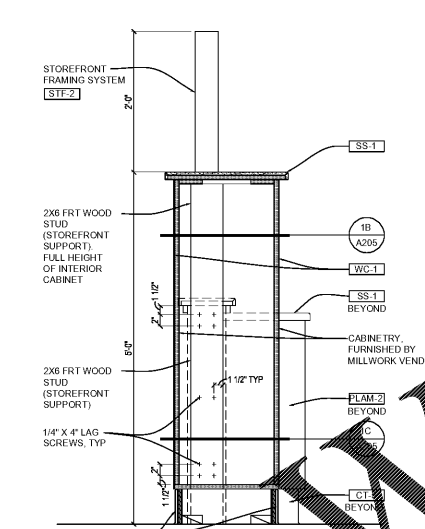
1B STADIA WALL JAMB DETAIL 3" = 1'-0"



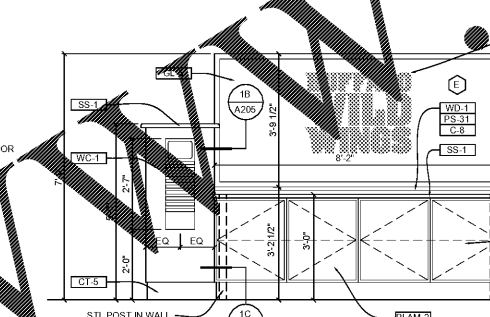
1C STADIA WALL PLAN DETAIL 3" = 1'-0"



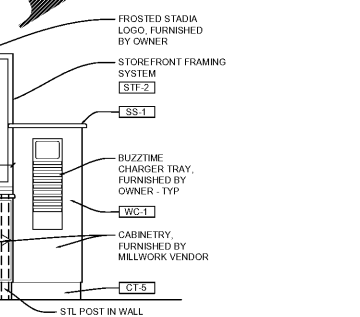
2C STADIA WALL SECTION 1" = 1'-0"



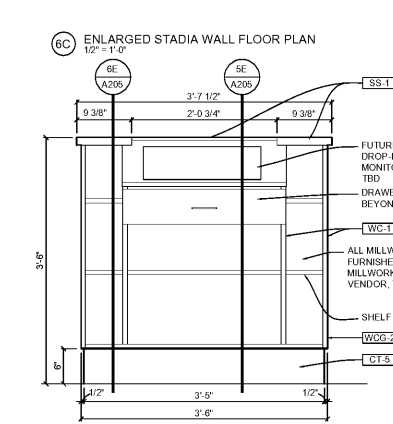
3C STADIA WALL THRU CABINET SECTION 1" = 1'-0"



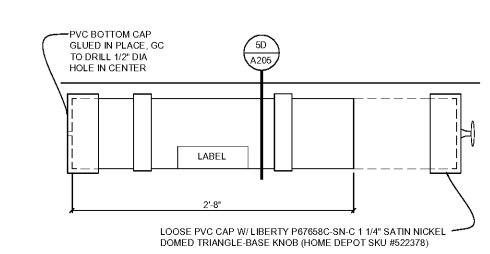
4C STADIA WALL ELEVATION 1/2" = 1'-0"



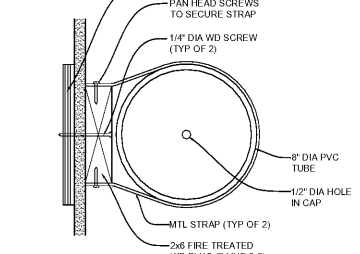
5C ENLARGED STADIA WALL FLOOR PLAN 1/2" = 1'-0"



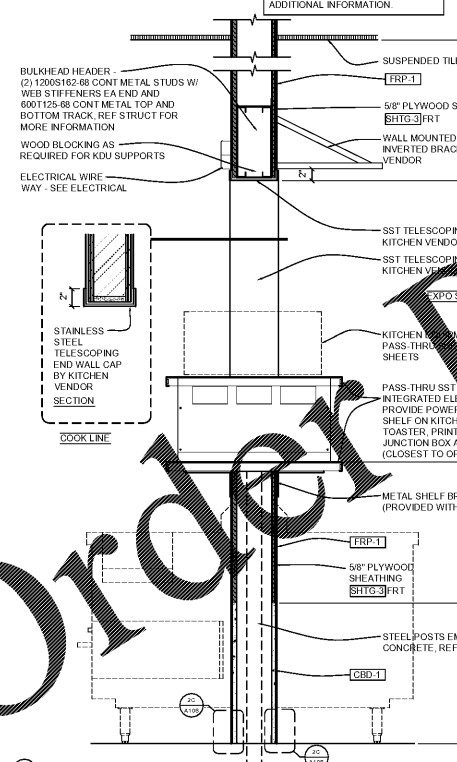
6C GREETER STAND ELEVATION 1" = 1'-0"



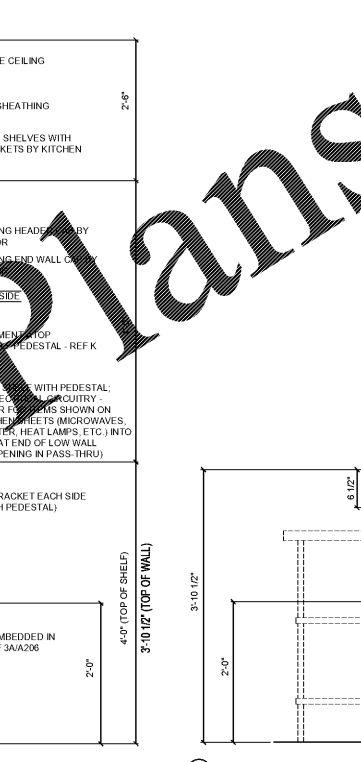
4D DRAWING TUBE HOLDER 1/2" = 1'-0"



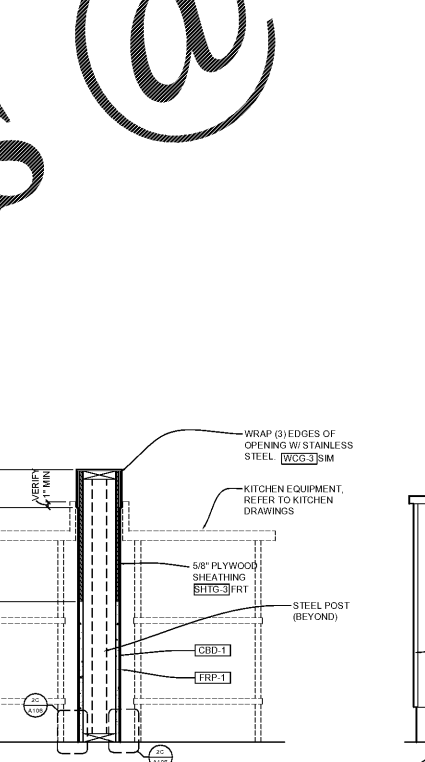
5D DRAWING TUBE HOLDER 3" = 1'-0"



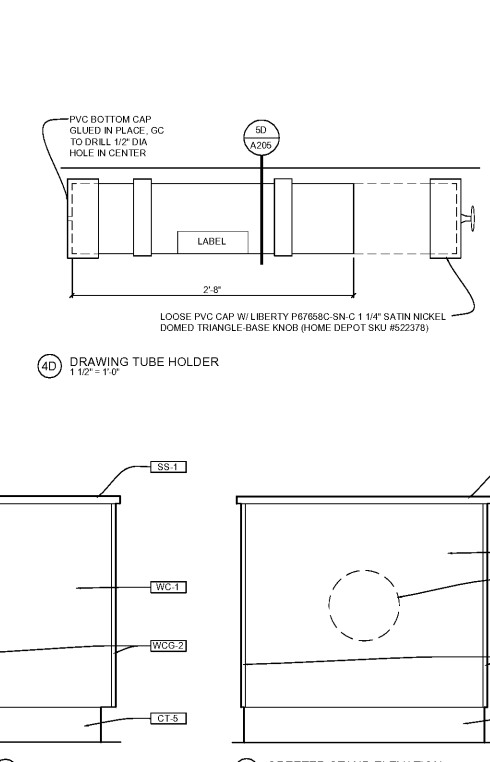
1E PASS-THRU AT KITCHEN 1" = 1'-0"



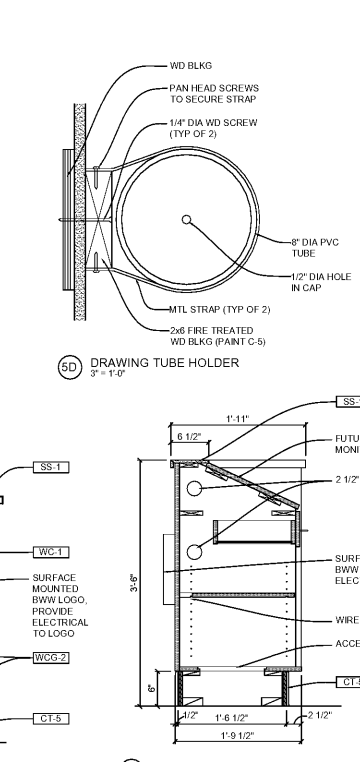
2E KITCHEN KNEE WALL AT SHAKE TABLE 1" = 1'-0"



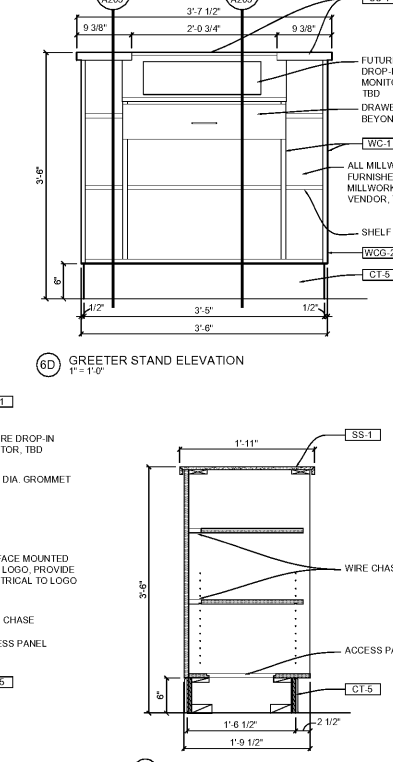
3E GREETER STAND ELEVATION 1" = 1'-0"



4E GREETER STAND ELEVATION 1" = 1'-0"



5E GREETER STAND SECTION 1" = 1'-0"



6E GREETER STAND SECTION 1" = 1'-0"

Order Plans