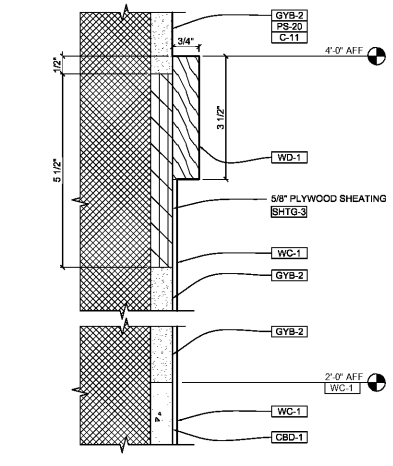


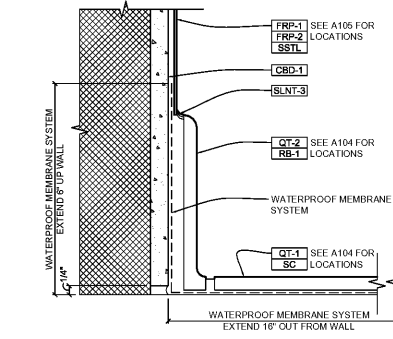
Order Plans

Order Plans

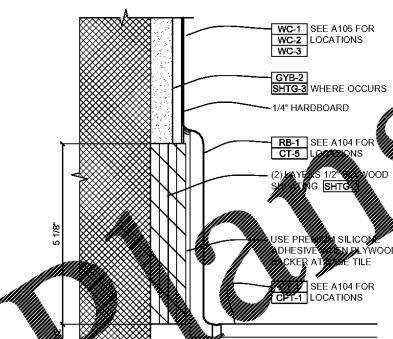
WWW.IDLINE.COM



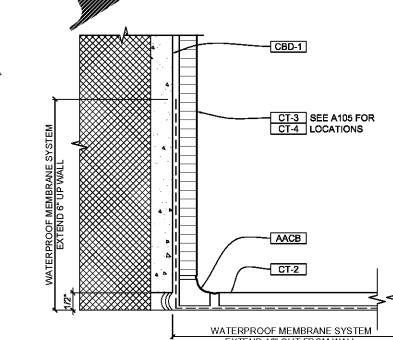
2B CHAIR RAIL DETAIL  
6" = 1'-0"



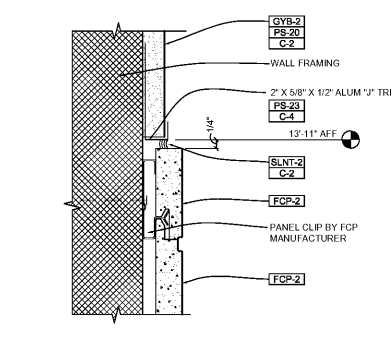
2C BASE DETAIL AT FRP AND SSTL WALL  
6" = 1'-0"



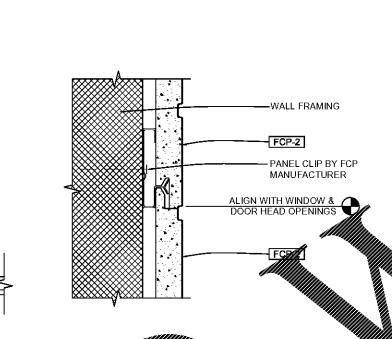
2D BASE DETAIL AT WC WALL  
6" = 1'-0"



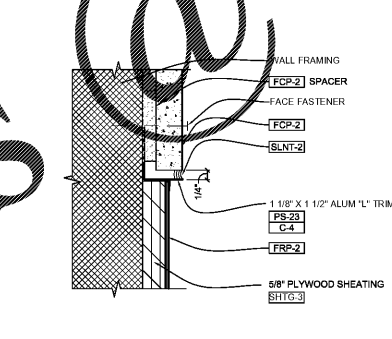
2E BASE DETAIL AT CT WALL  
6" = 1'-0"



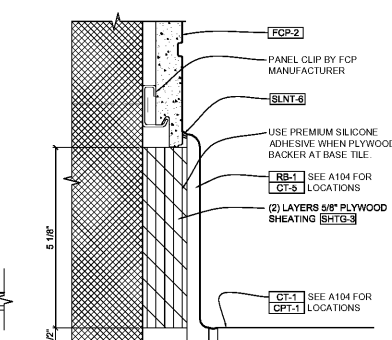
3B FCP TO GYB TRANSITION  
6" = 1'-0"



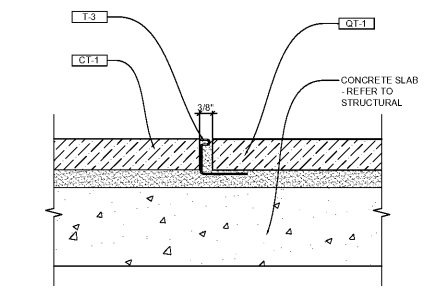
3C FCP HORIZONTAL PANEL JOINT DETAIL  
6" = 1'-0"



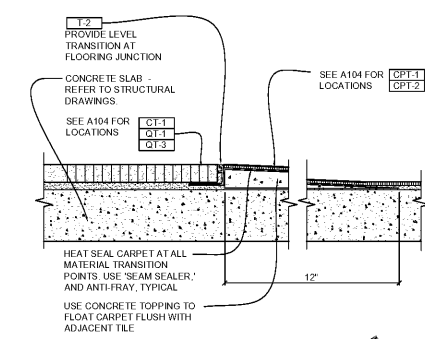
3D FCP TO FRP TRANSITION  
6" = 1'-0"



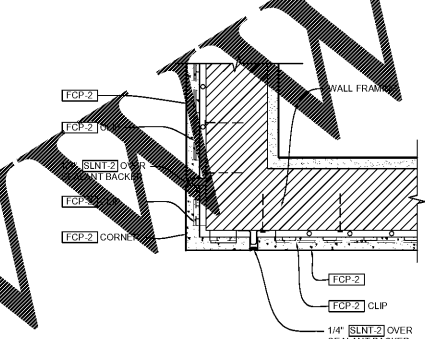
3E BASE DETAIL AT FCP WALL  
6" = 1'-0"



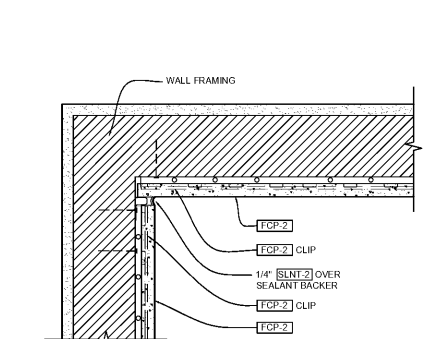
4A TILE TO TILE FLOOR TRANSITION  
6" = 1'-0"



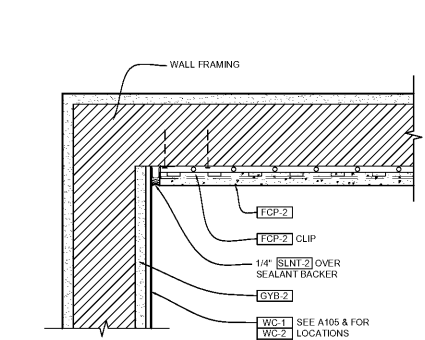
4B TILE TO CARPET TRANSITION  
6" = 1'-0"



4C PLAN - BRICK PANEL AT OUTSIDE CORNER  
3" = 1'-0"



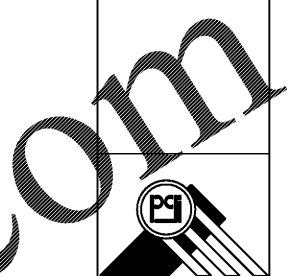
4D PLAN - BRICK PANEL AT INSIDE CORNER  
3" = 1'-0"



4E PLAN - BRICK PANEL AT INSIDE CORNER  
3" = 1'-0"

FINISH SCHEDULE				
INTERIOR FINISH SCHEDULE				
MAT ID	DESCRIPTION	TYPE/SERIES	COLOR/FINISH	REMARKS
<b>FLOORING</b>				
CPT-1	CARPET	BROADLOOM	BWW 58145-J749	
CPT-2	CARPET	LEES, STEP UP II TILE #0311	#555 COBALT	QUARTER TURN IN TALL
CT-1	DINING AREA CERAMIC TILE	EVOLUTION - BW11	-	GT-1
CT-2	RESTROOM CERAMIC TILE	BW1000	BLACK	GT-2
QT-1	KITCHEN QUARRY TILE	QT10A-66 - ABRASIVE	RED	GT-6
QT-3	BAR/POSITAKE OUT AREA QUARRY TILE	QT44A - ABRASIVE	GRAY	GT-6
RF8	RESILIENT SHEET FLOORING	PROTECT ALL SHEET	LIGHT GRAY, MATTE	1/4" THICKNESS
<b>BASE</b>				
CT-5	DINING AREA CERAMIC BASE	BW320 - COVE12	SUPER BLACK	GT-5
CT-5A	DINING AREA CERAMIC BASE OUT CORNER	BW320 - COVE12OC	SUPER BLACK	GT-5
CT-6	RESTROOM CERAMIC BASE	BW3210 - COVE12	SUPER BLACK	GT-5
CT-6A	RESTROOM CERAMIC BASE OUT CORNER	BW3210 - COVE12OC	SUPER BLACK	GT-5
QT-2A	KITCHEN QUARRY TILE BASE	19-QG3565 - COVED	RED	GT-6
QT-2B	KITCHEN QUARRY TILE BASE RIGHT CORNER	19-QG3565 - COVED	RED	GT-6
QT-2C	KITCHEN QUARRY TILE BASE LEFT CORNER	19-QG3565 - COVED	RED	GT-6
QT-4	BAR/POSITAKE OUT AREA QUARRY TILE BASE	44-Q3585 - COVED	GRAY	GT-6
QT-4A	BAR/POSITAKE OUT AREA QUARRY TILE RIGHT CORNER	44-Q3585	GRAY	GT-6
QT-4B	BAR/POSITAKE OUT AREA QUARRY TILE LEFT CORNER	44-Q3585	GRAY	GT-6
RB-1	RESILIENT BASE	COVED	CHAR BLACK	8" HEIGHT
RSB	STAINLESS STEEL COVE CORNER BASE	COVED	CHAR BLACK	8" HEIGHT
AACB	ANODIZED ALUMINUM COVE BASE	4.21 SCHLUTER - D	SATURATED ALUMINUM	1/2" X 1/2" X 100 AE
<b>GROUT</b>				
GT-1	GROUT	H151 - SANDED	TALPE	
GT-2	GROUT	H1805-25 - SANDED	DELORIAN GRAY	
GT-3	GROUT	H193U - UN-SANDED	DELORIAN GRAY	
GT-4	GROUT	H188U - UN-SANDED	OFF	
GT-5	GROUT	G395-25 - SANDED	CHAR BLACK	
GT-6	GROUT	EPOXY	DELORIAN GRAY	ALL QUARRY TILE
<b>WALL</b>				
FR-1	FIBER CEMENT PANELS	VINTAGE BRICK	WHITWASH	
FR-2	EXTERIOR INSULATION & FINISH SYSTEM	LYMSTONE	SMOOTH TROWEL, GRAY	BASECOAT/FINISH COAT, GYB-2
FR-3	FIBERGLASS REINFORCED PLASTIC	PEBBLE TEXTURE	WHITE - GLOSS	
FR-4	FIBERGLASS REINFORCED PLASTIC	PEBBLE TEXTURE	BLACK - GLOSS	
CT-3	CERAMIC TILE	BW890	BLACK	GT-3
CT-4	CERAMIC TILE	BW360	YELLOW	GT-4
WC-1	WALL COVERING	WARM GLOUM REAL	#239 - BLACK	
WC-2	WALL COVERING	WARM GLOUM REAL	#229 - EIGER	
WC-3	WALL COVERING	WARM GLOUM REAL	#221 - LEMON ZEST	
C-1	PAINT COLOR	SW7099	DIRTUS	
C-2	PAINT COLOR	SW7944	AMAZING GRAY	
C-3	PAINT COLOR	SW7969	IRON ORE	
C-4	PAINT COLOR	SW6991	BLACK MAGIC	
C-5	PAINT COLOR	SW7008	EXTRA WHITE	
C-6	PAINT COLOR	SW7919	QUANTILET GRAY	
C-7	PAINT COLOR	SW7090	BLACK FOX	
C-8	PAINT COLOR	SW 8W 35 GRAY		
C-11	PAINT COLOR	SW7018	DOVETAIL	
SST	STAINLESS STEEL WALL PANELS	18 GA - 304 SS	BRUSHED FINISH	
WCG-1	STAINLESS STEEL CORNER CAP	18 GA - 304 SS	BRUSHED FINISH	2" X 2"
WCG-2	PVC CORNER GUARD	BY MILLWORK VENDOR	BLACK	1-1/2" X 1-1/2"
WCG-3	STAINLESS STEEL END CAP	18 GA - 304 SS	BRUSHED FINISH	2" X WALL THICKNESS X 2"
<b>CERILING</b>				
EFS-4	EXTERIOR INSULATION & FINISH SYSTEM	LYMSTONE	SMOOTH TROWEL, GRAY	BASECOAT/FINISH COAT, GYB-2
ACT-1	ACUSTICAL CEILING	VINYL STIPPLE - 3370	WHITE	24" X 48"
GYB-2	GYPSUM BOARD	MOISTURE RESISTANT	PAINT	SEE SHEET A500
<b>MISCELLANEOUS</b>				
PLAM-1	PLASTIC LAMINATE	WILSONART	1573-69 FROSTY WHITE	MATTE
PLAM-2	PLASTIC LAMINATE	WILSONART	1595-69 BLACK	MATTE
PLAM-5	PLASTIC LAMINATE	ADVANCED TECHNOLOGY	#266 GEK	DIAMOND PLATE STAINLESS STEEL
SS-1	SOLID SURFACE MATERIAL	GORAN	CONCRETE	
WD-1	POPULAR	PLAIN SAWN	PRE-FINISHED PS-31C-8	BY MILLWORK VENDOR, REFER TO DRAWINGS FOR FINISH LOCATIONS
WD-2	MARLE	PLAIN SAWN	PRE-FINISHED PS-36, CLEAR	BY MILLWORK VENDOR, REFER TO DRAWINGS FOR FINISH LOCATIONS
T-1	TILE TRIM - RESTROOM TILE	40 80 EP	BRUSHED STAINLESS	OUTSIDE CORNERS
T-2	FLOOR TRANSITION - TILE TO CARPET	RENO-TK AE	SATIN ANODIZED ALUM	
T-3	FLOOR TRANSITION - TILE TO TILE	DECO AE	SATIN ANODIZED ALUM	
T-4	FLOOR TRANSITION - TILE TO CONC	RENO-RAMP AE	SATIN ANODIZED ALUM	
T-5	FLOOR TRANSITION - TILE TO RESINOUS FLR	DECO AE	SATIN ANODIZED ALUM	OPTIONAL
PS	PAINT SYSTEM	-	-	SEE SPECIFICATION SECTION 09 9100
<b>EXTERIOR FINISH SCHEDULE</b>				
MAT ID	DESCRIPTION	TYPE/SERIES	COLOR/FINISH	REMARKS
<b>MATERIALS</b>				
FCP-1	FIBER CEMENT PANELS	VINTAGE BRICK	ALEXANDRIA BUFF	
MWP-1	METAL WALL PANEL	REVEAL PANEL	PRE-FIN, MATTE DITRUS	12" HORIZONTAL
MWP-2	METAL WALL PANEL	SNAP ON BATTEN PANEL	PRE-FIN, MATTE BLACK	18" VERTICAL
MWP-3	METAL WALL PANEL	FLUSH PANEL	PRE-FIN, MATTE BLACK	12" VERTICAL
EFS-1	EXTERIOR INSULATION & FINISH SYSTEM	SANDPEBBLE	GRAY	2" TYP (UON), MATCH PAINT COLOR C-6
EFS-2	EXTERIOR INSULATION & FINISH SYSTEM	SANDPEBBLE FINE	DITRUS	2" TYP (UON), MATCH PAINT COLOR C-1
EFS-3	EXTERIOR INSULATION & FINISH SYSTEM	LYMSTONE	SMOOTH TROWEL, GRAY	BASECOAT/FINISH COAT, GYB-1
EFS-5	EXTERIOR INSULATION & FINISH SYSTEM	SANDPEBBLE FINE	#715 LICORICE	2" TYP (UON)
STP-1	ALUMINUM ENTRANCES & STOREFRONT	THERMALLY BROKEN	MATTE BLACK	
SMT-MET-2	DALVANIZED STEEL	PRE-FINISHED	MATTE BLACK / DITRUS / SLATE GRAY	COLOR TO MATCH ADJACENT WALL, UON
C-1	PAINT COLOR	SW 6936	DITRUS	
C-2	PAINT COLOR	SW7944	AMAZING GRAY	
C-3	PAINT COLOR	SW 7009	IRON ORE	
C-4	PAINT COLOR	SW 7019	QUANTILET GRAY	
C-9	PAINT COLOR	SW 4084	SAFETY YELLOW	BOLLARDS/ETC
C-10	PAINT COLOR	SW-TM228	WHITE	TRAFFIC MARKING
SC	CONCRETE SEALER	PENETRATING	CLEAR/MATTE	3 COATS
CONC-1	CONCRETE PATIO WALL	SMOOTH FORMED	-	
CONC-4	COLORLED CONCRETE	SCDFIELD - INTEGRAL COLORLED	BROWNS TONE	WITH SC
CMU-1	STANDARD CONCRETE BLOCK	-	-	SEE SPECIFICATION SECTION 04 2000
PS	PAINT SYSTEM	-	-	SEE SPECIFICATION SECTION 09 9100

CERTIFICATION



PRANGER GROUP INC.  
PROJECT MANAGER

PROJECT NUMBER  
5748

**BUFFALO WILD WINGS**  
BIRMINGHAM  
1416 4th AVENUE SOUTH,  
BIRMINGHAM, AL 35233



**BUFFALO WILD WINGS**

NO	DESCRIPTION	DATE
1		
2		
3		
4		
5		
6		
7		

Drawing Title  
**FINISH SCHEDULE, FINISH DETAILS**

**A106**