

Order Plans @ WWW.PDFME.COM

E SERIES: 8" METAL STUD PARTITION TYPES

TYPE	PIN WIDTH	DESCRIPTION	NOTES (SEE BELOW)
1	8-1/2"	5/8" GYPSUM BOARD (GYB-2) EACH SIDE - NO INSULATION	
2	8-1/2"	5/8" GYPSUM BOARD (GYB-2) EACH SIDE W/ SOUND BATT INSULATION	
3	8-1/2"	5/8" CEMENT BACKER BOARD (CBD-1) EACH SIDE W/ SOUND BATT INSULATION	
4	8-1/2"	5/8" PLYWOOD SHEATHING (SHTG-3) W/ 5/8" CEMENT BACKER BOARD (CBD-1) TO 24" A.F.F. AT INTERIOR SIDE OF PARTITION, 5/8" GYP BD (GYB-2) AT EXTERIOR OF PARTITION - NO INSULATION	

NOTES

C SERIES: 3-5/8" METAL STUD PARTITION TYPES

TYPE	PIN WIDTH	DESCRIPTION	NOTES (SEE BELOW)
1	4-7/8"	5/8" GYPSUM BOARD (GYB-2) EACH SIDE - NO INSULATION	
2	4-7/8"	5/8" GYPSUM BOARD (GYB-2) EACH SIDE W/ SOUND BATT INSULATION	
3	4-7/8"	5/8" CEMENT BACKER BOARD (CBD-1) EACH SIDE - NO INSULATION	
4	4-7/8"	5/8" CEMENT BACKER BOARD (CBD-1) EACH SIDE W/ SOUND BATT INSULATION	
5	4-7/8"	5/8" PLYWOOD SHEATHING (SHTG-3) EACH SIDE W/ 5/8" CEMENT BACKER BOARD (CBD-1) TO 12" A.F.F. AT INTERIOR SIDE OF PARTITION - NO INSULATION	
6	4-7/8"	5/8" PLYWOOD SHEATHING (SHTG-3) EACH SIDE W/ 5/8" CEMENT BACKER BOARD (CBD-1) TO 24" A.F.F. - NO INSULATION	
7	4-7/8"	5/8" PLYWOOD SHEATHING (SHTG-3) EACH SIDE W/ 5/8" CEMENT BACKER BOARD (CBD-1) TO 24" A.F.F. W/ SOUND BATT INSULATION	
8	4-7/8"	5/8" PLYWOOD SHEATHING (SHTG-3) W/ 5/8" CEMENT BACKER BOARD (CBD-1) TO 24" A.F.F. AT INTERIOR SIDE OF PARTITION, 5/8" GYP BD (GYB-2) AT EXTERIOR OF PARTITION - NO INSULATION	
9	4-7/8"	5/8" PLYWOOD SHEATHING (SHTG-3) W/ 5/8" CEMENT BACKER BOARD (CBD-1) TO 24" A.F.F. ONE SIDE OF PARTITION, 5/8" GYP BD (GYB-2) AT OTHER SIDE OF PARTITION - NO INSULATION	

NOTES

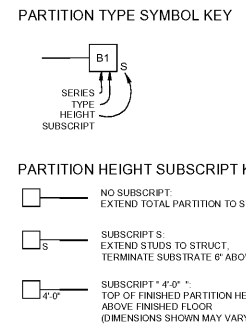
B SERIES: 6" METAL STUD BAR PARTITION TYPE

TYPE	PIN WIDTH	DESCRIPTION	NOTES (SEE BELOW)
1	7-1/4"	5/8" PLYWOOD SHEATHING (SHTG-3) EACH SIDE W/ 5/8" CEMENT BACKER BOARD (CBD-1) TO 12" A.F.F. AT INTERIOR OF PARTITION	

NOTES
1 REFER TO TYPICAL BAR SECTION FOR UNIQUE SILL FRAMING CONDITION

A SERIES: 6" METAL STUD PARTITION TYPES

TYPE	PIN WIDTH	DESCRIPTION	NOTES (SEE BELOW)
1	7-1/4"	5/8" GYPSUM BOARD (GYB-2) EACH SIDE - NO INSULATION	
2	7-1/4"	5/8" GYPSUM BOARD (GYB-2) EACH SIDE W/ SOUND BATT INSULATION	
3	7-1/4"	5/8" CEMENT BACKER BOARD (CBD-1) EACH SIDE W/ SOUND BATT INSULATION	
4	7-1/4"	5/8" PLYWOOD SHEATHING (SHTG-3) EACH SIDE - NO INSULATION	
5	7-1/4"	5/8" PLYWOOD SHEATHING (SHTG-3) EACH SIDE W/ 5/8" CEMENT BACKER BOARD (CBD-1) TO 24" A.F.F. - NO INSULATION	
6	7-1/4"	5/8" PLYWOOD SHEATHING (SHTG-3) EACH SIDE W/ 5/8" CEMENT BACKER BOARD (CBD-1) TO 24" A.F.F. W/ SOUND BATT INSULATION	
7	7-1/4"	5/8" PLYWOOD SHEATHING (SHTG-3) W/ 5/8" CEMENT BACKER BOARD (CBD-1) TO 24" A.F.F. AT INTERIOR SIDE OF PARTITION, 5/8" GYP BD (GYB-2) AT EXTERIOR OF PARTITION - NO INSULATION	
8	7-1/4"	5/8" PLYWOOD SHEATHING (SHTG-3) W/ 5/8" CEMENT BACKER BOARD (CBD-1) TO 24" A.F.F. ONE SIDE OF PARTITION, 5/8" GYP BD (GYB-2) AT OTHER SIDE W/ SOUND BATT INSULATION	
9	7-1/4"	5/8" PLYWOOD SHEATHING (SHTG-3) W/ 5/8" CEMENT BACKER BOARD (CBD-1) TO 24" A.F.F. ONE SIDE OF PARTITION, 5/8" GYP BD (GYB-2) AT OTHER SIDE W/ SOUND BATT INSULATION	
10	7-5/8"	FIBER CEMENT PANELS (FCP-1) TO 13'-11" A.F.F. W/ 5/8" GYPSUM BOARD (GYB-2) ABOVE ONE SIDE OF PARTITION, 5/8" PLYWOOD SHEATHING (SHTG-3) W/ 5/8" CEMENT BACKER BOARD (CBD-1) TO 24" A.F.F. OTHER SIDE W/ SOUND BATT INSULATION	
11	7-5/8"	FIBER CEMENT PANELS (FCP-1) TO 13'-11" A.F.F. W/ 5/8" GYPSUM BOARD (GYB-2) ABOVE ONE SIDE OF PARTITION, 5/8" CEMENT BACKER BOARD (CBD-1) OTHER SIDE W/ SOUND BATT INSULATION	
12	7-5/8"	FIBER CEMENT PANELS (FCP-1) TO 13'-11" A.F.F. W/ 5/8" GYPSUM BOARD (GYB-2) ABOVE ONE SIDE OF PARTITION, 5/8" GYP BD (GYB-2) OTHER SIDE W/ SOUND BATT INSULATION	
13	7-5/8"	5/8" PLYWOOD SHEATHING (SHTG-3) W/ 5/8" CEMENT BACKER BOARD (CBD-1) TO 24" A.F.F. AT OTHER SIDE OF PARTITION - NO INSULATION	
14	7-1/4"	5/8" CEMENT BACKER BOARD (CBD-1) ONE SIDE OF PARTITION, 5/8" GYPSUM BOARD (GYB-2) AT OTHER SIDE WITH SOUND BATT INSULATION	
15	7-5/8"	FIBER CEMENT PANELS (FCP-1) TO 13'-11" A.F.F. W/ 5/8" GYPSUM BOARD (GYB-2) ABOVE ONE SIDE OF PARTITION, 5/8" GYPSUM BOARD (GYB-2) OTHER SIDE - NO INSULATION	



PARTITION LATERAL BRACING SCHEDULE

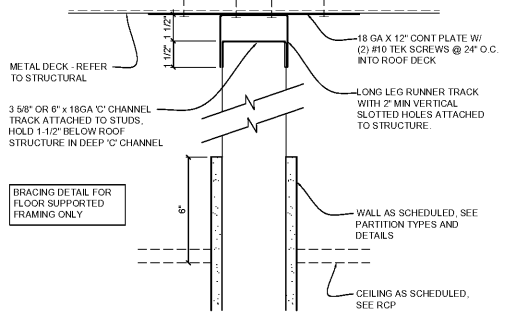
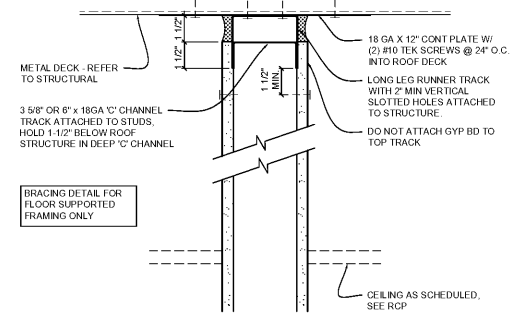
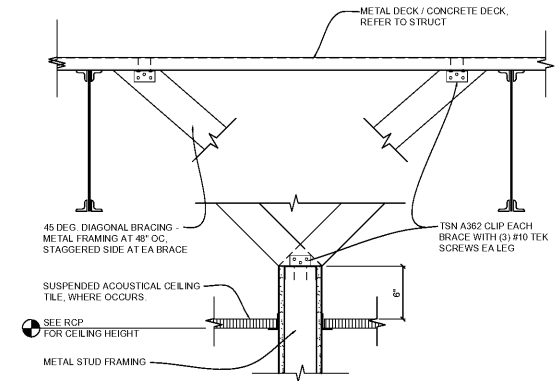
MINIMUM	MAXIMUM	NUMBER OF BRACES REQUIRED
0'	12'-0"	0
12'-0"	18'-0"	1
18'-0"	24'-0"	2
24'-0"	30'-0"	3

NOTES
1. ADD ONE BRACE PER EACH ADDITIONAL 6' OF PARTITION LENGTH.
2. PARTITION LENGTH BETWEEN LATERAL SUPPORT PROVIDED BY LATERAL SUPPORT OR INTERSECTING PERPENDICULAR PARTITIONS.
3. PROVIDE LATERAL BRACING AT UNSUPPORTED PARTITION ENDS.
4. PROVIDE LATERAL BRACING FOR PARTITIONS WHICH DO NOT EXTEND TO STRUCTURE.

- GENERAL PARTITION NOTES**
- ALL DIMENSIONS ARE TO FACE OF STUD UNLESS OTHERWISE NOTED.
 - WHERE A CLEAR DIMENSION OR OPENING IS REQUIRED OR NOTED, DIMENSIONS ARE MEASURED TO FACE OF PARTITION FINISH.
 - ALL WALL HEIGHTS ARE MEASURED FROM 0'-0" UNLESS NOTED OTHERWISE.
 - SEE STRUCTURAL DRAWINGS FOR LOCATIONS OF SHEAR WALLS AND SHEAR WALL CONSTRUCTION NOTES AND DETAILS.
 - SEE STRUCTURAL DRAWINGS FOR INTERIOR COLD FORMED METAL FRAMING PARTITIONS ("PORTAL" FRAMING).
 - TYPICAL METAL STUD SPACING TO BE 16" O.C. U.N.O.
 - METAL SILL TRACK TO BE ATTACHED WITH POWDER DRIVEN FASTENERS AT 24" O.C. - TYP. U.N.O.
 - STUD FRAMING SHOWN INDICATES THE MIN STANDARD STUD SIZE, WHERE CONDITIONS OF THE WORK CAUSE PARTITIONS TO EXCEED THE LIMITS RECOMMENDED BY STUD MFR. REINFORCE PARTITION AS NEEDED TO MEET THESE RECOMMENDATIONS.
 - PARTITION TYPES INDICATE THE GENERAL REQUIREMENTS FOR CONSTRUCTION REFER TO MFR'S RECOMMENDATIONS AND REQUIREMENTS OF APPLICABLE TESTING AGENCIES FOR THE SPECIFIC DETAILS OF PARTITION CONSTRUCTION.
 - WHERE DIFFERENT PARTITION SYSTEMS AND / OR FURRING MEET, MAINTAIN A FLUSH SURFACE ON THE STRAIGHT OR CONTINUOUS FACE, U.N.O.
 - WALLS BETWEEN KITCHEN AND BAR (OR BETWEEN KITCHEN AND DINING) TO HAVE SOUND INSULATION INSTALLED TO DECK.
 - COORDINATE ALL WALL HEIGHTS WITH FINISHES AND INTERIOR ELEVATIONS ON SHEET A201 ENSURE PROPER FRAMING HEIGHTS.
 - ALL INTERIOR WALLS AT THE PERIMETER OF THE KITCHEN AND RESTROOMS ARE TO BE SEALED AT THE ROOF'S STRUCTURE ABOVE. ADD BATT INSULATION (INS-1) AT ALL RESTROOMS AND KITCHEN WALLS AS INDICATED ON PLAN AND WALL TYPES.
 - PROVIDE FIREBLOCKING AT INTERCONNECTIONS BETWEEN CONCEALED STUD WALL OR PARTITION SPACES AND BETWEEN CONCEALED VERTICAL AND HORIZONTAL SPACES SUCH AS DROPPED CEILINGS.
 - PROVIDE FIRE RETARDANT TREATED WOOD BLOCKING OR SHEET METAL BLOCKING WITH PARTITION FOR SECURE ATTACHMENT OF ALL WALL HUNG FIXTURES, ACCESSORIES, FOOD SERVICE EQUIPMENT, ETC. BLOCKING REQUIRED FOR ALL EQUIPMENT SHOWN THROUGHOUT PLANS INCLUDING BUT NOT LIMITED TO THE FOLLOWING:
 - TOILET ACCESSORIES - SEE A207 GENERAL NOTES AND WALL FINISHES
 - BLOCKING FOR EQUIPMENT RESTRAINTS AT HOOD WALL
 - GENERAL KITCHEN BLOCKING
 - BUILDING SIGNAGE - SEE EXTERIOR ELEVATIONS
 - DATA RACK IN ELECTRICAL ROOM - SEE ELECTRICAL
 - PHONE BOARD IN ELECTRICAL ROOM - SEE ELECTRICAL
 - JUKE BOX BLOCKING - SEE 18A/703

F SERIES: EXTERIOR WALL TYPES

TYPE	PIN WIDTH	DESCRIPTION	NOTES (SEE BELOW)
1	N/A	5/8" CEMENT BACKER BOARD (CBD-1) TO 24" A.F.F. W/ 5/8" PLYWOOD SHEATHING (SHTG-3) FR1 FROM 24" A.F.F. TO 12'-0" A.F.F. ON EXTERIOR WALL FRAMING.	
2	N/A	5/8" MOLD & MOISTURE RESISTANT GYPSUM BOARD (GYB-2) TO 12'-0" A.F.F. ON EXTERIOR WALL FRAMING.	
3	N/A	FIBER CEMENT PANELS (FCP-1) TO 13'-11" A.F.F. W/ 5/8" GYPSUM BOARD (GYB-2) FROM 13'-11" TO ROOF DECK ON EXTERIOR WALL FRAMING.	
4	N/A	5/8" CEMENT BACKER BOARD (CBD-1) ON EXTERIOR WALL FRAMING TO 9'-0" A.F.F.	
5	N/A	5/8" CEMENT BACKER BOARD (CBD-1) TO 24" A.F.F. W/ 5/8" PLYWOOD SHEATHING (SHTG-3) FR1 FROM 24" A.F.F. TO 8'-1" A.F.F. W/ FIBER CEMENT PANELS (FCP-1) FROM 8'-1" TO 13'-11" W/ GYPSUM BOARD (GYB-2) FROM 13'-11" TO ROOF DECK ON EXTERIOR WALL FRAMING.	
6	N/A	5/8" MOLD & MOISTURE RESISTANT GYPSUM BOARD (GYB-2) TO 9'-0" A.F.F. ON EXTERIOR WALL FRAMING.	
7	N/A	5/8" MOLD & MOISTURE RESISTANT GYPSUM BOARD (GYB-2) TO 9'-3" A.F.F. ON EXTERIOR WALL FRAMING.	
8	N/A	5/8" CEMENT BACKER BOARD (CBD-1) TO 12'-0"	



CERTIFICATION

PRANGER GROUP INC.
PROJECT MANAGER

PROJECT NUMBER
5748

BUFFALO WILD WINGS
BIRMINGHAM
1416 4th AVENUE SOUTH,
BIRMINGHAM, AL 35233

BUFFALO WILD WINGS

DRAWING ISSUE

NO	DESCRIPTION	DATE
1		
2		
3		
4		
5		
6		
7		

Drawing Title
PARTITION TYPES AND DETAILS

A103