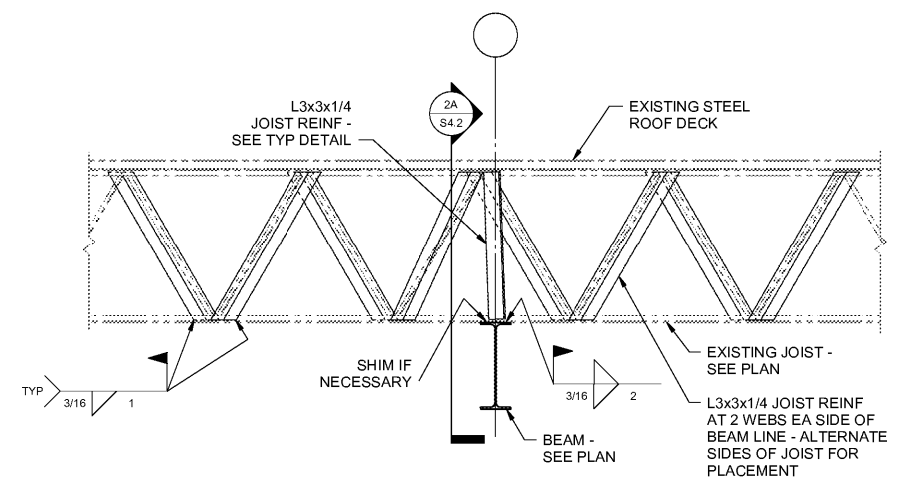
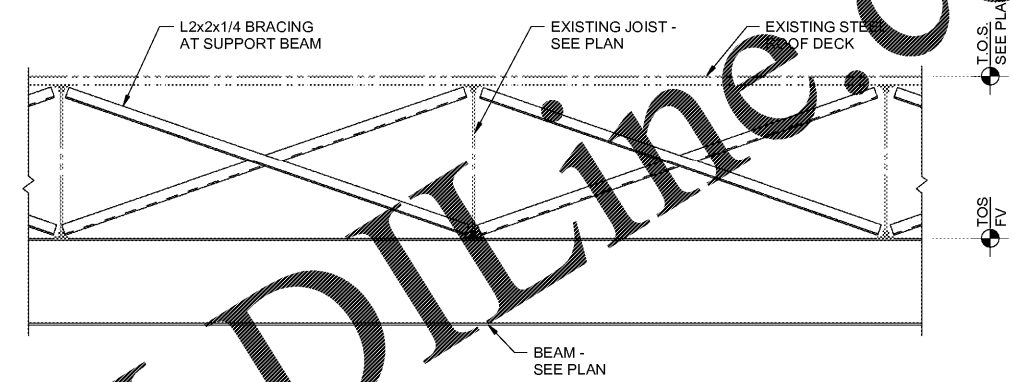


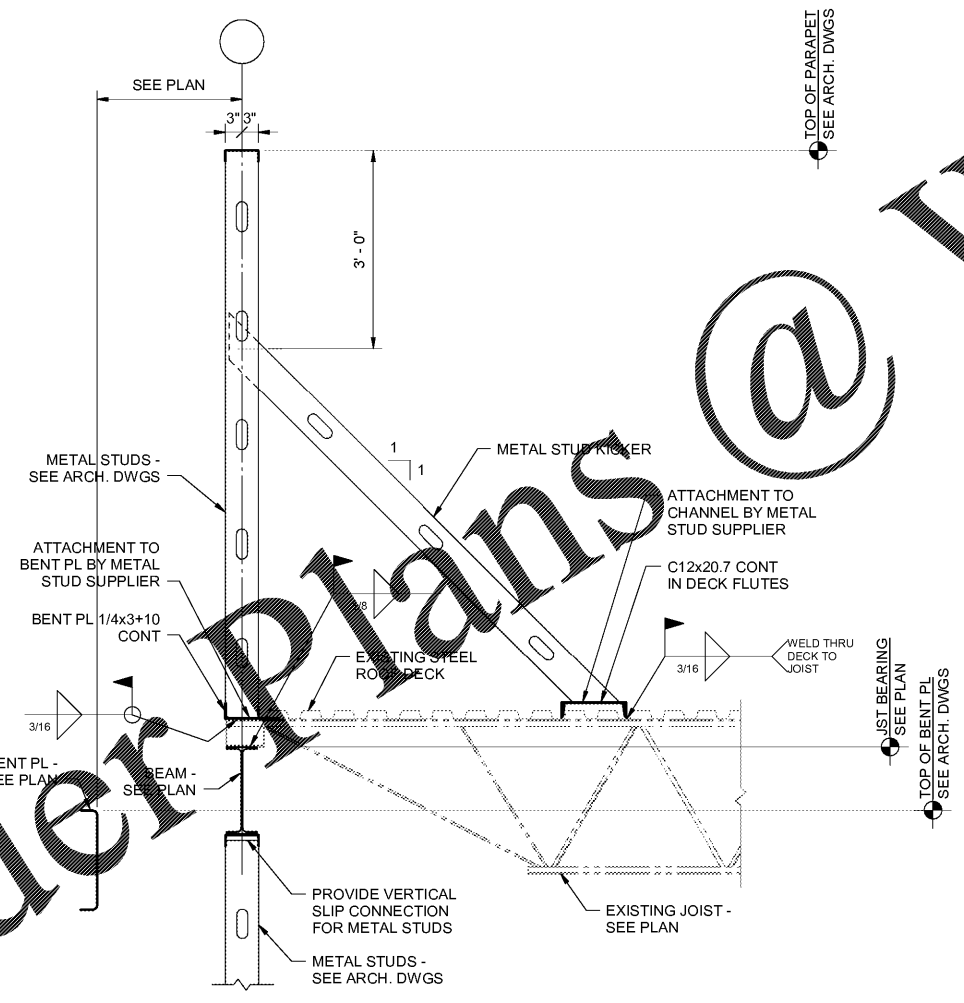
1 Section
S4.2 3/4" = 1'-0"



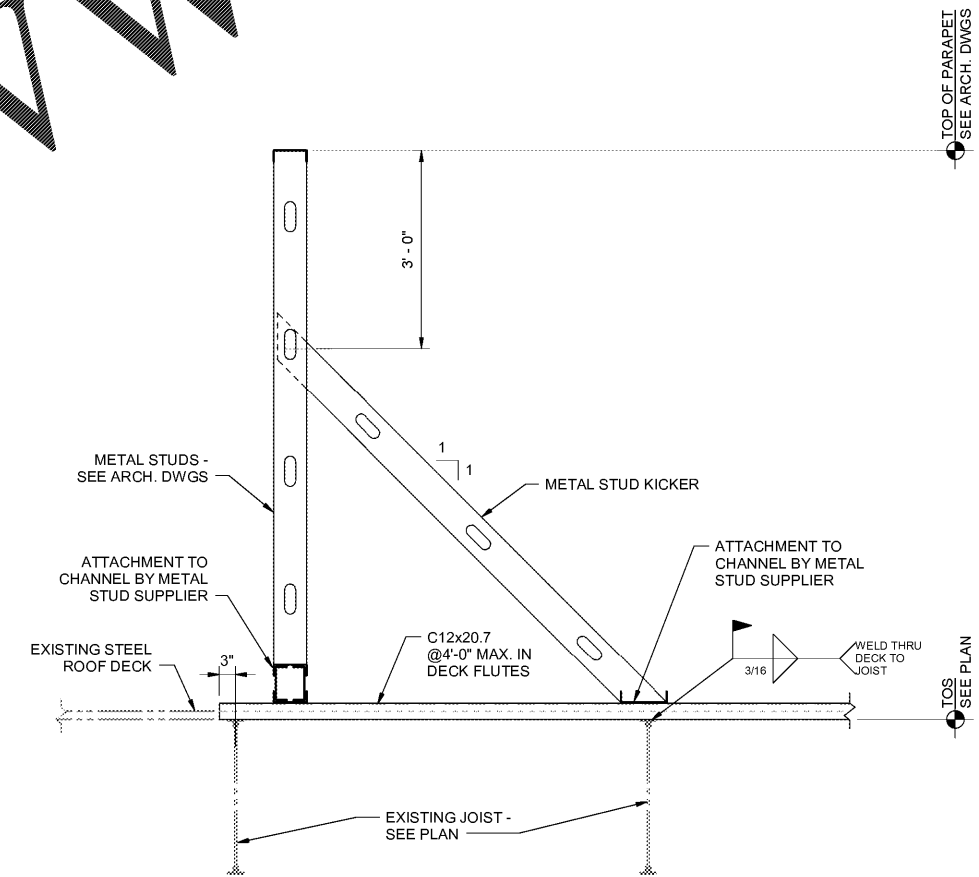
2 Section
S4.2 3/4" = 1'-0"



2A Section
S4.2 3/4" = 1'-0"



3 Section
S4.2 3/4" = 1'-0"



4 Section
S4.2 3/4" = 1'-0"

Order Plans @

WWW.LDLINE.COM

LBYP ENGINEERS
Birmingham, Alabama
Huntsville, Alabama
Auburn, Alabama
Tampa Bay, Florida
www.lbyd.com

LBYP, Inc.
716 South 30th Street
Birmingham, AL 35233
Phone (205) 251-4500
Fax (205) 324-4181

Copyright 2017
These drawings and design intent are the sole property of LBYP Inc. which may not be reproduced without written permission.

LBYP Project Number
101-17-380.001

NOT FOR CONSTRUCTION

Date	Revision

Project Name
**Buffalo Wild Wings
Realty Link
1416 4th Avenue South,
Birmingham, AL 35233**

Sheet Title
ROOF SECTIONS

Date
01-19-2018

Checked By
REB

Drawn By
MDB

Sheet Number
S4.2

Sequence
Total