

**NOT FOR CONSTRUCTION**

Date	
Revision	

Project Name  
**Buffalo Wild Wings  
 Realty Link  
 1416 4th Avenue South,  
 Birmingham, AL 35233**

Sheet Title  
**ROOF SECTIONS**

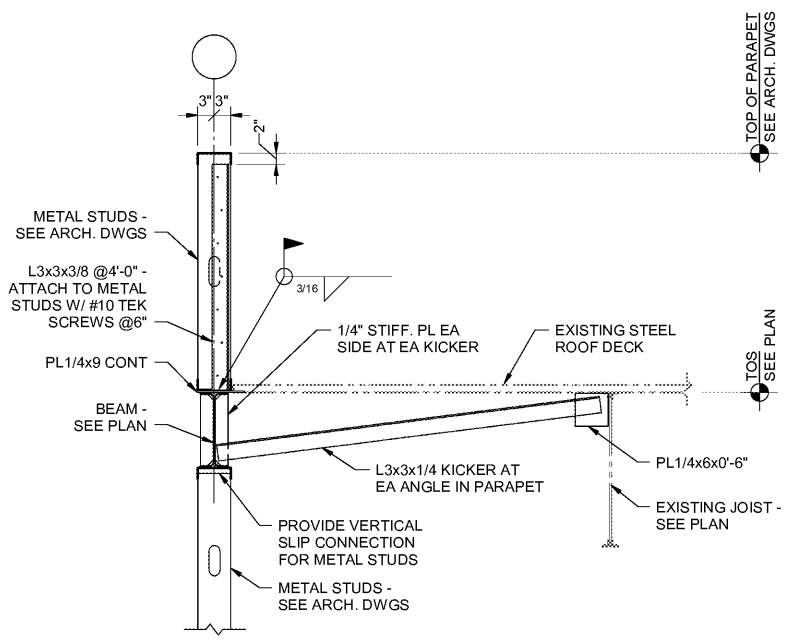
Date  
 01-19-2018

Checked By  
 REB

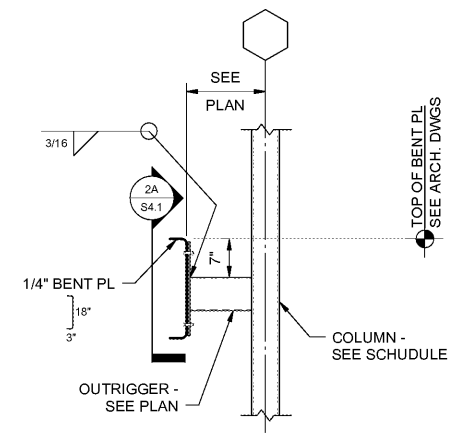
Drawn By  
 MDB

Sheet Number  
 S4.1

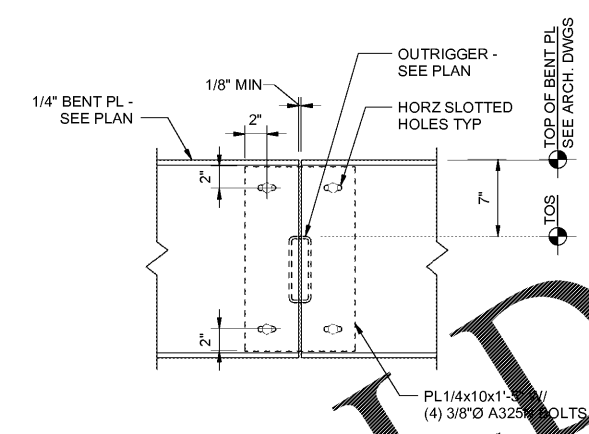
Sequence  
 Total



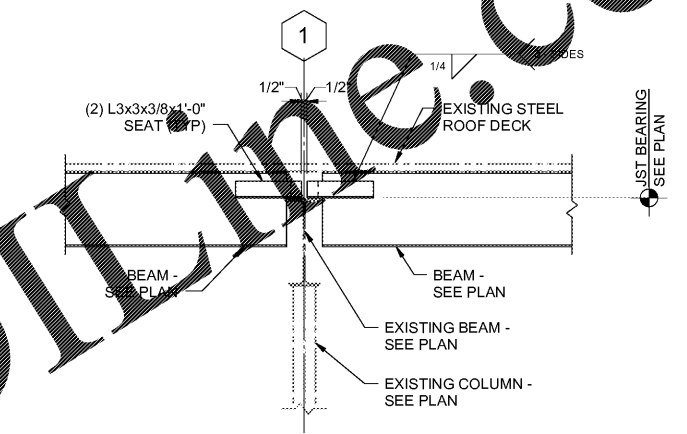
**1 Section**  
 S4.1 3/4" = 1'-0"



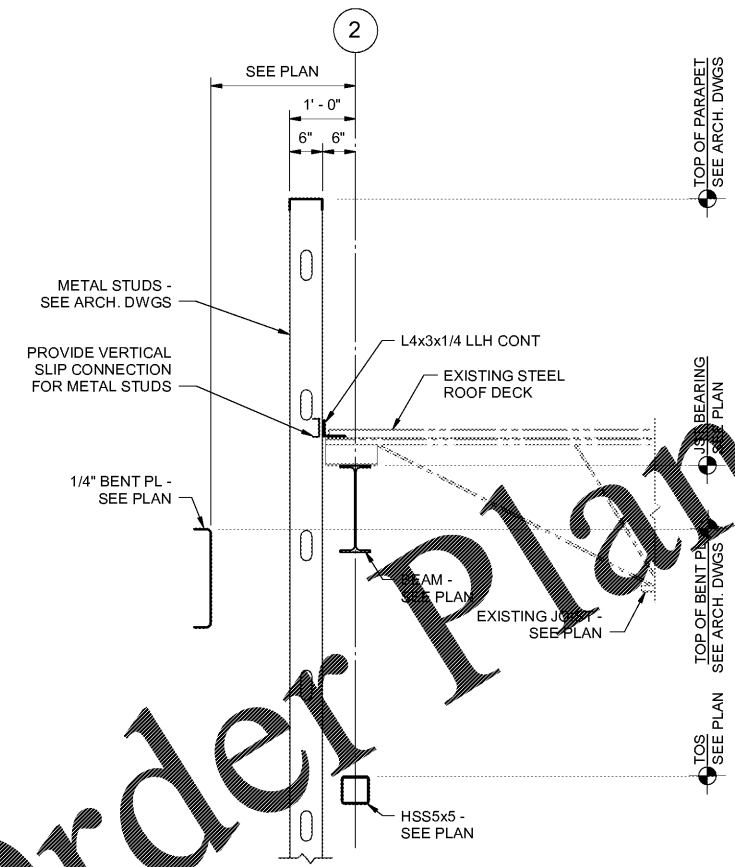
**2 Section**  
 S4.1 3/4" = 1'-0"



**2A Section**  
 S4.1 1 1/2" = 1'-0"

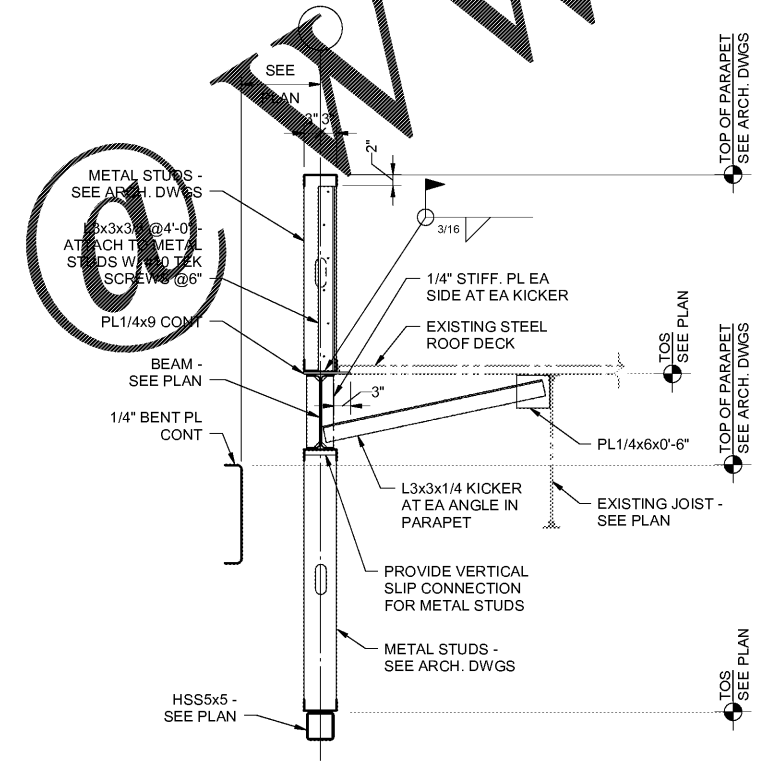


**3 Section**  
 S4.1 3/4" = 1'-0"



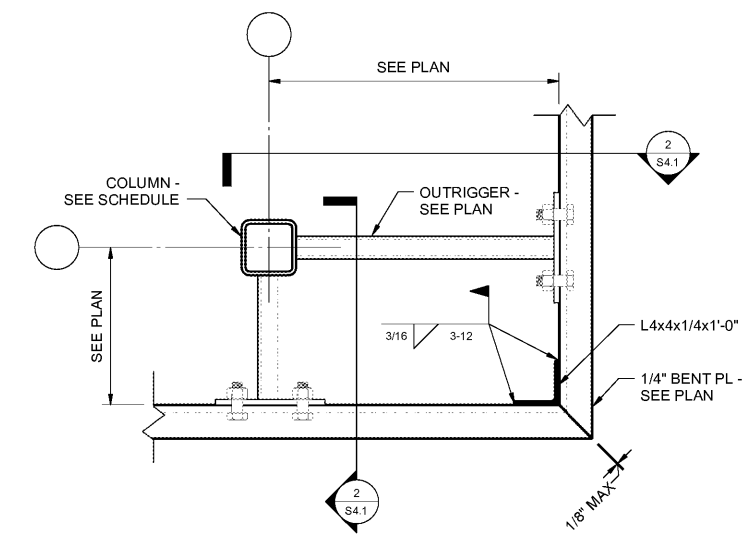
**4 Section**  
 S4.1 3/4" = 1'-0"

NOTE:  
 AT SIM CONDITION, LOW BEAM NOT APPLICABLE.



**5 Section**  
 S4.1 3/4" = 1'-0"

NOTE:  
 AT SIM CONDITION, LOW BEAM NOT APPLICABLE.



**6 Detail**  
 S4.1 1 1/2" = 1'-0"

**Order Plans**

**WWW.LDLINE.COM**