

**NOT FOR CONSTRUCTION**

Date	Revision

Project Name  
**Buffalo Wild Wings Realty Link**  
 1416 4th Avenue South,  
 Birmingham, AL 35233

Sheet Title  
**FOUNDATION SECTIONS**

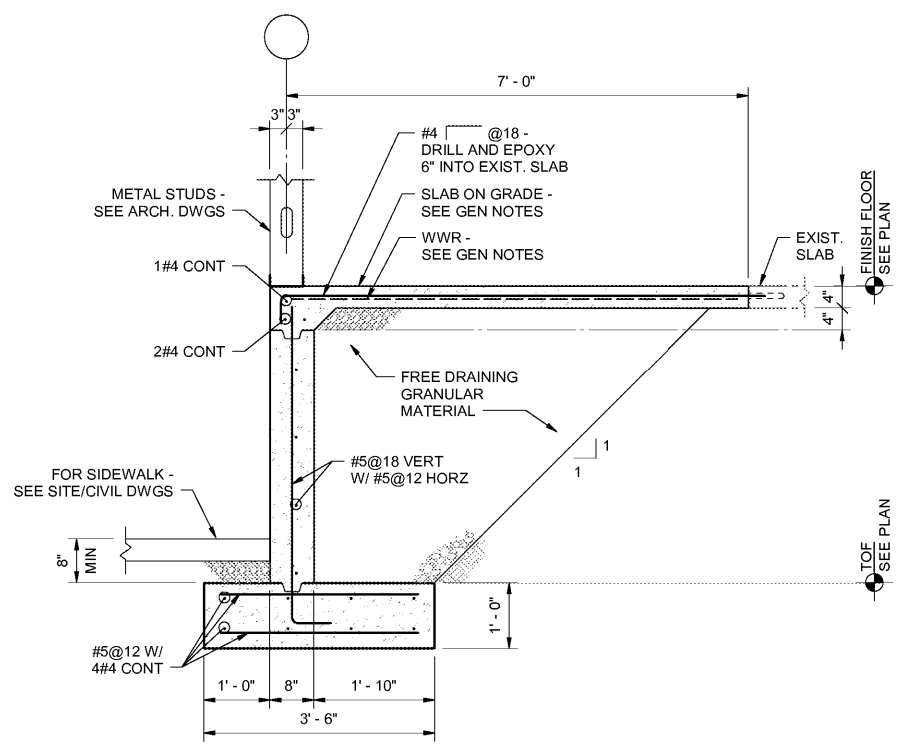
Date  
 01-19-2018

Checked By  
 REB

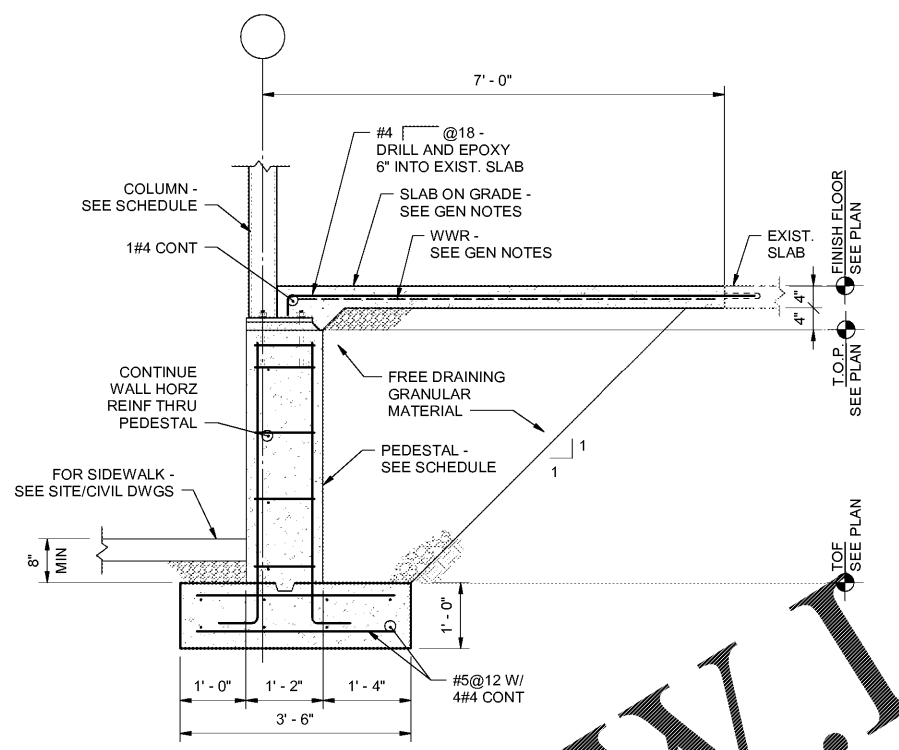
Drawn By  
 MDB

Sheet Number  
 S3.1

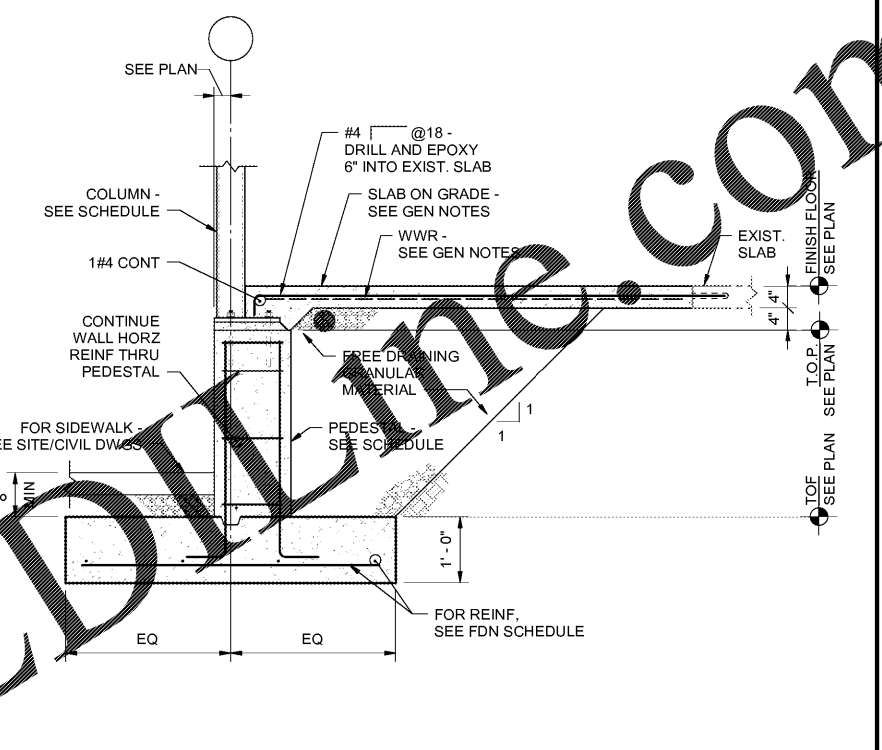
Sequence  
 Total



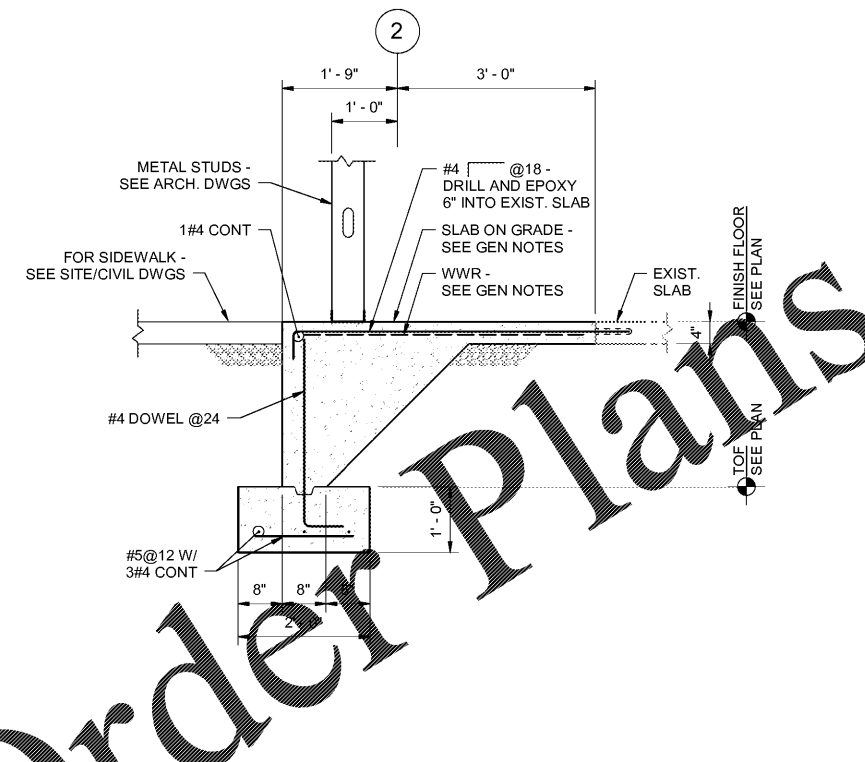
**1 Section**  
 S3.1 3/4" = 1'-0"



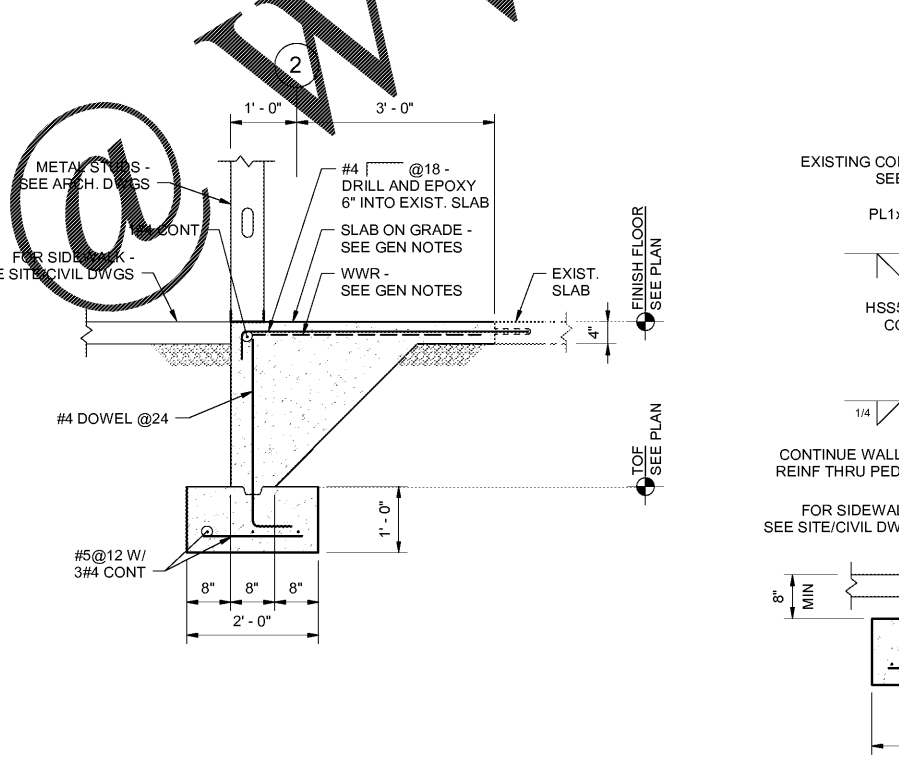
**2 Section**  
 S3.1 3/4" = 1'-0"



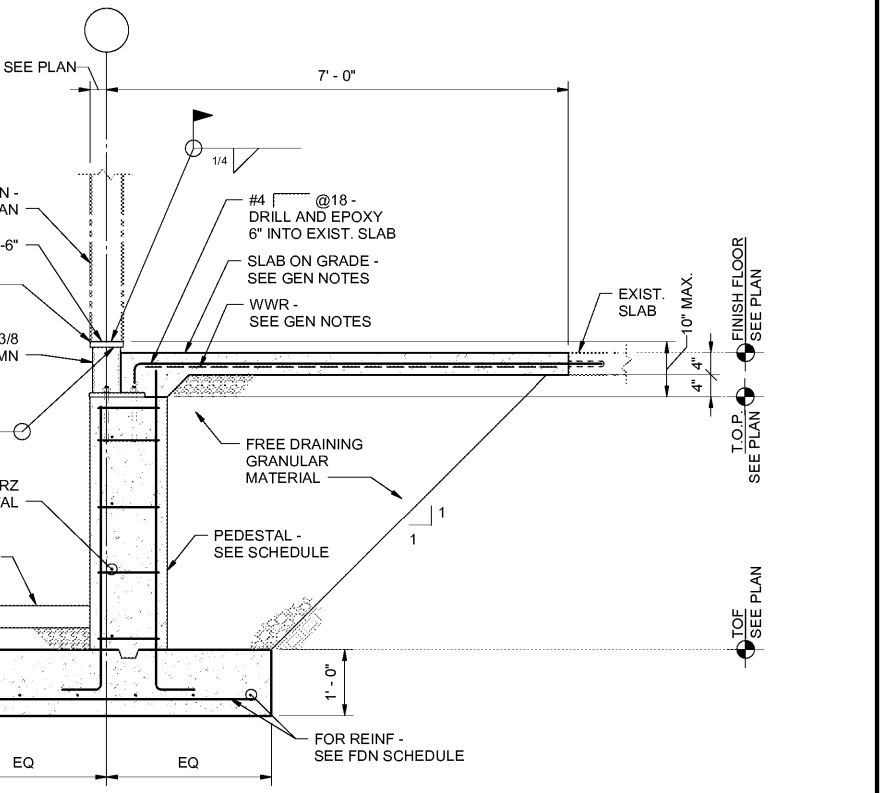
**3 Section**  
 S3.1 3/4" = 1'-0"



**4 Section**  
 S3.1 3/4" = 1'-0"



**5 Section**  
 S3.1 3/4" = 1'-0"



**6 Section**  
 S3.1 3/4" = 1'-0"

**Order Plans**