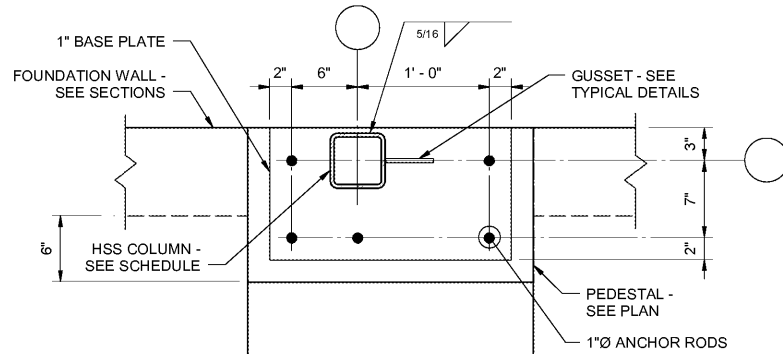
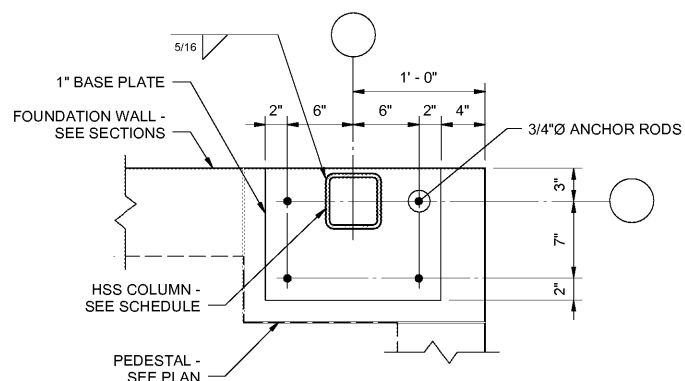


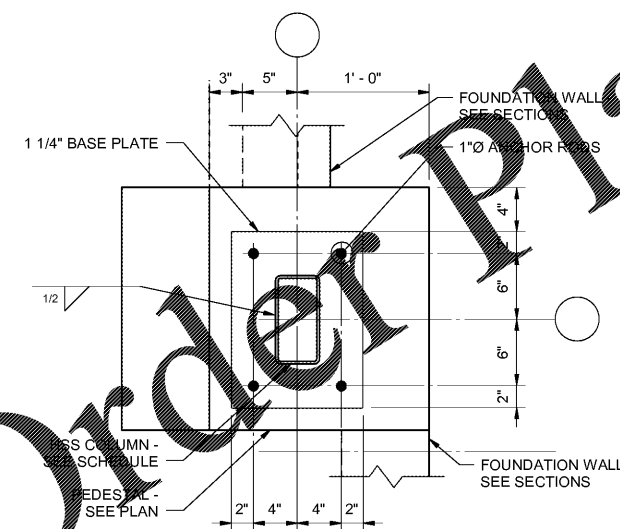
**P1 Pedestal**



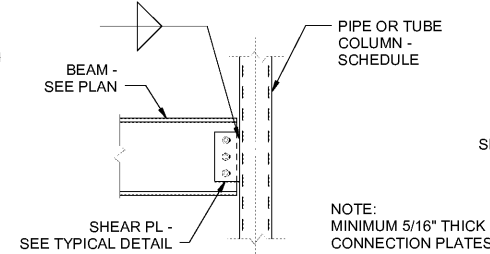
**P2 Pedestal**



**P3 Pedestal**

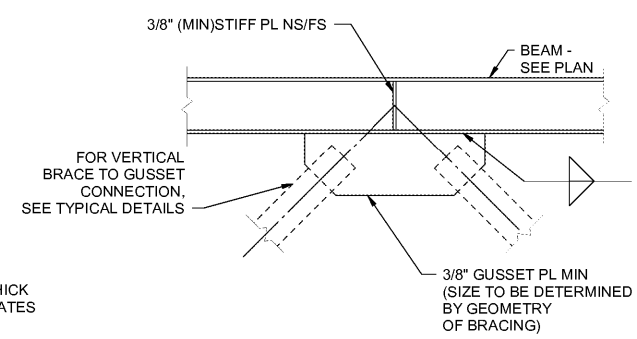


**P4 Pedestal**



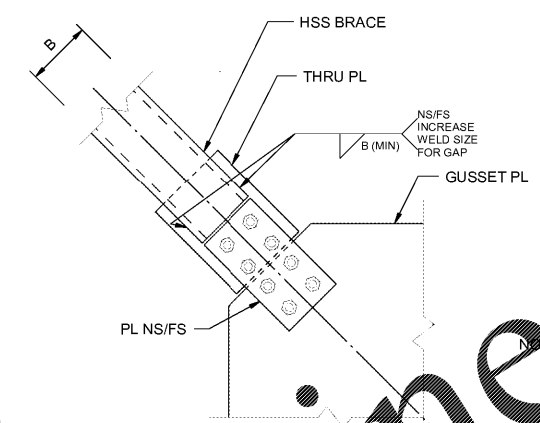
**Beam to Column Connection Detail**

NOTE: MINIMUM 5/16" THICK CONNECTION PLATES



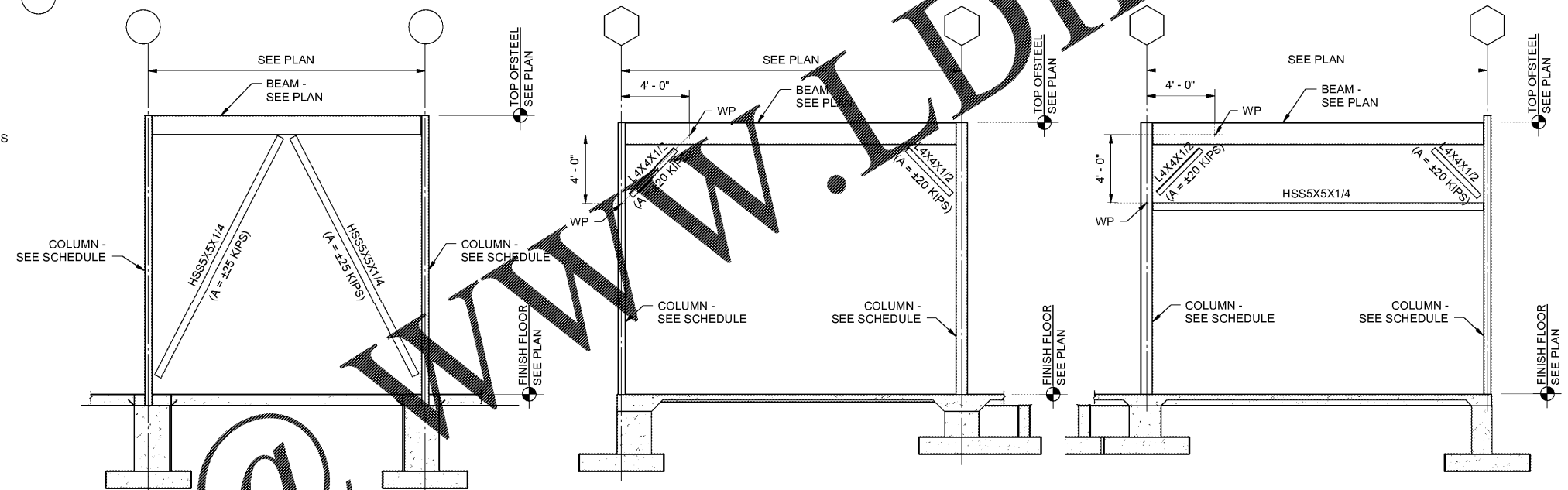
**Typical Concentric Brace Connection To Beam**

NOTE: THIS DETAIL IS SCHEMATIC AND IS NOT A COMPLETE DESIGN. DESIGN IS BY FABRICATOR/CONNECTION ENGINEER.



**Typical HSS Brace To Gusset Connection**

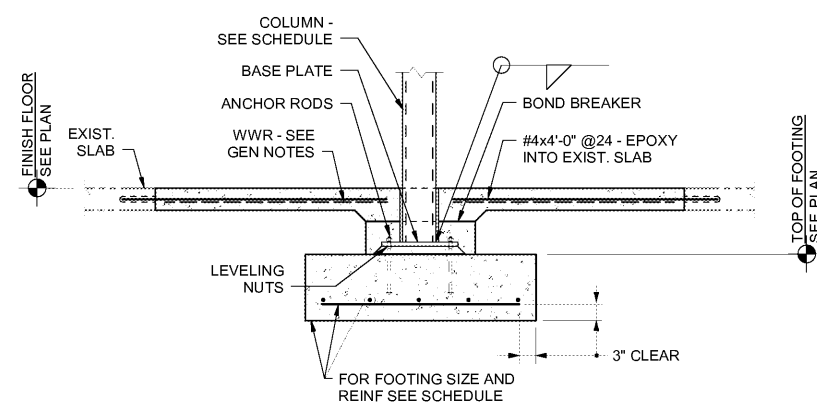
NOTE: THIS DETAIL IS SCHEMATIC AND IS NOT A COMPLETE DESIGN. DESIGN IS BY FABRICATOR/CONNECTION ENGINEER.



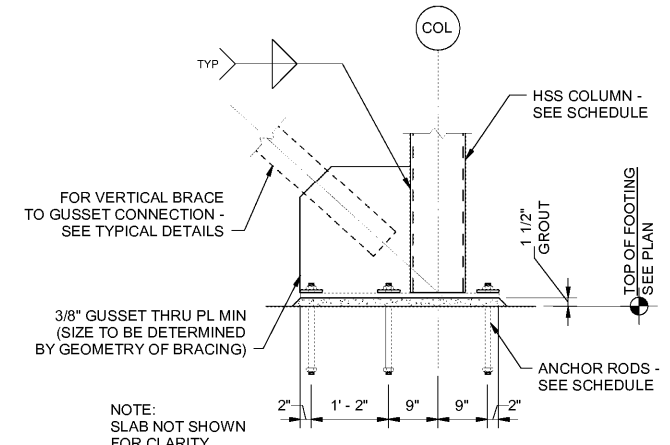
**1 Elevation**  
S1.6 1/4" = 1'-0"

**2 Elevation**  
S1.6 1/4" = 1'-0"

**3 Elevation**  
S1.6 1/4" = 1'-0"



**Column Base and Footing Detail**



**Detail**

NOTE:  
1. THIS DETAIL IS SCHEMATIC AND IS NOT A COMPLETE DESIGN. DESIGN IS BY FABRICATOR/CONNECTION ENGINEER.  
2. SLAB NOT SHOWN FOR CLARITY

Order Plans

**LBYP ENGINEERS**  
Birmingham, Alabama  
Huntsville, Alabama  
Auburn, Alabama  
Tampa Bay, Florida  
www.lbyd.com

**LBYP, Inc.**  
716 South 30th Street  
Birmingham, AL 35233  
Phone (205) 251-4500  
Fax (205) 324-4181

Copyright 2017  
These drawings and design intent are the sole property of LBYP Inc. which may not be reproduced without written permission.

LBYP Project Number  
101-17-380.001

NOT FOR CONSTRUCTION

Date	
Revision	

Project Name  
**Buffalo Wild Wings  
Realty Link  
1416 4th Avenue South,  
Birmingham, AL 35233**

Sheet Title  
TYPICAL DETAILS

Date  
01-19-2018

Checked By  
REB

Drawn By  
MDB

Sheet Number  
S1.6

Sequence  
Total