

Date	Revision

Project Name
**Buffalo Wild Wings
 Realty Link
 1416 4th Avenue South,
 Birmingham, AL 35233**

Sheet Title
 TYPICAL DETAILS

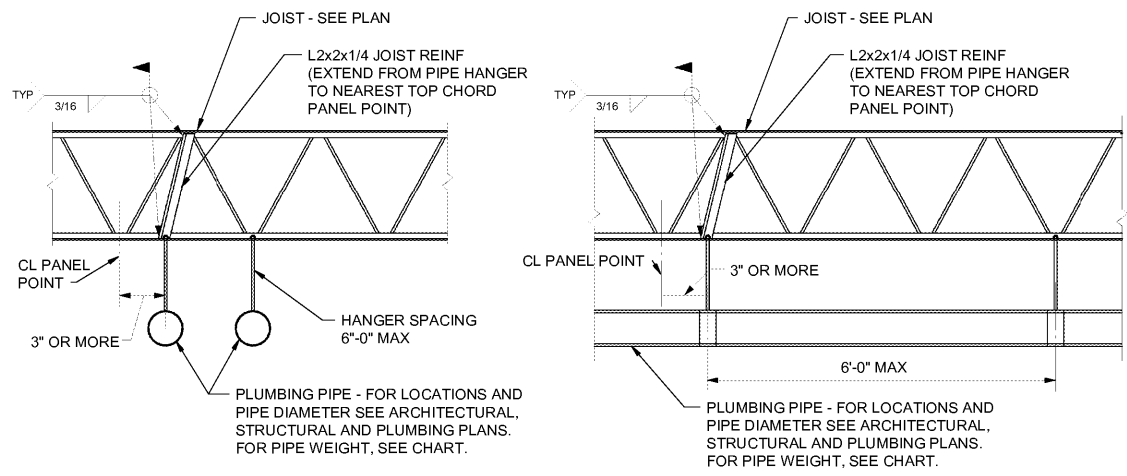
Date
 01-19-2018

Checked By
 REB

Drawn By
 MDB

Sheet Number
 S1.5

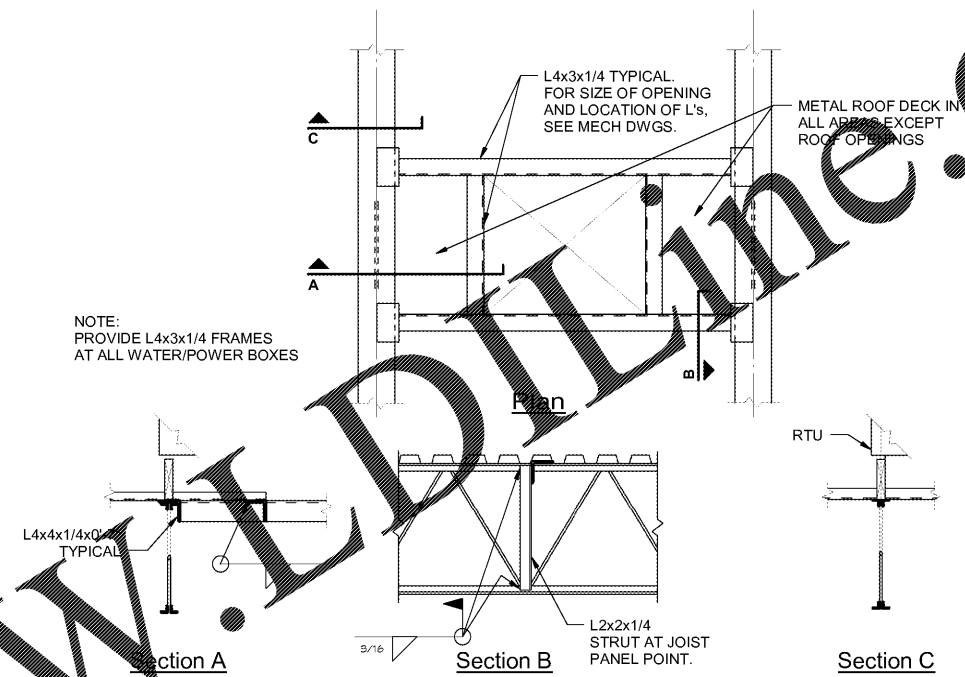
Sequence
 Total



NOMINAL PIPE Ø (IN)	WEIGHT OF PIPE&WATER(pwf)
4	17.9
5	25.5
6	34.7
8	55.3

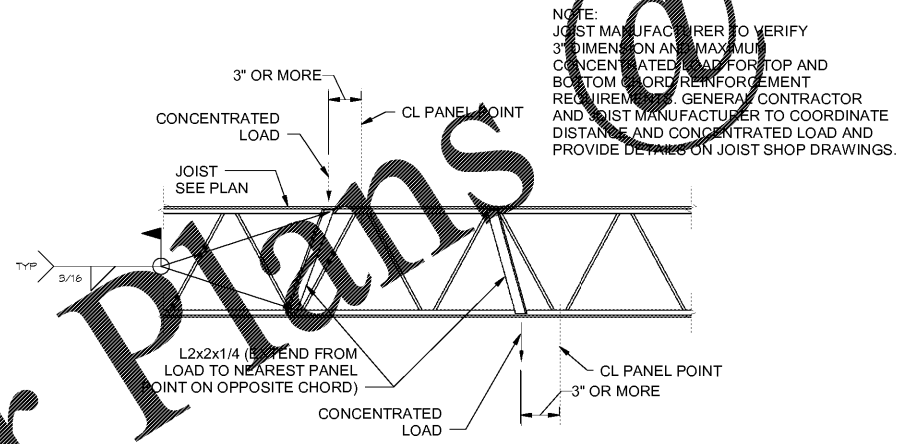
NOTE:
 JOIST SUPPLIER TO DESIGN JOIST FOR ADDITIONAL PIPING LOAD. CONTRACTOR TO COORDINATE PIPE SIZES & LOCATIONS W/ JOIST SUPPLIER. JOIST MANUFACTURER TO VERIFY 3" DIMENSION AND MAXIMUM CONCENTRATED LOAD FOR TOP AND BOTTOM CHORD REINFORCEMENT REQUIREMENTS. GENERAL CONTRACTOR AND JOIST MANUFACTURER TO COORDINATE 3" DISTANCE AND CONCENTRATED LOAD AMOUNT AND PROVIDE DETAILS ON JOIST SHOP DRAWINGS.

Joist Reinforcement Pipe Hanger Detail

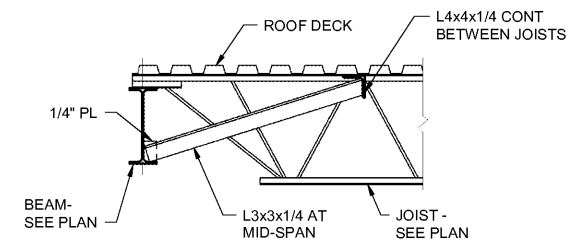


Roof Equipment Opening Frame Detail

At All Openings in Roof Larger Than 8"



Joist Reinforcement Detail



Braced Frame Beam Flange Bracing Detail

Joist Perpendicular to Beam

Order Plans @ WWW.LBYDLINE.COM