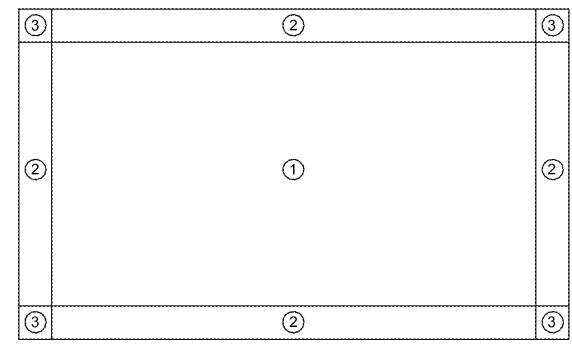


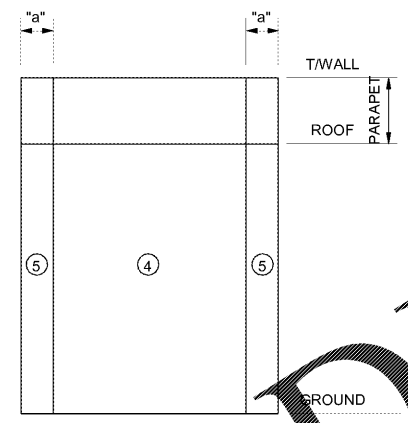
Components and Cladding Gross Wind Pressures (Vult per ASCE 7-10)			
ZONE	EFFECTIVE WIND AREA (SQ FT)	MAX POSITIVE PRESSURE (PSF)	MAX NEGATIVE PRESSURE (PSF)
1	10	16.0	-23.8
	20	16.0	-23.2
	50	16.0	-22.4
	>100	16.0	-21.8
2	10	16.0	-40.0
	20	16.0	-35.8
	50	16.0	-30.1
	>100	16.0	-25.9
3	10	16.0	-60.2
	20	16.0	-49.9
	50	16.0	-36.2
	>100	16.0	-25.9
4	10	21.8	-23.6
	20	20.8	-22.6
	50	19.6	-21.4
	100	18.6	-20.4
5	10	21.8	-23.6
	20	20.8	-22.6
	50	19.6	-21.4
	100	18.6	-20.4
>500	16.4	-18.2	

WIDTH OF EDGE STRIP, a = 6' - 0"
 Zone 1 = Roof Interior Zone Zone 4 = Wall Interior Zone
 Zone 2 = Roof Edge Zone Zone 5 = Wall Edge Zone
 Zone 3 = Roof Edge Zone Internal Pressure Coefficient = ±0.18

Components and Cladding Gross Parapet Wind Pressures (Vult per ASCE 7-10)		
ZONE	EFFECTIVE WIND AREA (SQ FT)	MAX (NET) PRESSURE (PSF)
4	10	61.8
	20	56.6
	50	49.7
	>100	44.5
5	10	82.0
	20	70.7
	50	55.8
	>100	44.5

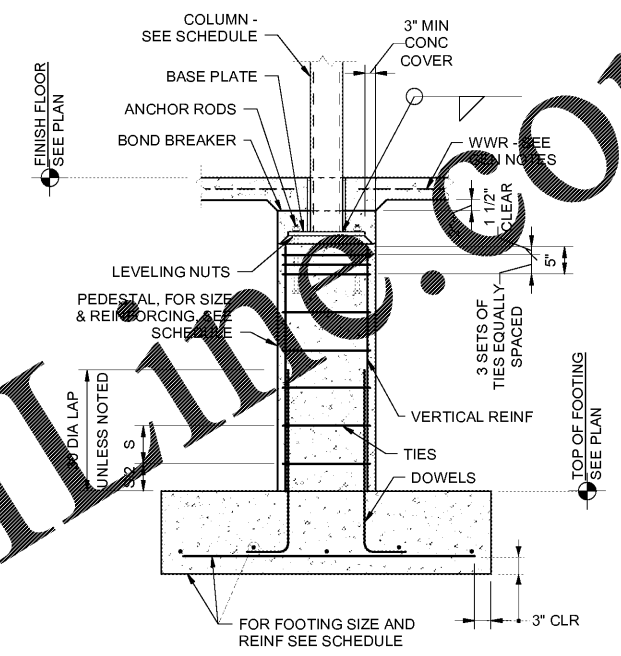


Roof Plan

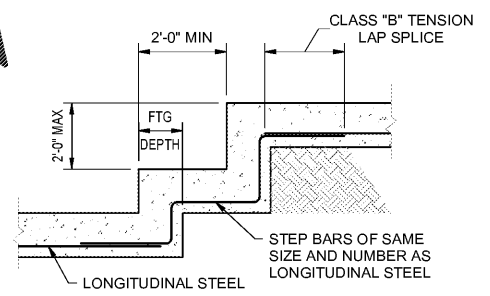


Wall Elevation

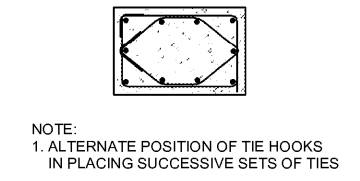
Components and Cladding Wind Pressures



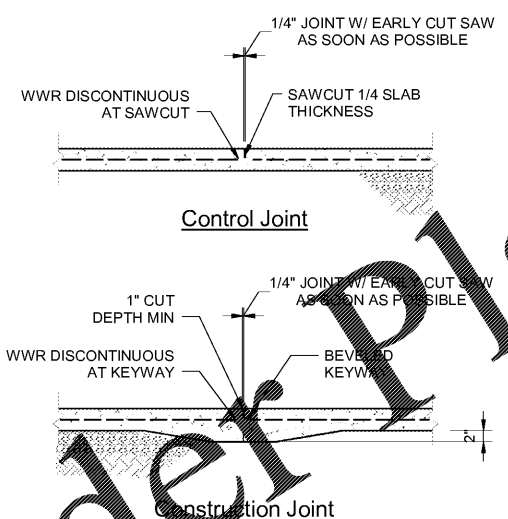
Column Base, Pedestal and Footing Detail



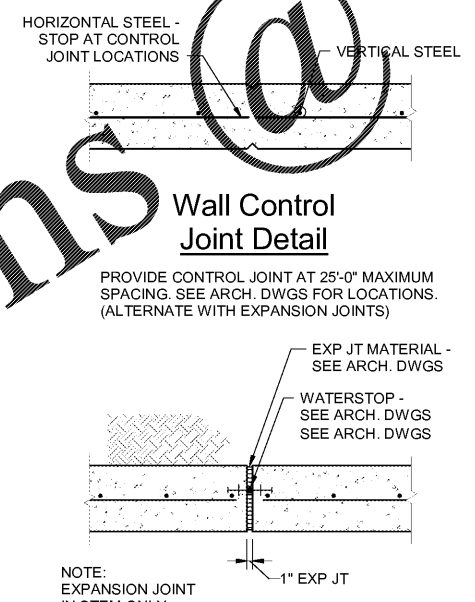
Footing Step Detail



Pedestal Tie Detail

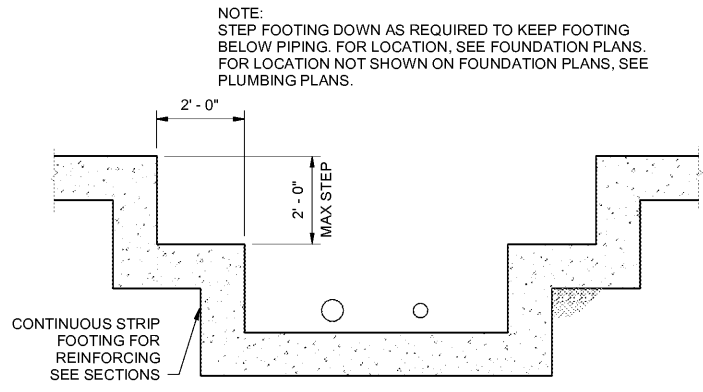


Slab Control Joint Details
 JOINT TYPE IS OPTIONAL

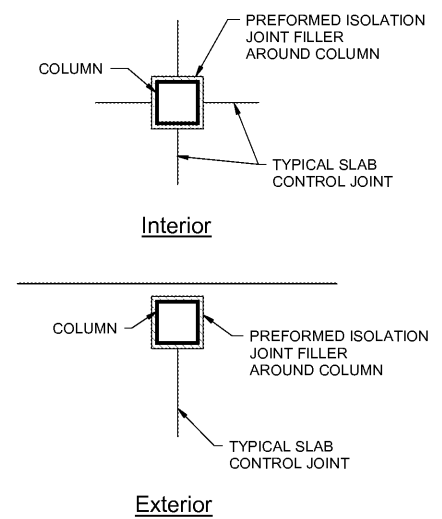


Wall Control Joint Detail

Wall Expansion Joint Detail



Foundation Wall at Piping



Isolation Joint Detail

Order Plans @ WWW.LBYDINC.COM

Date	Revision

Project Name
**Buffalo Wild Wings
 Realty Link
 1416 4th Avenue South,
 Birmingham, AL 35233**

Sheet Title
TYPICAL DETAILS

Date
 01-19-2018

Checked By
 REB

Drawn By
 MDB

Sheet Number
 S1.3

Sequence
 Total