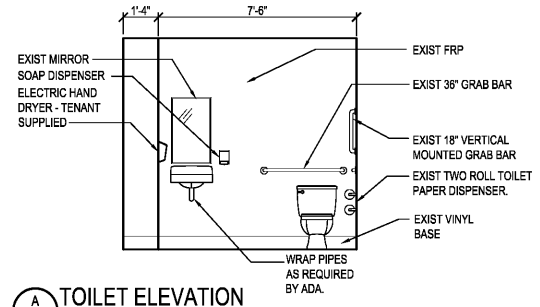
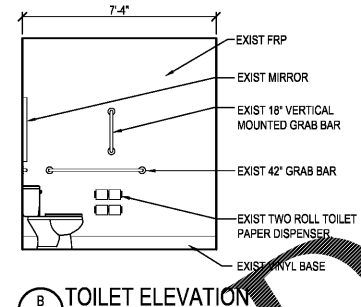


1 ENLARGED TOILET PLAN & EMPLOYEE AREA
A1.3 SCALE: 3/8" = 1'-0"

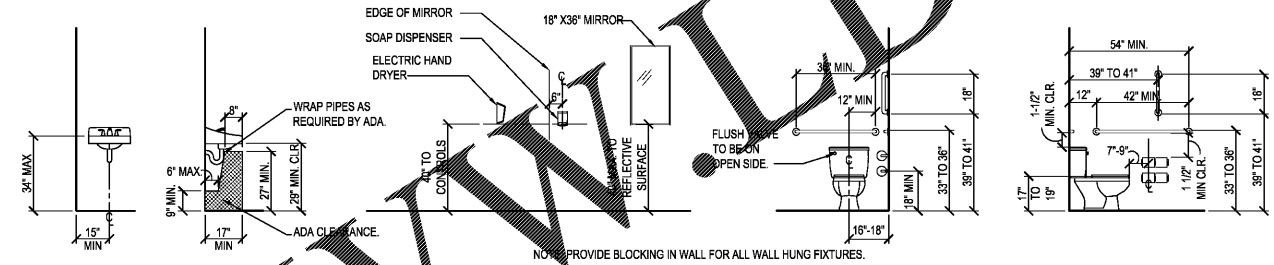


A TOILET ELEVATION
A1.3 SCALE: 3/8" = 1'-0"

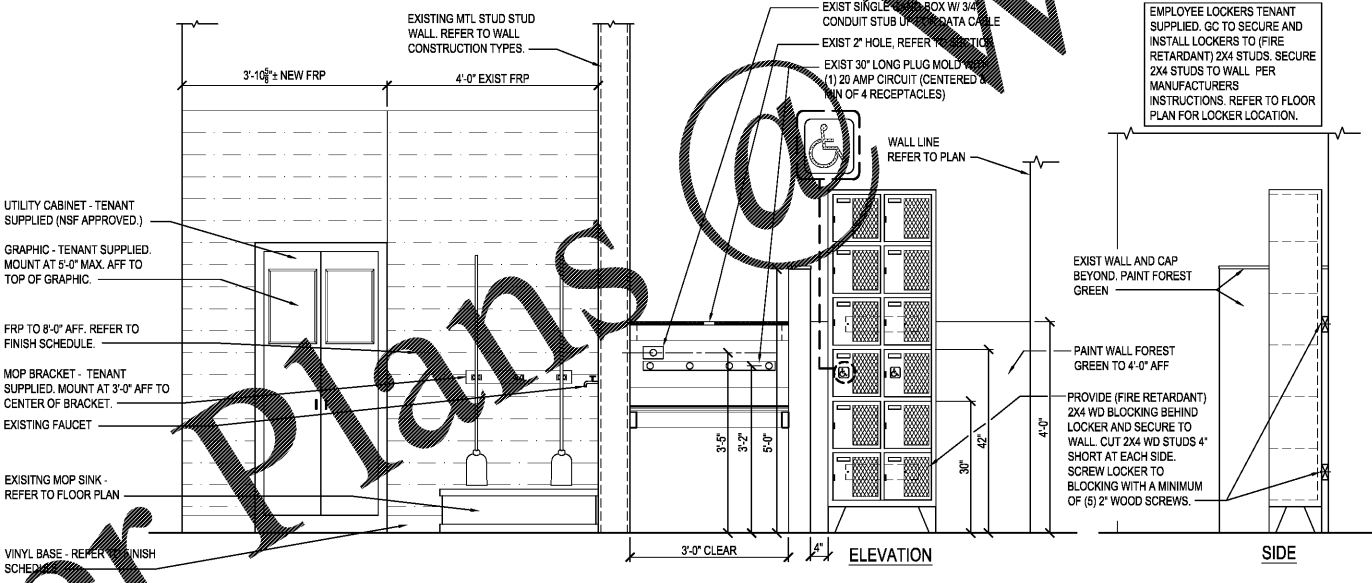


B TOILET ELEVATION
A1.3 SCALE: 3/8" = 1'-0"

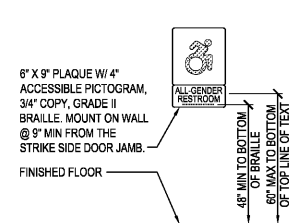
NOTE:
HAND DRYER AND SLATWALL ARE TENANT SUPPLIED AND ALL OTHER ACCESSORIES ARE EXISTING AND SHALL BE FIELD VERIFIED BY CONTRACTOR.
THE ELECTRIC HAND DRYER WILL NOT EXTEND MORE THAN 4" FROM THE WALL ON WHICH IT IS MOUNTED UNLESS IT HAS A LEADING EDGE AT OR BELOW FINISH FLOOR.
FLUSH CONTROLS SHALL BE LOCATED ON THE OPEN SIDE OF THE WATER TOILET.
CONTRACTOR SHALL FIELD VERIFY ALL EXISTING PLUMBING FIXTURES AND ACCESSORIES INCLUDING LANDLORD PROVIDED PLUMBING ACCESSORIES (HAND ACCESSORIES) COMPATIBLE WITH PLANS AND HANDICAPPED CODES AND LAWS. CONTRACTOR SHALL VERIFY COMPLIANCE TO FLOOR PLAN, ENLARGED PLANS AND ELEVATIONS THIS SET. NOTIFY CONSTRUCTION PM WITH ANY DISCREPANCIES.



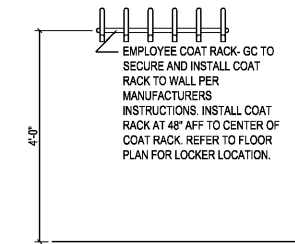
TYPICAL ACCESSIBILITY CLEARANCES
SCALE: 3/8" = 1'-0"



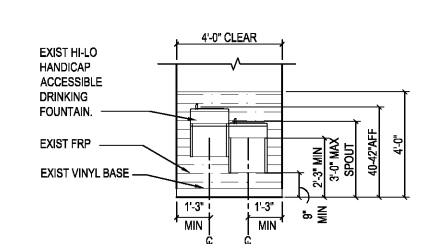
C UTILITY CABINET, MOPSINK, TRAINING DESK AND LOCKER ELEVATION
A1.3 SCALE: 3/4" = 1'-0"



D SIGNAGE ELEVATIONS
A1.3 SCALE: NTS



E COAT RACK ELEVATION
A1.3 SCALE: 3/4" = 1'-0"



F DRINKING FOUNTAIN ELEVATION
A1.3 SCALE: 3/8" = 1'-0"

description	
by	date
mark	revisions
date	project
designed	drawn
checked	date
10/10/2017	10/10/2017
SMB	SMB
SMB	DAE
RRMM ARCHITECTS, PC 1317 Executive Blvd, Suite 200 Chesapeake, VA 23320 (757)622-2828 / fax (757)622-6883	
DOLLAR TREE OAKBROOK STATION, DEAL #10654 SUMMERSVILLE, SOUTH CAROLINA ENLARGED PLAN AND ELEVATIONS	
project	drawing
sheet	
A1.3	

Order Plans @ WWW.WWWDOLLAR TREE.COM