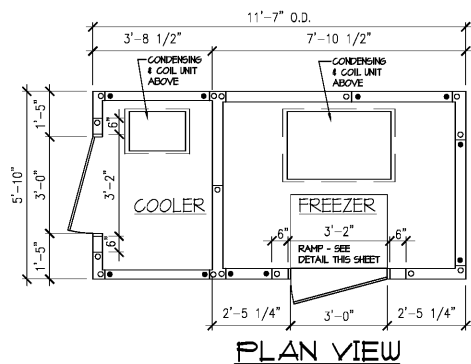
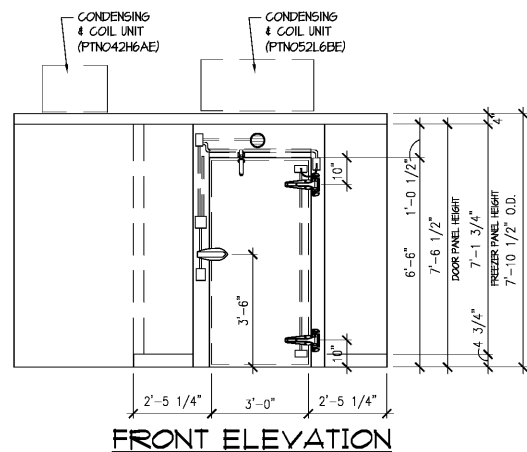


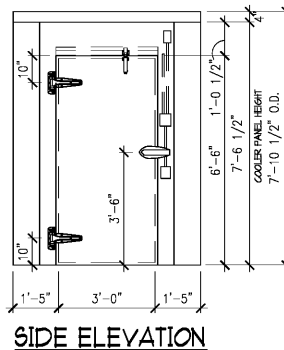
KPS GLOBAL PREFABRICATION
WALK-IN FREEZER/COOLER UNIT



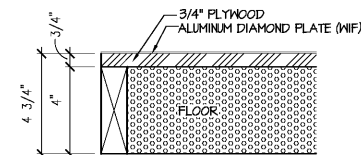
PLAN VIEW



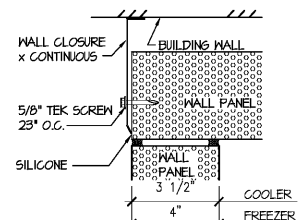
FRONT ELEVATION



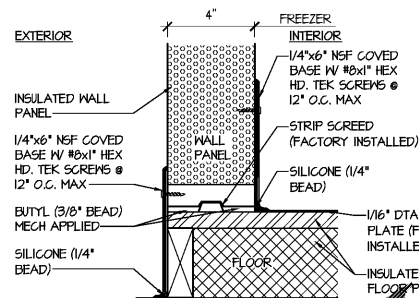
SIDE ELEVATION



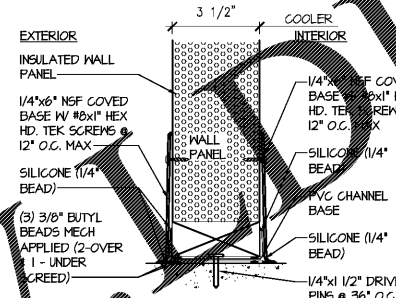
DETAIL 1
WALK-IN FREEZER/COOLER



DETAIL 2
WALK-IN FREEZER/COOLER



DETAIL 3
WALK-IN FREEZER/COOLER



DETAIL 4
WALK-IN FREEZER/COOLER

SPECIFICATIONS

CONSTRUCTION: COOLER:
WALLS: 3 1/2" FOAM-FRAME (T & G), POLYURETHANE F-I-P
TOPS: 4" FOAM-FRAME (T & G), POLYURETHANE F-I-P

FREEZER:
WALLS: 4" FOAM-FRAME (T & G), POLYURETHANE F-I-P
TOPS: 4" FOAM-FRAME (T & G), POLYURETHANE F-I-P
FLOORS: 4" FOAM-FRAME (T & G), WITH ONE(1) LAYER OF 3/4" PLYWOOD INTERIOR FLOORING

FINISH:
266A STUCCO GALV. STEEL INTERIOR
266A STUCCO GALV. STEEL EXTERIOR
032 STUCCO ALUMINUM INTERIOR FLOORS WITH 062 ALUMINUM DIAMOND PLATE - (FIELD INSTALLED)
266A STUCCO GALV. STEEL EXTERIOR FLOORING

ACCESSORIES: 1 EA. - 36" X 78" HINGED UNIT, 4" THICK, SELF-CLOSING COOLER DOOR WITH HEATED FRAME (3 SIDES), ADJUSTABLE HEATED SWEEP AND MAGNETIC GASKET (266A STUCCO GALV. STEEL INT. EXT., K-TT W4891, 2-K1261, AND I-K1094) #18 GA. GALV. JAMB (4") - NEH STYLE (3 1/2") - NEH STYLE

1 EA. - 36" X 78" HINGED UNIT, 4" THICK, SELF-CLOSING FREEZER DOOR WITH MAGNETIC GASKET AND ADJUSTABLE SWEEP (266A STUCCO GALV. STEEL INT. EXT., K-TT W4891, 2-K1261, AND I-K1094) #18 GA. GALV. JAMB (3 1/2") - NEH STYLE

2 EA. - 44" X 86" PLASTIC CURTAINS (MODEL #LD-TL-B040-RX-40F) (SHIP LOOSE)

3 EA. - WEATHER PROOF J-BOX

4 EA. - WIDE J-BOX

1 EA. - SMALL 2X4 J-BOX

2 EA. - WIDE PVC J-BOX (F5CC#9240)

1 EA. - HEATED AIR VENT (#1830)

1 EA. - OPENING FOR PRO 3 UNIT (PTN042H6AE)

1 EA. - OPENING FOR PRO 3 UNIT (PTN052L6EE)

1 EA. - INTERIOR RAMP (24 1/2" DEEP WITH 1 3/4" EXTENDED FRONT EDGE, 125 ALUMINUM DIAMOND PLATE, 040 SMOOTH ALUMINUM)

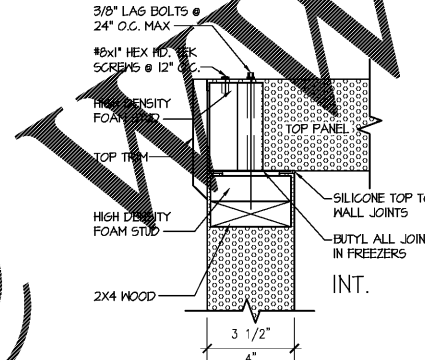
2 EA. - PRE-WIRED WEISS ALARM W/4 1/2 METER PROBE

NOTE:
LAG DOWN TOP PANELS (PRE-DRILLED LAG HOLES) PVC SCREED - COOLER PRE-DRILLED HOLES ON FLOOR PLATING UL STICKER (FOAM FRAME) 2-WALL CLOSE OFFS

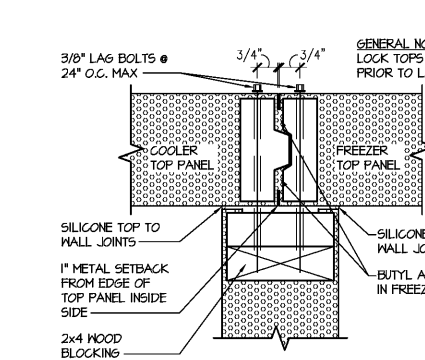
GENERAL NOTES:

- ALL WALK-INS ARE DESIGNED FOR INDOOR APPLICATION UNLESS NOTED OTHERWISE.
- PENETRATIONS AND SEALING OF PENETRATIONS - ARE THE RESPONSIBILITY OF OTHERS.
- PROVIDE 6" MINIMUM CLEARANCE AROUND WALK-IN WITH A MINIMUM AIR CIRCULATION OF 5 CFM FOR EVERY 100 SF OF PANEL SURFACE. PANEL LAYOUT MAY CHANGE BASED ON OPTIMAL MANUFACTURING STANDARDS.
- WALK-IN TOP IS NOT DESIGNED FOR STORAGE UNLESS NOTED OTHERWISE - TOPS ARE DESIGNED FOR 10 PSF UNIFORMLY DISTRIBUTED.
- QUARRY TILE OR CONCRETE FLOOR APPLICATIONS: METAL PANEL FACING MAY BE SUSCEPTIBLE TO STAINING DUE TO EXCESSIVE MOISTURE CREATED BY THE HYDRATION OF CONCRETE TYPE MATERIALS. IT IS ABSOLUTELY NECESSARY THAT EACH ROOM BE PROPERLY VENTILATED. SPECIAL PRECAUTIONS MUST ALSO BE TAKEN WHEN USING MURIATIC ACID DUE TO EFFECTS HYDROCHLORIC FUMES HAVE ON METAL MATERIALS.

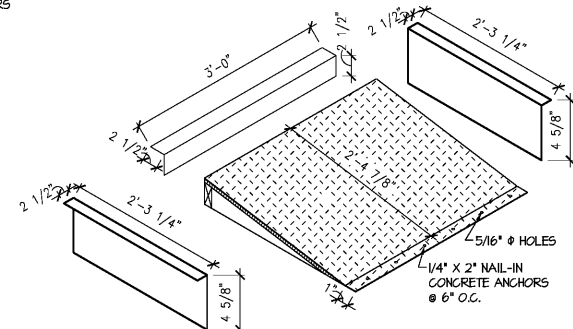
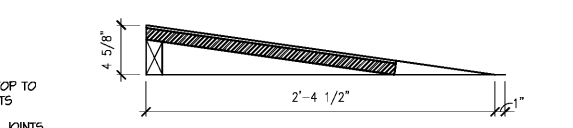
- IF CONDENSING UNIT IS LOCATED IN THE INTERIOR OF BUILDING A MINIMUM OF 24" OF CLEARANCE IS REQUIRED AROUND TOP AND SIDES.
- FLOOR, CURB, AND FIT DETAILS ARE FOR GENERAL REFERENCE ONLY. THESE DRAWINGS SHOULD NOT BE USED OR INCORPORATED IN THE DESIGN OR PREPARATION OF THE INSULATED FLOOR, SUB-SLAB OR CURBS, WITHOUT HAVING THE DESIGN REVIEWED BY A QUALIFIED ENGINEER. ALL FOOTINGS, FOUNDATION WALLS AND CONCRETE WEAR SLABS ARE THE RESPONSIBILITY OF THE BUILDING ENGINEER OR ARCHITECT.
- THE FOAM PLASTIC USED IN THIS PRODUCT COMPLIES TO THE IBC SECTION 2603 AS FOLLOWS: FLAME SPREAD RATING: 15, SMOKE DEVELOPED RATING: 350 REFER TO INSTALLATION INSTRUCTIONS FOR ASSURING UNIT IS INSTALLED LEVEL AND PLUMB, DOOR OPENING ARE SQUARED, AND FOR LOCK-DOWN TOPS/FLOORS PANEL ASSEMBLY DIRECTIONS.
- ANY UNITS RUNNING AT 32 DEG. AND BELOW REQUIRE BUTYL AT ALL JOINTS - TOPS TO TOPS; WALLS TO WALLS; FLOORS TO FLOORS; WALLS TO TOPS; WALLS TO FLOORS - AS PANELS ARE ASSEMBLED. BUTYL MUST NOT BE EXPOSED.



DETAIL 5
WALK-IN FREEZER/COOLER



DETAIL 6
WALK-IN FREEZER/COOLER



RAMP SCHEDULE
WALK-IN FREEZER

Q	INT. / EXT.	SIZE	FINISH	RAMP FINISH	DUE	REMARK
1	INT.	36" X 28 1/2" X 4 5/8" H.	050 SMOOTH ALUM.	125 ALUMINUM DIAMOND PLATE		1 - 2 X 4 ADD.

GENERAL NOTES:
1. THE PROPOSED FREEZER/COOLER UNIT SIZE IS INDICATED ON FLOOR PLAN.
2. ALL WALK-IN & MERCHANDISING UNITS ARE SELF CONTAINED AND DO NOT REQUIRE A FLOOR DRAIN.
3. INSTALLATION OF THESE NSF, ETL & UL LISTED UNITS SHALL COMPLY WITH ALL STATE AND LOCAL CODES PER APPROVED PLANS.

4. MINIMUM DESIGN LOAD UNIFORMLY DISTRIBUTED: TOPS (PSF): 10 WALLS (PSF): 5 FLOORS (PSF): 1000

5. REFER TO SPECIFICATIONS

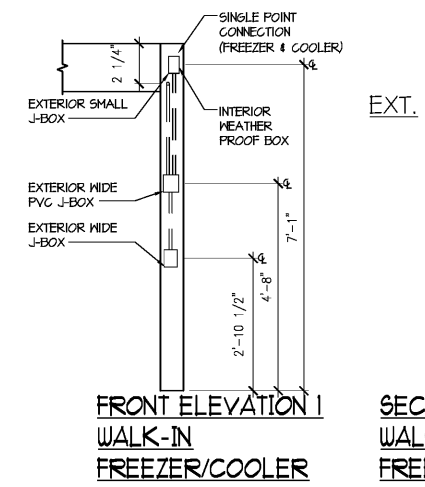
LEIDIA Lighting Technology Co., Ltd.
Factory address: No.1 Kua Ke 3rd Road, Xiangtan, Hunan, China

Specification
LED Vapor Tight Light
Item No. LD-TL-B0730, LD-TL-B0730, LD-TL-B0750, LD-TL-B0750

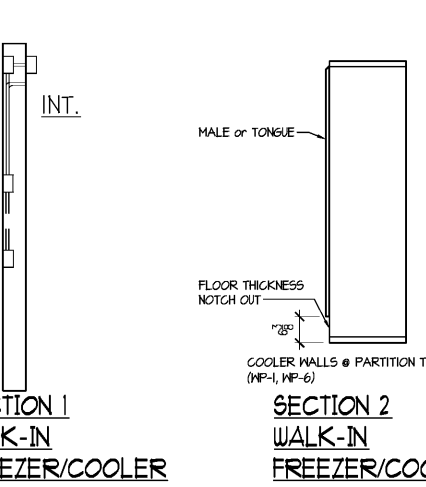
NOTES:
1. This specification is for regular product specifications.
2. The right of final interpretation of this specification to Guangzhou LEIDIA Lighting Technology Co., Ltd.

LEIDIA Lighting Technology Co., Ltd.
Factory address: No.1 Kua Ke 3rd Road, Xiangtan, Hunan, China

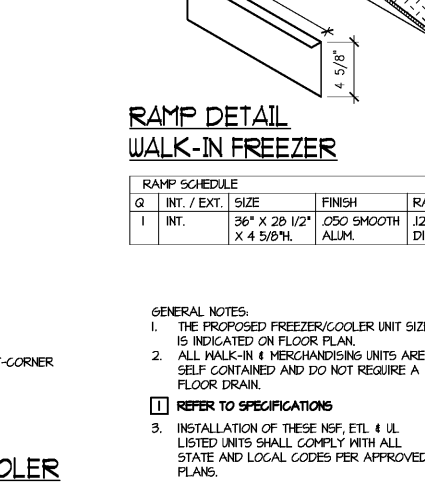
Specification
General performance, Method, Packing info, Other



FRONT ELEVATION 1
WALK-IN FREEZER/COOLER



SECTION 1
WALK-IN FREEZER/COOLER



SECTION 2
WALK-IN FREEZER/COOLER

FOR INFORMATION ONLY

REFRIGERATION SPECIFICATIONS
WALK-IN DETAILS AND SPECIFICATIONS

DS2

FOR REFERENCE ONLY