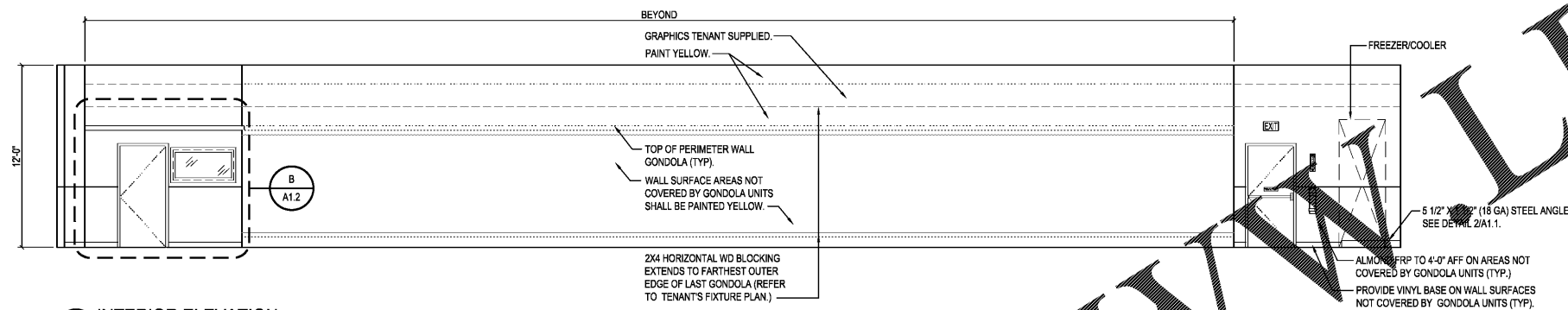
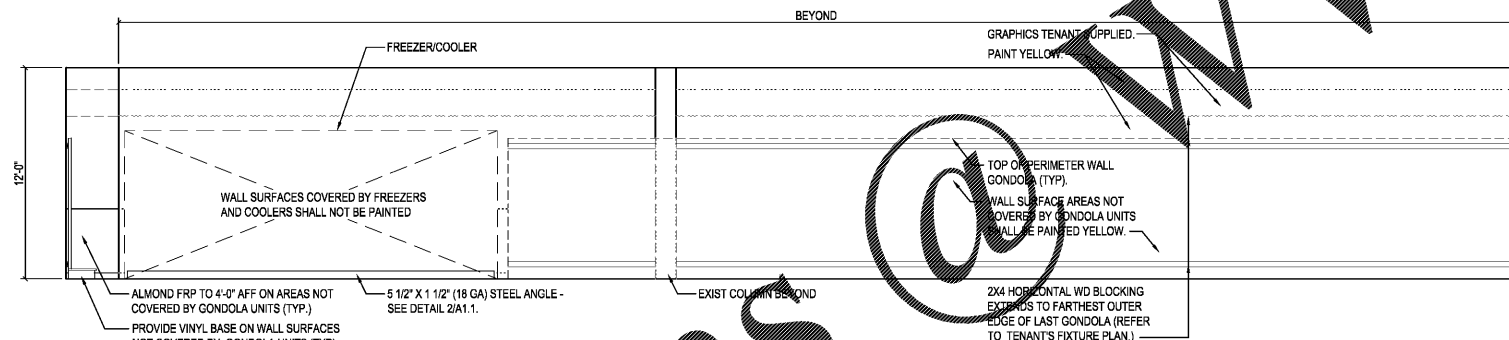


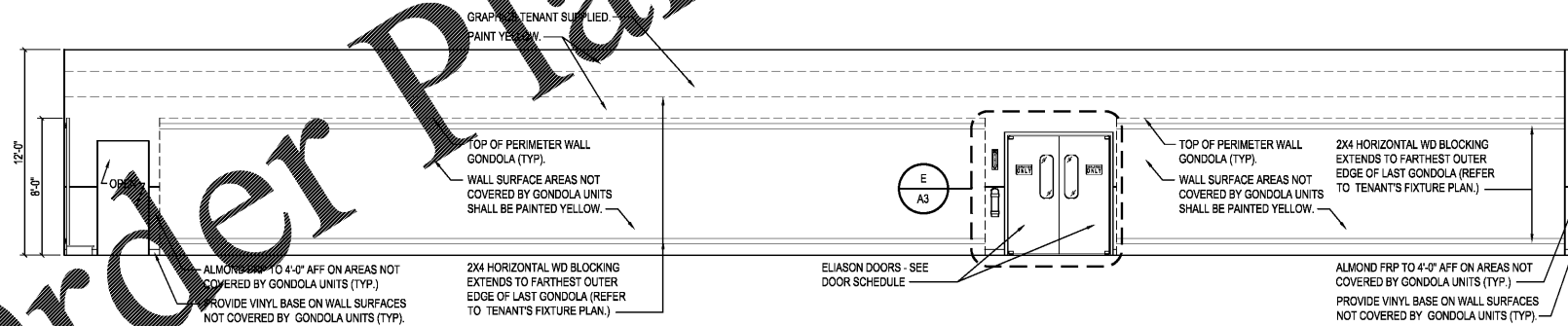
A INTERIOR ELEVATION
SCALE: 1/4" = 1'-0"



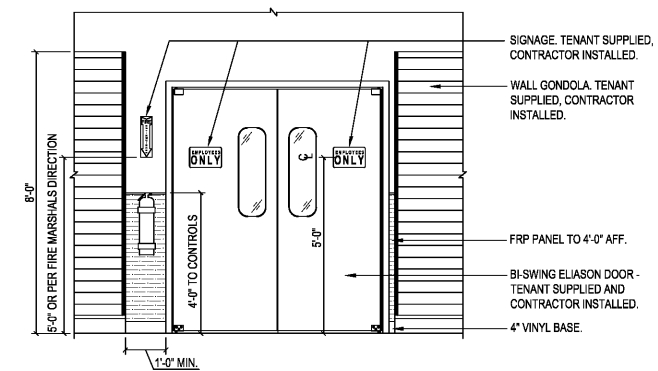
B INTERIOR ELEVATION
SCALE: 1/4" = 1'-0"



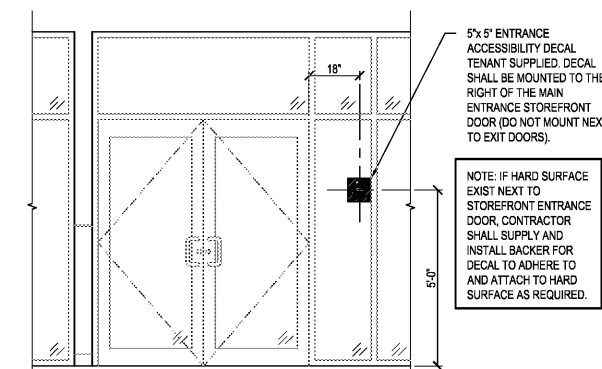
C INTERIOR ELEVATION
SCALE: 1/4" = 1'-0"



D INTERIOR ELEVATION
SCALE: 1/4" = 1'-0"



E SALES / STOCKROOM ELIASON DOOR ELEVATION
SCALE: 1/2" = 1'-0"



F ACCESSIBILITY DECAL AT STOREFRONT ENTRANCE
SCALE: 1/2" = 1'-0"

Order Plans

WWW.LDILine.com

description	
by	
date	
mark	revisions
date	
project	HOC
designed	HOC
drawn	HOC
checked	DAE

RRMM ARCHITECTS, PC
1317 Executive Blvd, Suite 200
Chesapeake, VA 23320
(757)622-2828 / fax (757)622-6883

DOLLAR TREE
DUTCH SQUARE MALL, DEAL #10811
COLUMBIA, SC
EXTERIOR AND INTERIOR ELEVATIONS

project	drawing
sheet	A3