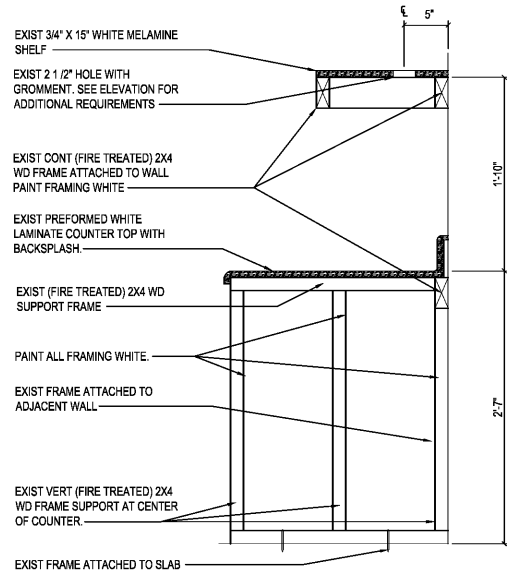
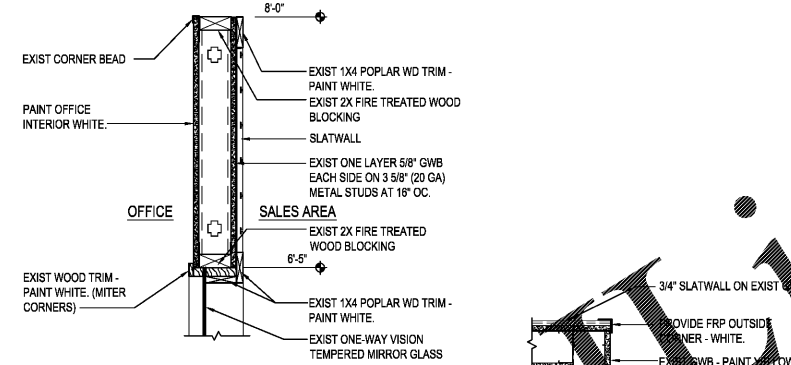


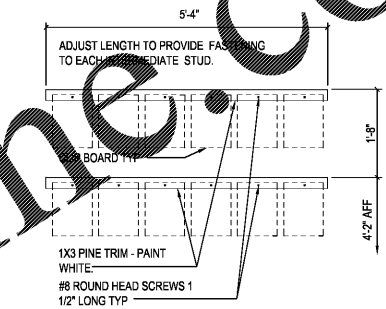
1 ENLARGED EXIST OFFICE PLAN  
A1.2 SCALE: 3/8" = 1'-0"



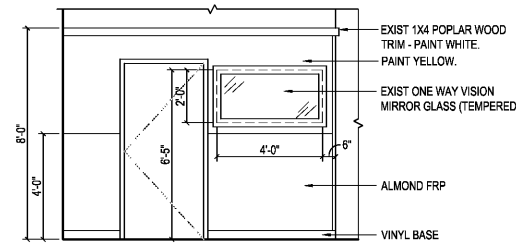
2 SECTION  
A1.2 SCALE: 1 1/2" = 1'-0"



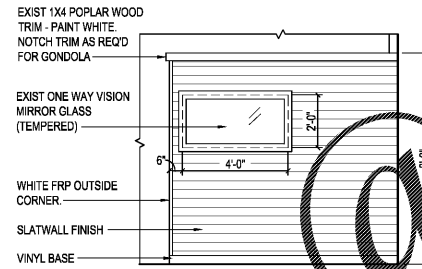
3 HEAD / JAMB DETAIL  
A1.2 SCALE: 1 1/2" = 1'-0"



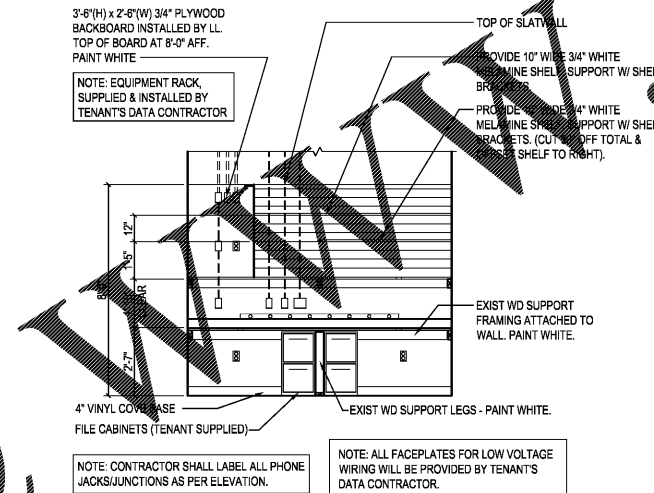
A CLIP BOARD RACK ELEVATION  
A1.2 SCALE: 3/4" = 1'-0"



B OFFICE ELEVATION  
A1.2 SCALE: 3/8" = 1'-0"



C OFFICE ELEVATION  
A1.2 SCALE: 3/8" = 1'-0"



FINISHES AND SHELVING / ELECTRICAL AND DATA

D OFFICE ELEVATION  
A1.2 SCALE: 3/8" = 1'-0"

description	
by	
date	revisions
07/10/2018	HOC
10/02/17	HOC
date	checked
project	drawn
project	sheet



DOLLAR TREE  
DUTCH SQUARE MALL, DEAL #10811  
COLUMBIA, SC  
ENLARGED PLAN, DETAILS, SECTION AND INTERIOR ELEVATIONS