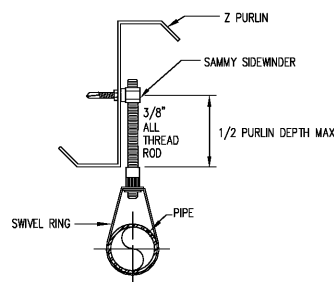
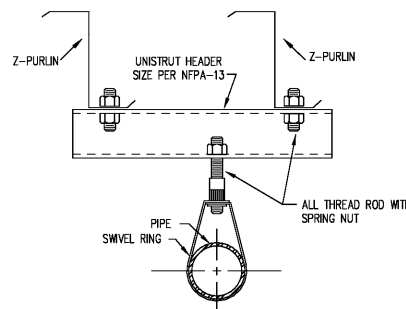


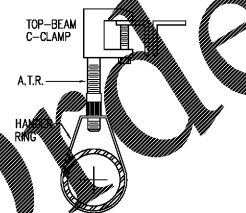
ALL HANGER ATTACHMENTS AND CONCENTRATED LOADS SHALL BE APPROVED BY STRUCTURAL ENGINEER
HANGER ASSEMBLY NO. 17



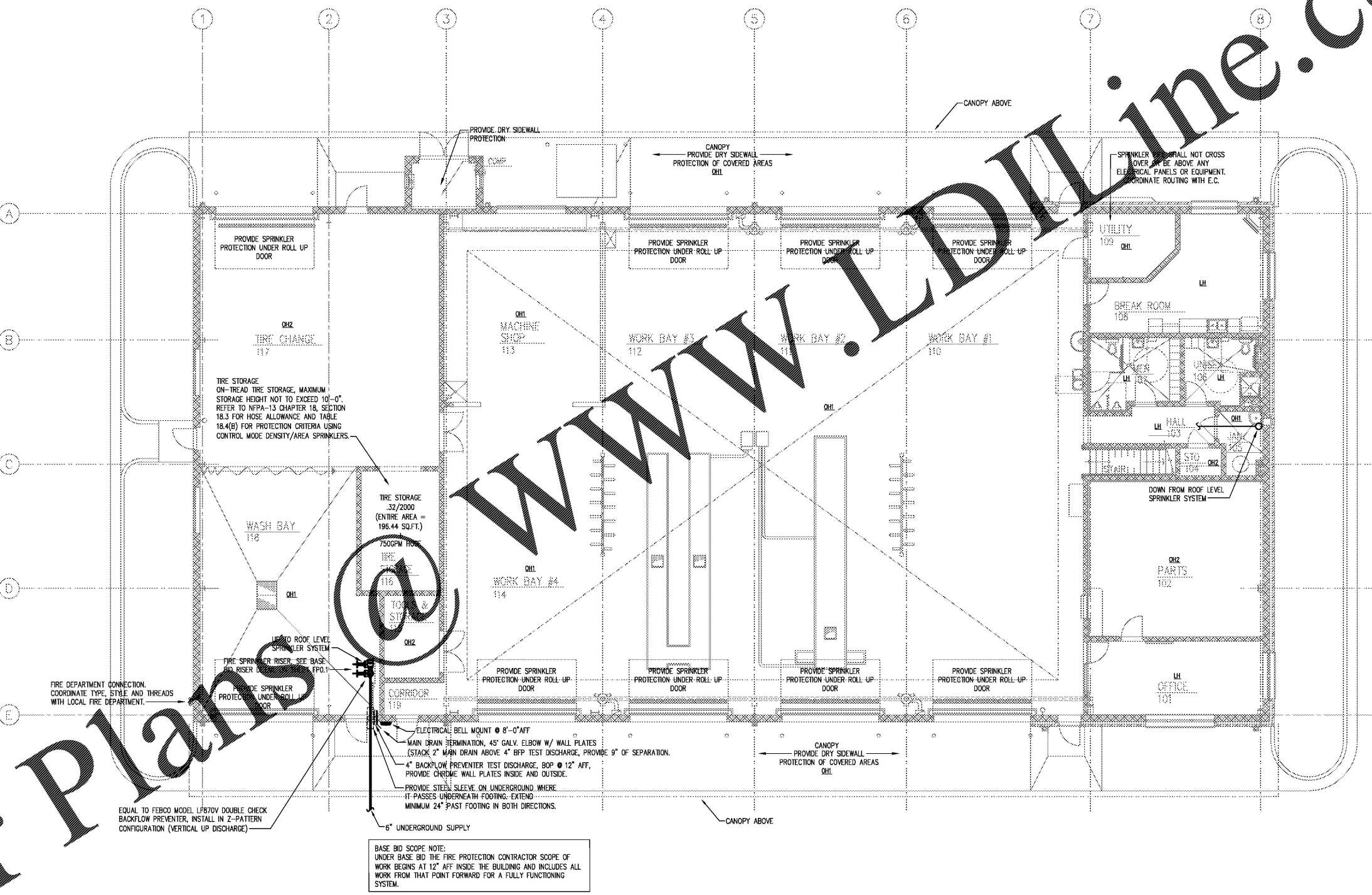
ALL HANGER ATTACHMENTS AND CONCENTRATED LOADS SHALL BE APPROVED BY STRUCTURAL ENGINEER
HANGER ASSEMBLY NO. 18



ALL HANGER ATTACHMENTS AND CONCENTRATED LOADS SHALL BE APPROVED BY STRUCTURAL ENGINEER
HANGER ASSEMBLY NO. 16

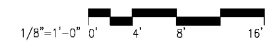


HANGER ASSEMBLY NO. 01



1 GROUND LEVEL FLOOR PLAN - FIRE PROTECTION
 SCALE: 1/8" = 1'-0"

LEGEND
 LH = LIGHT HAZARD
 OH1 = ORDINARY HAZARD GROUP 1
 OH2 = ORDINARY HAZARD GROUP 2



WWW.LDOnline.com

BIDDING DOCUMENTS

PROJECT TITLE: **LUMBERTON EQUIPMENT SHOP**
 LUMBERTON HIGHWAY DIVISION 6
 872 NC 711 HIGHWAY
 LUMBERTON, NORTH CAROLINA 28380

STATE CONSTRUCTION ID.# 16-12916-01A
 ASSET NUMBER: 78-06-00
 CO.# SITE.# BLDG.#
 REVISIONS NO. DATE

DATE ISSUED: 12/15/2017
 DRAWN BY: DRB
 CHECKED BY: WLA
 SHEET NO. **FP1.0**

DESIGNED BY: **FACILITIES DESIGN ARCHITECTS & ENGINEERS**
 1. 800.572.3888
 2. SALES@FACILITIESDESIGN.COM
 3. 1000 W. HARRIS STREET, SUITE 200
 RALEIGH, NC 27603
 FAX: 919.778.4800

DEVITA CONSULTANTS
 1000 W. HARRIS STREET, SUITE 200
 RALEIGH, NC 27603
 FAX: 919.778.4800