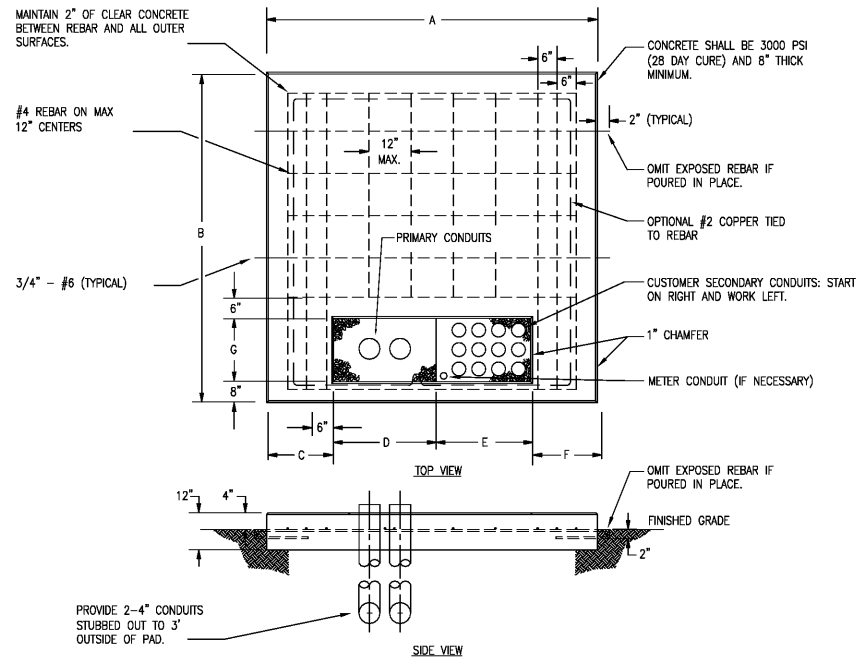


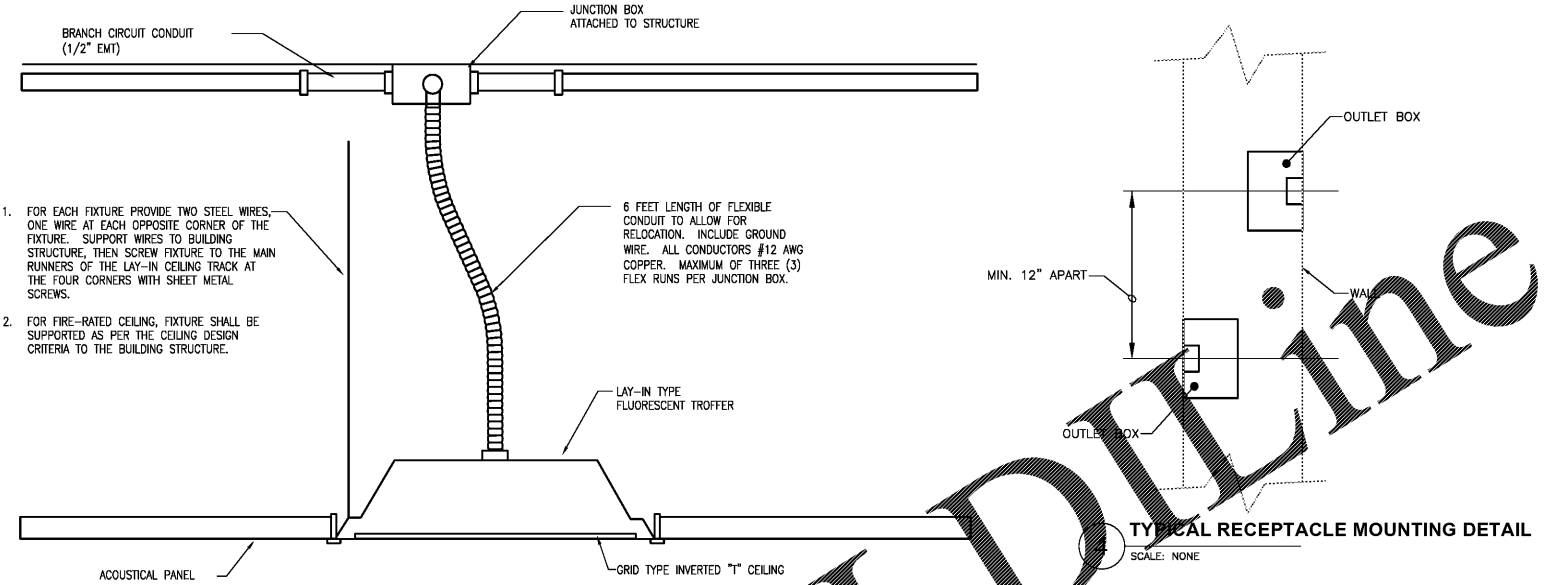
SIZE KVA	A	B	C	D	E	F	G	AVERAGE PAD WEIGHT (LBS)
45-500	96	84	24.5	36	18	17.5	16	2,800

NOTE: DIMENSIONS SHOWN ARE IN INCHES.



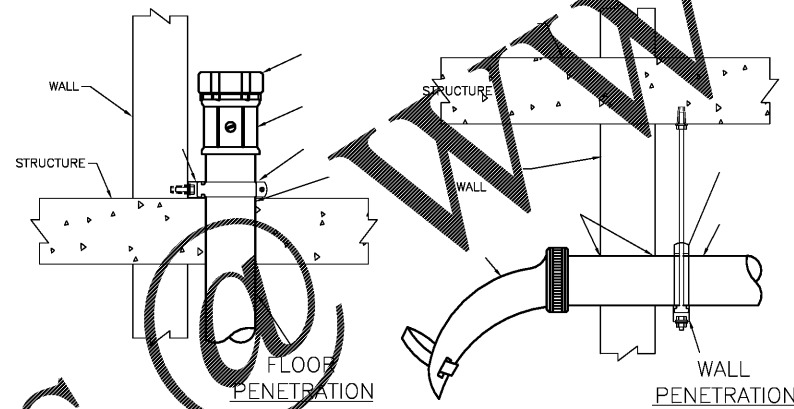
6 TRANSFORMER PAD DETAIL

SCALE: NONE



5 RECESSED LIGHT FIXTURE MOUNTING DETAIL

SCALE: NONE



2 RISER CONDUITS AND SLEEVING END FITTINGS DETAIL

SCALE: NONE

KEYNOTES:

4" EMT CONDUIT, USE COMPRESSION COUPLINGS AND FITTINGS UNLESS OTHERWISE NOTED.

1-1/2"x1-1/2" 12 GA. 'U' CHANNEL - ANCHOR SECURELY TO WALL.

4" EMT STRAPS.

'U' CHANNEL AND STRAP SUPPORT - ANCHOR SECURELY TO DECK ABOVE.

COMPRESSION FITTING

4" PLASTIC INSULATING BUSHING. INSTALL INSULATING, BONDING AND GROUNDING BUSHING AT CLOSEST END OF CONDUIT.

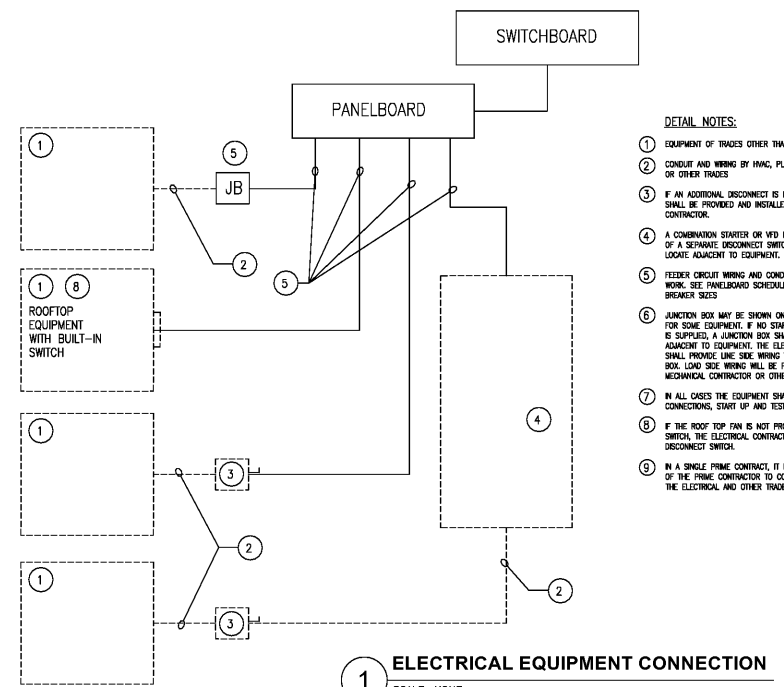
FIRESTOP AS REQUIRED.

CABLE SPILLWAY BY CABLE MANAGEMENT CORP. P/N CM-1004 (4-INCH), CM-1002 (2 INCH) OR EQUIVALENT. USE FOR ALL CONDUIT/SLEEVING ENDS

GENERAL NOTES:

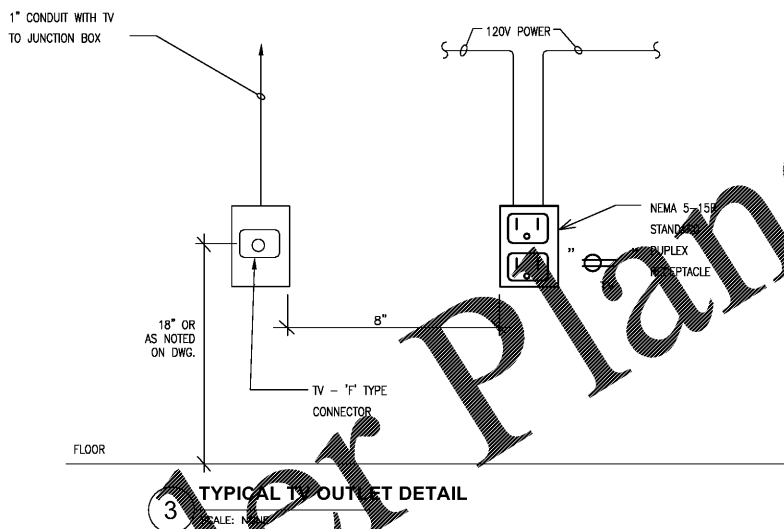
1. PENETRATE TELECOMMUNICATIONS ROOM 4" TO 8" MAXIMUM.

2. SIMILAR FOR ALL SIZE EMT CONDUITS.



DETAIL NOTES:

- EQUIPMENT OF TRADES OTHER THAN ELECTRICAL
- CONDUIT AND WIRING BY HVAC, PLUMBING CONTRACTOR, OR OTHER TRADES
- IF AN ADDITIONAL DISCONNECT IS REQUIRED BY NEC, IT SHALL BE PROVIDED AND INSTALLED BY THE EQUIPMENT CONTRACTOR.
- A COMBINATION STARTER OR VFD MAY BE USED IN LIEU OF A SEPARATE DISCONNECT SWITCH AND STARTER. LOCATE NEAREST TO EQUIPMENT.
- FEEDER CIRCUIT WIRING AND CONDUIT IN ELECTRICAL WORK. SEE PANELBOARD SCHEDULES FOR WIRE AND BREAKER SIZES
- JUNCTION BOX MAY BE SHOWN ON ELECTRICAL PLANS FOR SOME EQUIPMENT IF NO STARTER OR DISCONNECT IS SUPPLIED. A JUNCTION BOX SHALL BE INSTALLED ADJACENT TO EQUIPMENT. THE ELECTRICAL CONTRACTOR SHALL PROVIDE LINE SIZE WIRING TO THE JUNCTION BOX. LOAD SIDE WIRING WILL BE PROVIDED BY MECHANICAL CONTRACTOR OR OTHER TRADES.
- IN ALL CASES THE EQUIPMENT SHALL MAKE FINAL CONNECTIONS SHUT UP AND TEST EQUIPMENT.
- IF THE ROOF TOP FAN IS NOT PROVIDED WITH BUILT IN SWITCH, THE ELECTRICAL CONTRACTOR SHALL PROVIDE A DISCONNECT SWITCH.
- IN A SINGLE PRIME CONTRACT, IT IS THE RESPONSIBILITY OF THE PRIME CONTRACTOR TO COORDINATE BETWEEN THE ELECTRICAL AND OTHER TRADES.



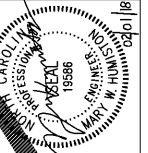
3 TYPICAL TV OUTLET DETAIL

SCALE: NONE

NOTES:

- BOX TO BE FLUSH MOUNTED WITH FINISH TRIM PLATE.
- COORDINATE TELEVISION MOUNTING HEIGHTS WITH ARCHITECTURAL PLANS.

BIDDING DOCUMENTS



DESIGNED BY:  
FACILITIES DESIGN  
ARCHITECTS & ENGINEERS  
PROJECT MANAGEMENT PROFESSIONALS, INC.  
14041101 10/16/2017 09:51:02  
14041101 10/16/2017 09:51:02  
PHONE: 704.767.4842 FAX: 704.767.4888



CONSULTANT:  
DEVITA  
14041101 10/16/2017 09:51:02  
14041101 10/16/2017 09:51:02  
PHONE: 704.767.4842 FAX: 704.767.4888

DRAWING TITLE / DESCRIPTION:  
ELECTRICAL DETAILS

PROJECT TITLE:  
LUMBERTON EQUIPMENT SHOP  
NCDOT HIGHWAY DIVISION 6  
872 NC 711 HIGHWAY  
LUMBERTON, NORTH CAROLINA 28360

STATE CONSTRUCTION ID.# 16-12916-01A

ASSET NUMBER:  
CO.# SITE.# BLDG.#  
78 \* 06 \* 00

REVISIONS  
NO. DATE

DATE ISSUED: 12/15/2017  
DRAWN BY: MKT  
CHECKED BY: MWH  
SHEET NO.

E4.0