

DESIGNED BY:  
**FACILITIES DESIGN**  
 ARCHITECTS & ENGINEERS  
 PROFESSIONAL CORPORATION  
 10001 N.W. 10TH AVE., SUITE 200  
 BOCA RATON, FLORIDA 33433  
 PHONE: 561-997-8882 FAX: 561-997-8888



CONSULTANT:  
**DEVITA**  
 ARCHITECTS & ENGINEERS  
 10001 N.W. 10TH AVE., SUITE 200  
 BOCA RATON, FLORIDA 33433  
 PHONE: 561-997-8882 FAX: 561-997-8888

DRAWING TITLE / DESCRIPTION:  
**ELECTRICAL FIRST FLOOR PLAN - SYSTEM**

PROJECT TITLE:  
**LUMBERTON EQUIPMENT SHOP**  
 LUMBERTON HIGHWAY DIVISION 6  
 872 NC 711 HIGHWAY  
 LUMBERTON, NORTH CAROLINA 28890

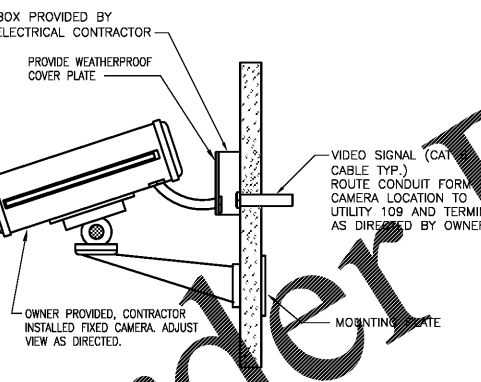
STATE CONSTRUCTION ID.# 16-12916-01A

ASSET NUMBER:  
 CO.# SITE.# BLDG.#  
 78 06 00

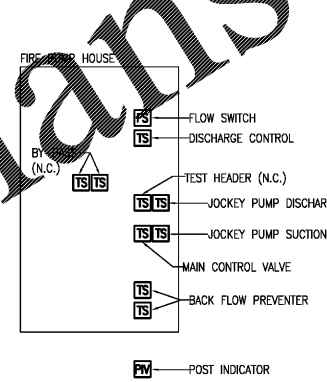
REVISIONS  
 NO. DATE

DATE ISSUED: 12/15/2017  
 DRAWN BY: MKT  
 CHECKED BY: MWH  
 SHEET NO.

E3.0



**FIXED CAMERA - WALL MOUNTED**  
 SCALE: NONE  
 NOTE: COORDINATE MOUNTING WITH ARCHITECTURAL DETAILS



**ALTERNATE #G-1 FIRE PUMP - FIRE ALARM**  
 SCALE: NONE

**1 FIRST FLOOR SYSTEMS PLAN**  
 SCALE: 1/8"=1'-0"

PAGE NOTES:  
 1. ALL FIRE ALARM DEVICES LOCATED WITHIN WASH BAY 118 SHALL BE WATERPROOF AND GASKETED AND APPROPRIATE FOR THE ENVIRONMENT.  
 2. OWNER PROVIDED, CONTRACTOR INSTALLED FIXED SECURITY CAMERA. WALL MOUNT AT 10'-0" AFF. ROUTE 1" C AND CAT5 CABLING FROM EACH CAMERA LOCATION SHOWN TO UTILITY 109 AND TERMINATE AS DIRECTED. ADJUST CAMERA VIEW AS DIRECTED. COORDINATE FINAL LOCATION WITH ARCHITECT/OWNER. SEE DETAIL 3/E3.0.

**FIRE ALARM LEGEND:**  
 ALL MAY NOT APPLY

<b>S</b> CEILING MOUNTED SMOKE DETECTOR	<b>F</b> FIRE ALARM PULL STATION, MOUNT 48" AFF TO THE CENTER OF DEVICE UNO
<b>S</b> COMBINATION CARBON MONOXIDE/SMOKE DETECTOR W/LOCAL SOUNDER	<b>F</b> FIRE ALARM HORN/STROBE UNIT; WALL MOUNT AT 84" AFF TO BOTTOM OF DEVICE UNO; *cd - INDICATES CANDELA RATING
<b>S</b> CEILING MOUNTED SMOKE DETECTOR FOR KITCHEN HOOD	<b>F</b> FIRE ALARM STROBE ONLY UNIT; WALL MOUNT 84" AFF TO BOTTOM OF DEVICE UNO; *cd - INDICATES CANDELA RATING
<b>S</b> CEILING MOUNTED SMOKE DETECTOR W/SOUNDER BASE	<b>F</b> CEILING MOUNTED FIRE ALARM HORN/STROBE UNIT; *cd - INDICATES CANDELA RATING
<b>S</b> WALL MOUNTED SMOKE DETECTOR	<b>F</b> CEILING MOUNTED FIRE ALARM SPEAKER/STROBE UNIT; *cd - INDICATES CANDELA RATING
<b>H</b> CEILING MOUNTED HEAT DETECTOR	<b>F</b> FIRE ALARM CONTROL PANEL
<b>V</b> CEILING MOUNTED STROBE DEVICE; *cd - INDICATES CANDELA RATING	<b>F</b> FIRE ALARM LCD ANNUNCIATOR
<b>SD</b> DUCT SMOKE DETECTOR	<b>PV</b> POST INDICATOR VALVE
	<b>BD</b> POST INDICATOR VALVE
	<b>TS</b> TAMPER SWITCH
	<b>FS</b> FLOW SWITCH

**2 MEZZANINE SYSTEMS PLAN**  
 SCALE: 1/8"=1'-0"