

MEDIUM PRESSURE (MP) SIZING
BASED ON NCFGC TABLE 402.4(3)

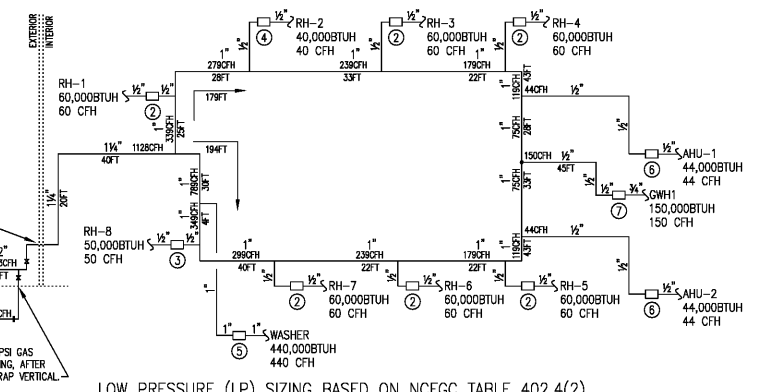
CONNECTED LOAD:
2,943,000 BTUH, 2,943 CFH
(309FT PIPE x 1.5 FITTINGS = 463.5FT)
400 FT. D.L. FOR 2 PSI SYSTEM.
1.0 PSI PRESSURE DROP
60 SPECIFIC GRAVITY
TOTAL CONNECTED LOAD = 2,943 CFH

1 1/4" GAS MAIN ON EXTERIOR OF BUILDING,
ENTER BUILDING 12" A.F.F. PAINT PIPE TO
MATCH BUILDING EXTERIOR. PROVIDE WATER
TIGHT PENETRATION AND WALL PLATES.

N-GAS
GENERATOR
1,814,800 BTUH
1,814.8 CFH

STEEL TO UNDERGROUND
TRANSITION (TYP)

1/2" STEEL VERTICAL WITH SHUTOFF VALVE - 2 PSI GAS
DOWN INTO UNDERGROUND THROUGH FIRST FITTING, AFTER
ELL, INSTALL TRANSITION FITTING, COAT AND WRAP VERTICAL.

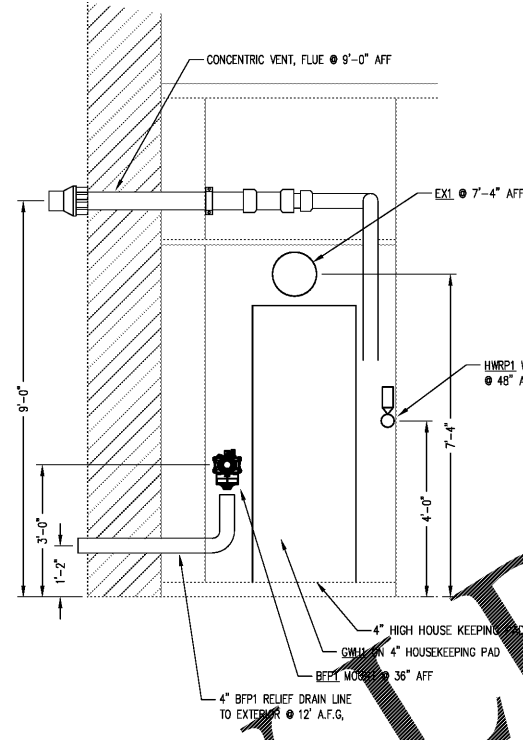


LOW PRESSURE (LP) SIZING BASED ON NCFGC TABLE 402.4(2)

- 1 VENTLESS GAS PRESSURE REGULATOR W/OPD (SEE SHEET P002, DETAIL 13)
2 PSI TO 14"WC MAX. (DELIVERED 7"WC MIN - 14"WC MAX)
10 FT. D.L. FOR 14"WC SYSTEM.
.5" W.C. LOSS
60,000 BTUH
60 CFH
- 2 VENTLESS GAS PRESSURE REGULATOR W/OPD (SEE SHEET P002, DETAIL 13)
2 PSI TO 14"WC MAX. (DELIVERED 7"WC MIN - 14"WC MAX)
10 FT. D.L. FOR 14"WC SYSTEM.
.5" W.C. LOSS
60,000 BTUH
60 CFH
- 3 VENTLESS GAS PRESSURE REGULATOR W/OPD (SEE SHEET P002, DETAIL 13)
2 PSI TO 14"WC MAX. (DELIVERED 7"WC MIN - 14"WC MAX)
15 FT. D.L. FOR 14"WC SYSTEM.
.5" W.C. LOSS
44,000 BTUH
44 CFH
- 4 VENTLESS GAS PRESSURE REGULATOR W/OPD (SEE SHEET P002, DETAIL 13)
2 PSI TO 14"WC MAX. (DELIVERED 8"WC MIN - 14"WC MAX)
20 FT. D.L. FOR 14"WC SYSTEM.
.5" W.C. LOSS
150,000 BTUH
150 CFH
- 5 VENTLESS GAS PRESSURE REGULATOR W/OPD (SEE SHEET P002, DETAIL 13)
2 PSI TO 14"WC MAX. (DELIVERED 7"WC MIN - 14"WC MAX)
10 FT. D.L. FOR 14"WC SYSTEM.
.5" W.C. LOSS
60,000 BTUH
60 CFH
- 6 VENTLESS GAS PRESSURE REGULATOR W/OPD (SEE SHEET P002, DETAIL 13)
2 PSI TO 14"WC MAX. (DELIVERED 3.5"WC MIN - 10"WC MAX)
15 FT. D.L. FOR 14"WC SYSTEM.
.5" W.C. LOSS
44,000 BTUH
44 CFH
- 7 VENTLESS GAS PRESSURE REGULATOR W/OPD (SEE SHEET P002, DETAIL 13)
2 PSI TO 14"WC MAX. (DELIVERED 8"WC MIN - 14"WC MAX)
20 FT. D.L. FOR 14"WC SYSTEM.
.5" W.C. LOSS
150,000 BTUH
150 CFH

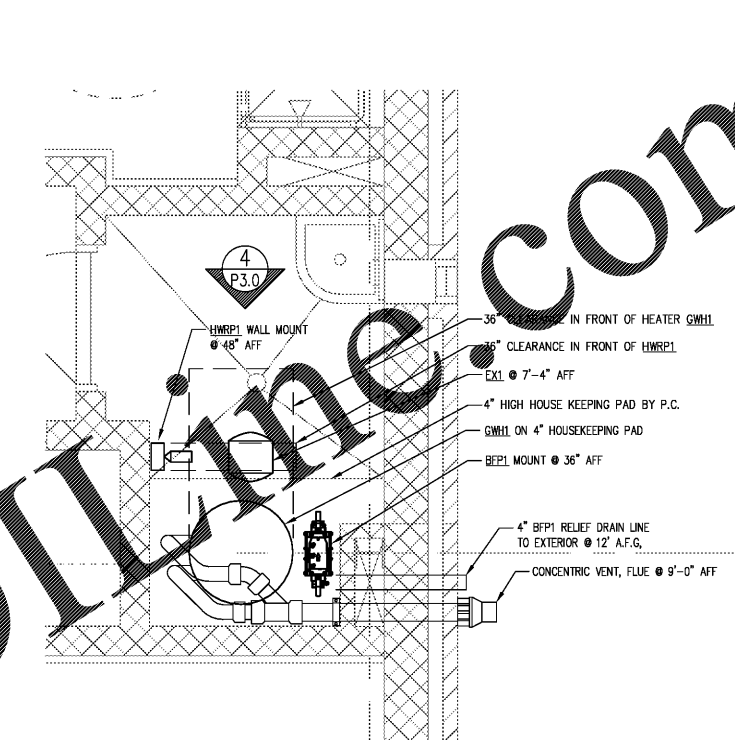
5 NATURAL GAS SCHEMATIC

SCALE: NONE



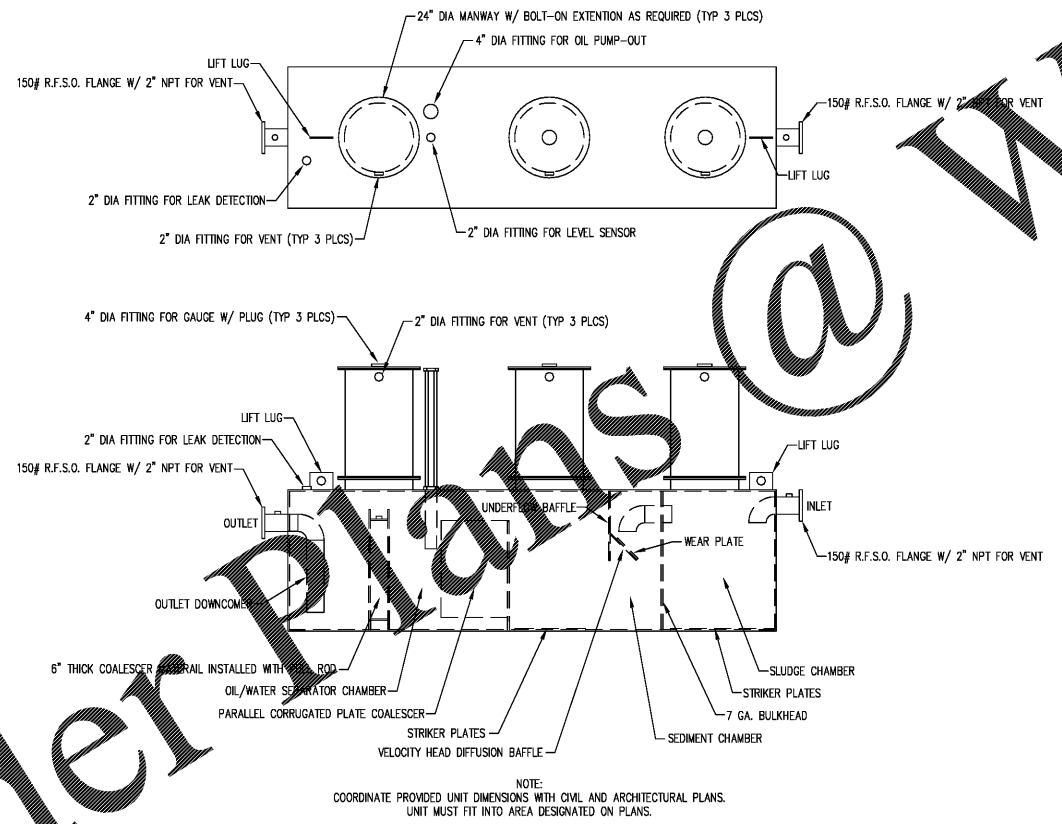
4 ELEVATION LOOKING AT GWH1

SCALE: 1/4" = 1'-0"



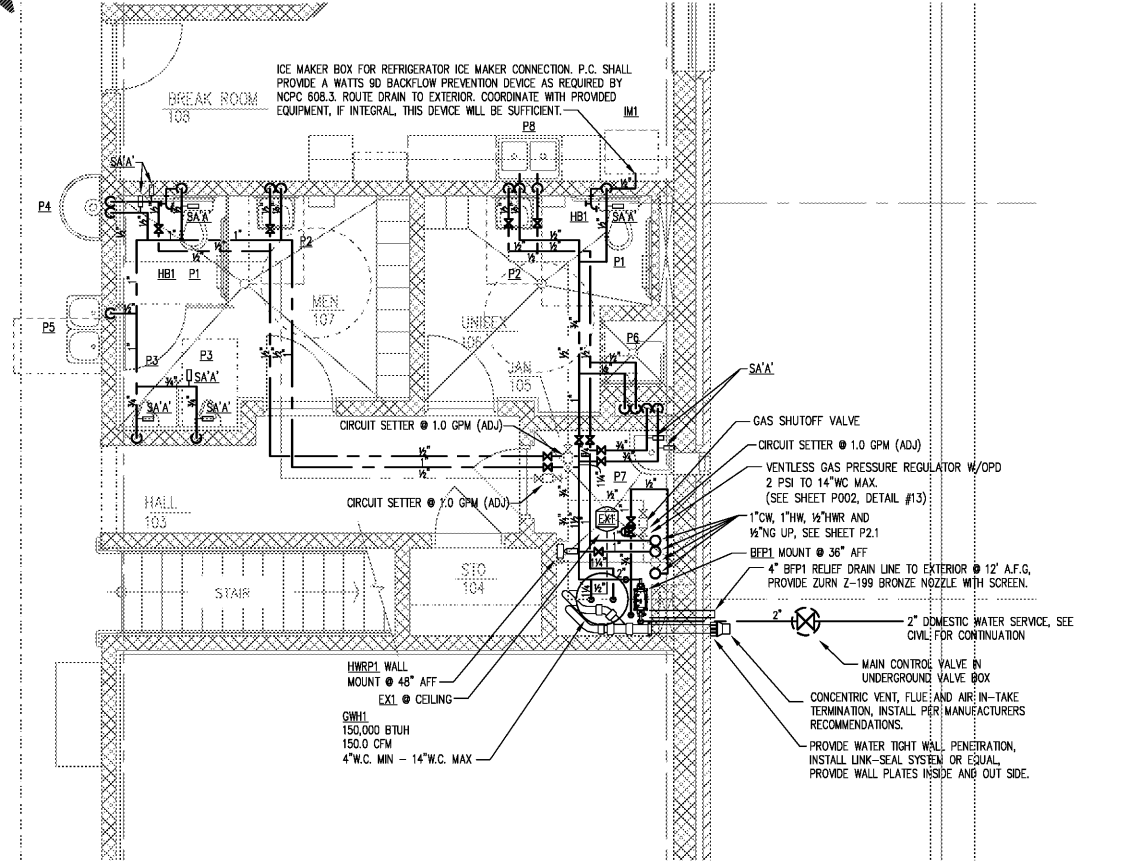
3 EQUIPMENT PLAN - PLUMBING

SCALE: 1/2" = 1'-0"



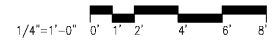
2 OIL WATER SEPARATOR

SCALE: NONE



1 ENLARGED FLOOR PLAN - PLUMBING

SCALE: 1/4" = 1'-0"



Order Plans @ WWW.LDLINE.COM

BIDDING DOCUMENTS

DESIGNED BY:

CONSULTANT:

PROJECT TITLE / DESCRIPTION:
LUMBERTON EQUIPMENT SHOP
LUMBERTON HIGHWAY DIVISION 6

PROJECT TITLE:
ENLARGED PLAN - PLUMBING

STATE CONSTRUCTION ID.#: 16-12916-01A

ASSET NUMBER: 78-06-00

REVISIONS:

NO.	DATE

DATE ISSUED: 12/15/2017
DRAWN BY: DRB
CHECKED BY: WLA
SHEET NO.: P3.0