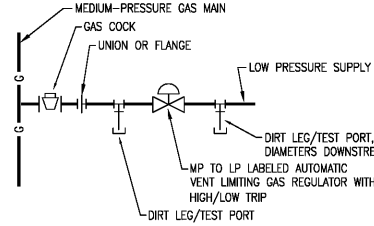
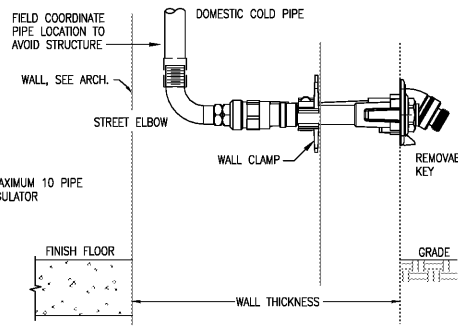


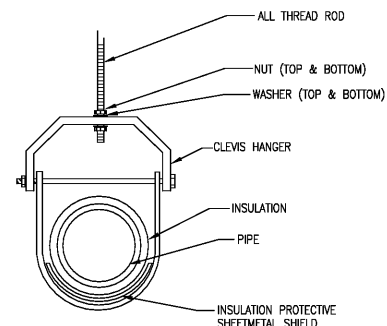
2 PSI TO 14"W.C. GAS REGULATORS SHALL BE EQUAL TO MAXITROL SERIES 325 LEVER ACTING DESIGN LINE PRESSURE REGULATOR WITH AUTOMATIC VENT LIMITING DEVICE. THE DEVICE SHALL BE LABELED FOR UTILIZATION WITH AN APPROVED VENT-LIMITING DEVICE AND INSTALLED PER MANUFACTURER INSTRUCTIONS IN ACCORDANCE WITH NCFGC SECTION 410.3, EXCEPTION ALLOWING VENTLESS REGULATORS. ALL REGULATORS MUST BE INSTALLED AND MOUNTED IN THE HORIZONTAL UPRIGHT POSITION.



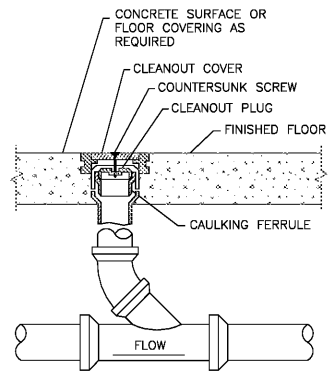
13 MP TO LP GAS REGULATOR DETAIL
SCALE: NONE



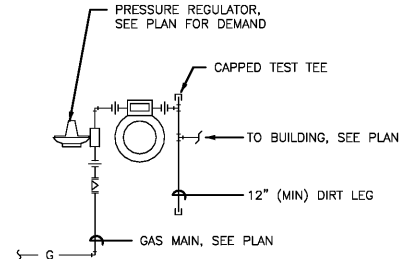
12 WALL HYDRANT DETAIL
SCALE: NONE



11 CLEVIS HANGER DETAIL
SCALE: NONE

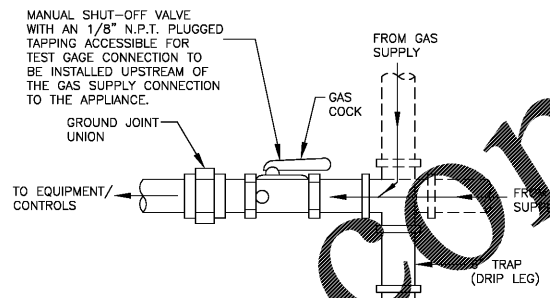


10 FLOOR CLEANOUT (FCO) DETAIL
SCALE: NONE



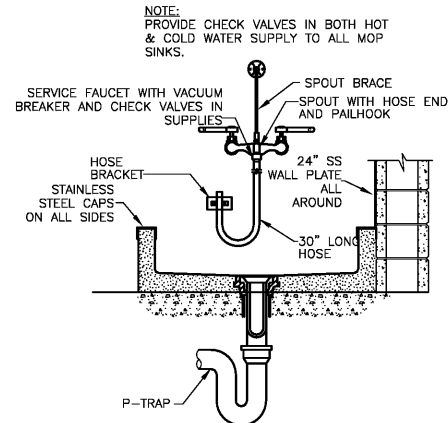
NOTE:
GAS METER & REGULATOR SHALL BE BY THE LOCAL GAS COMPANY. ALL COSTS WILL BE INCURRED BY THE PLUMBING CONTRACTOR.

9 GAS METER DETAIL
SCALE: NONE

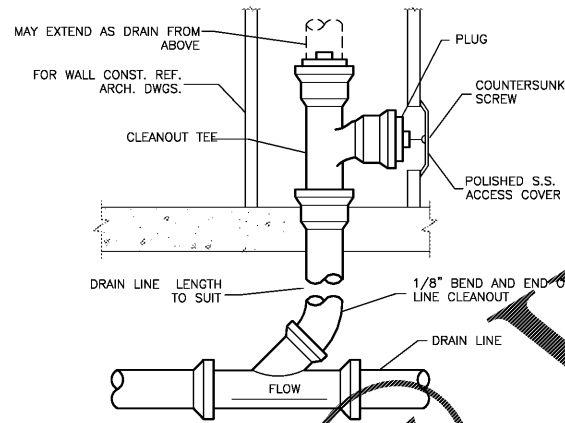


NOTE:
1. ALL PIPE WITHIN OR PASSING THRU RATE FLOOR CAVITIES SHALL BE CAST IRON OR COPPER.
2. ALL PENETRATIONS INTO RATE FLOOR CAVITIES SHALL BE FIRE CAULKED AT BOTH PENETRATIONS.
3. ALL ROOF DRAIN BOVES AND HORIZONTAL PORTIONS OF RAINLEADERS SHALL BE INSULATED. THE INSULATION SHALL BE CARRIED PAST FITTING A MINIMUM OF 24" INTO THE VERTICAL SECTION OF PIPE.

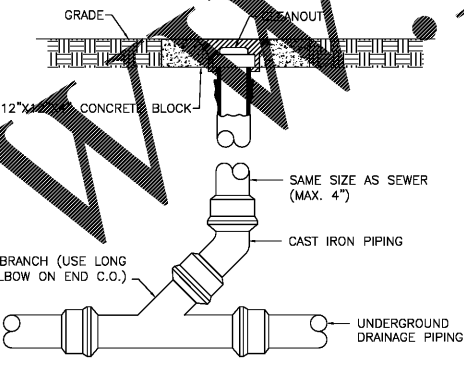
8 GAS EQUIPMENT CONNECTION DETAIL
SCALE: NONE



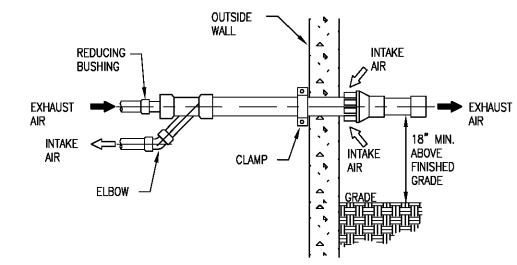
7 MOP SINK DETAIL
SCALE: NONE



6 WALL CLEANOUT (WCO) DETAIL
SCALE: NONE

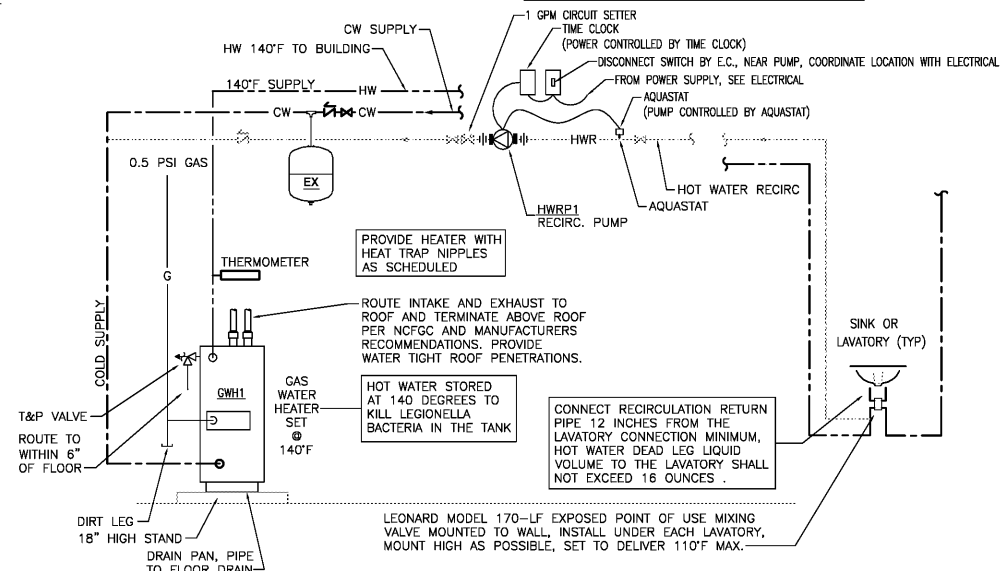


5 GRADE CLEANOUT (GCO) DETAIL
SCALE: NONE



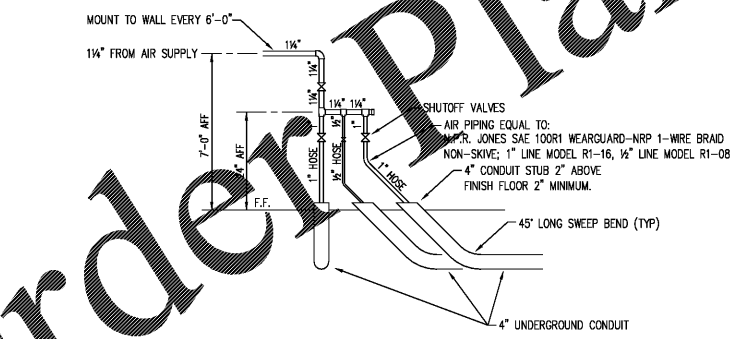
4 CONCENTRIC VENT DETAIL
SCALE: NONE

HOT WATER RE-CIRCULATION PUMP SHALL BE CONTROLLED BY THE AQUA-STAT. PUMP ON SET POINT: 130°F PUMP OFF SET POINT: 140°F DURING UN-OCCUPIED HOURS, TIME CLOCK SHALL BE PROGRAMMED TO CIRCULATE WATER FOR 5 MIN. EVERY 30 MINUTES TO PREVENT STAGNANT WATER WITHIN THE SYSTEM.

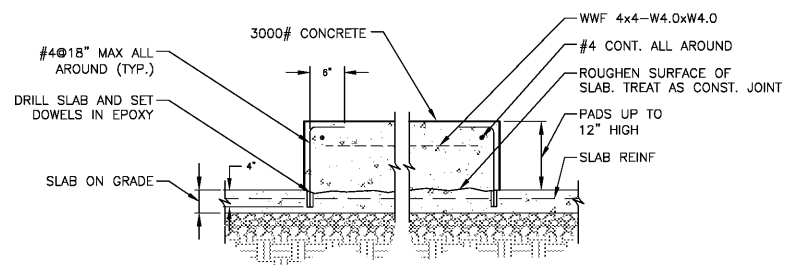


1 DOMESTIC GAS WATER HEATER SCHEMATIC AND LEGIONELLA MITIGATION
SCALE: NONE

NOTE: THE RECIRCULATION SYSTEM SHALL BE BALANCED AND A BALANCE REPORT SHALL BE PROVIDED TO THE BUILDING OWNER AND THE ENGINEER OF RECORD.



3 AIR LINE SUPPLY TO LIFTS
SCALE: NONE



THE EXACT SIZE, SHAPE, AND LOCATION OF EQUIPMENT (HOUSEKEEPING) PAD(S) SHALL BE DETERMINED BY THE CONTRACTOR AFTER APPROVAL OF SHOP DRAWINGS FOR EQUIPMENT. ANCHOR BOLTS WHERE REQUIRED SHALL BE SIZED AND LOCATED ACCORDING TO MANUFACTURER'S REQUIREMENTS.

2 EQUIPMENT HOUSEKEEPING PAD
SCALE: NONE

Order Plans

BIDDING DOCUMENTS

DESIGNED BY: FACILITIES DESIGN ARCHITECTS & ENGINEERS

CONSULTANT: DEVITA

DRAWING TITLE / DESCRIPTION: PLUMBING DETAILS

PROJECT TITLE: LUMBERTON EQUIPMENT SHOP NCDOT HIGHWAY DIVISION 6

STATE CONSTRUCTION ID.# 16-12916-01A

ASSET NUMBER: CO.# SITE.# BLDG.#

78 - 06 - 00

REVISIONS NO. DATE

DATE ISSUED: 12/15/2017

DRAWN BY: DRB

CHECKED BY: WLA

SHEET NO. P0.2