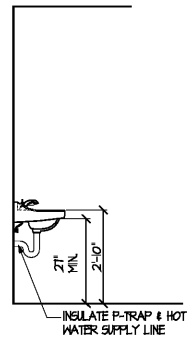
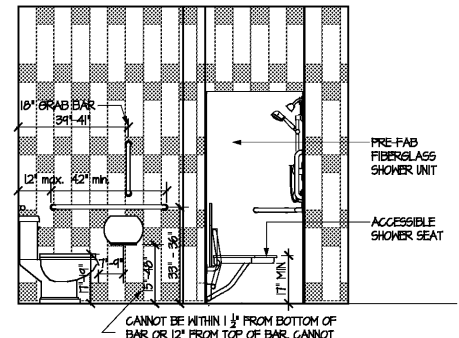


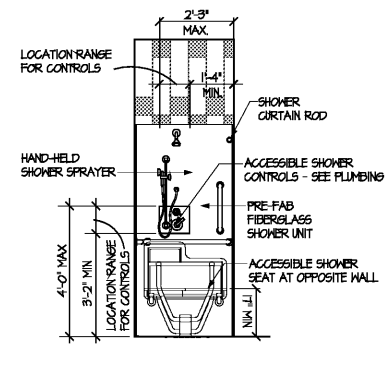
1 INTERIOR ELEVATION
A9 SCALE: 3/8" = 1'-0"



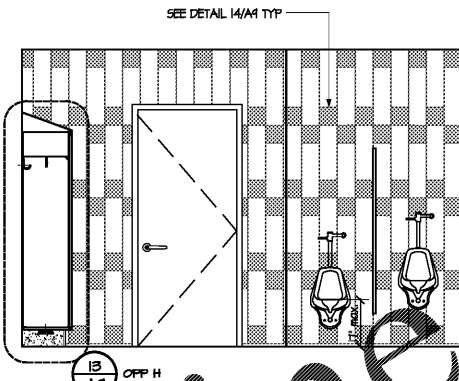
2 INTERIOR ELEVATION
A9 SCALE: 3/8" = 1'-0"



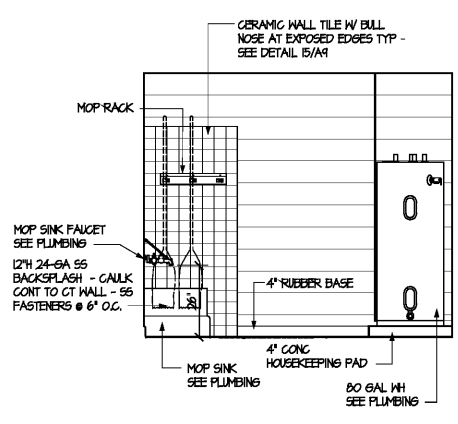
3 INTERIOR ELEVATION
A9 SCALE: 3/8" = 1'-0"



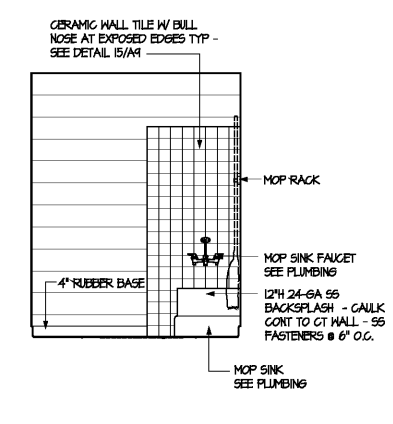
4 INTERIOR ELEVATION
A9 SCALE: 3/8" = 1'-0"



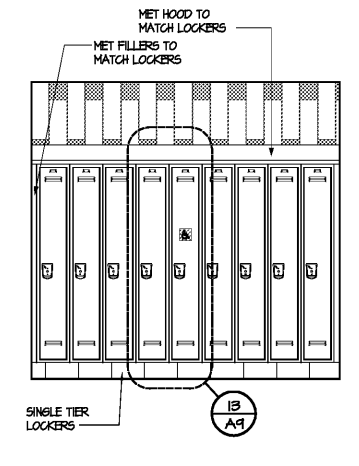
5 INTERIOR ELEVATION
A9 SCALE: 3/8" = 1'-0"



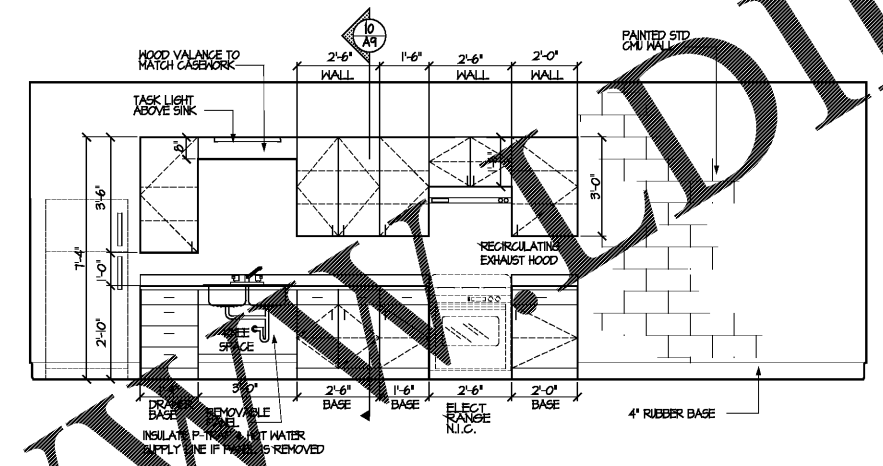
6 INTERIOR ELEVATION
A9 SCALE: 3/8" = 1'-0"



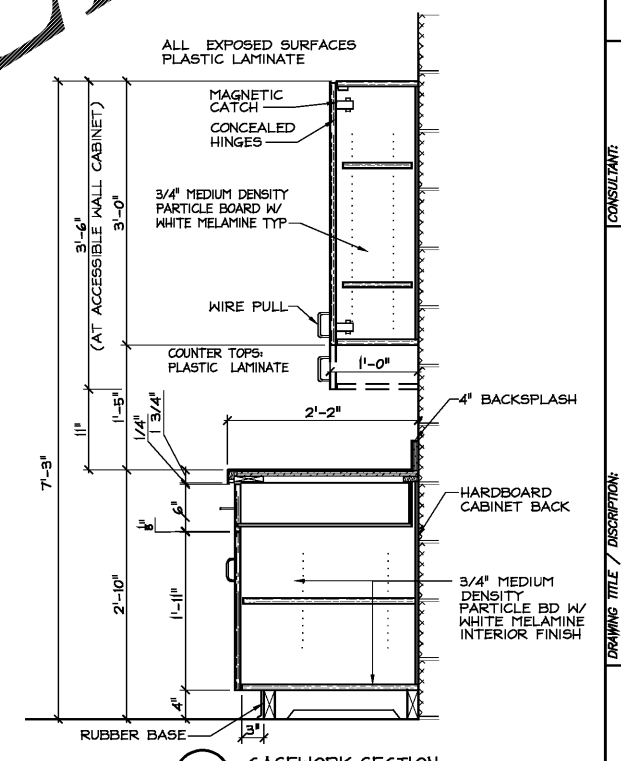
7 INTERIOR ELEVATION
A9 SCALE: 3/8" = 1'-0"



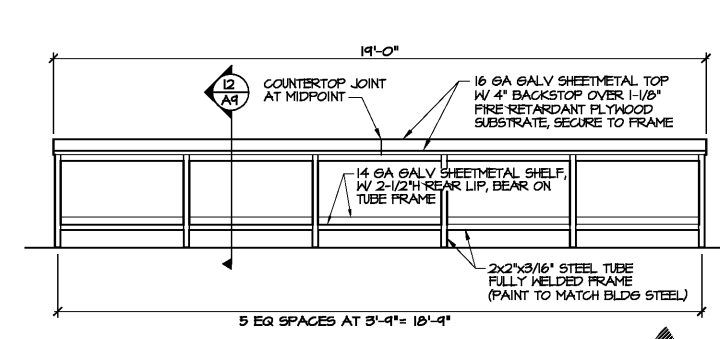
8 INTERIOR ELEVATION
A9 SCALE: 3/8" = 1'-0"



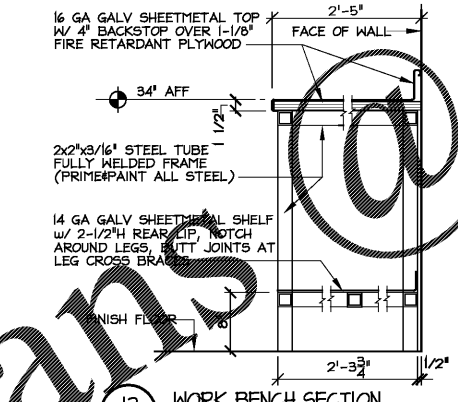
9 INTERIOR ELEVATION
A9 SCALE: 3/8" = 1'-0"



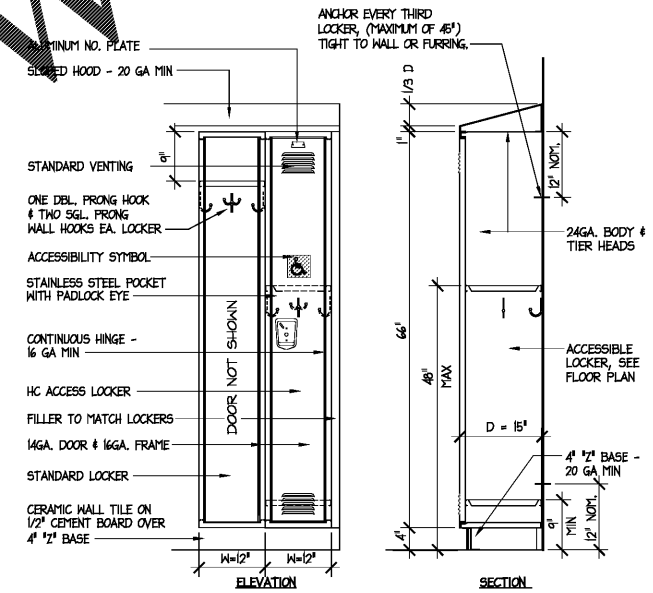
10 CASEWORK SECTION
A9 SCALE: 1" = 1'-0"



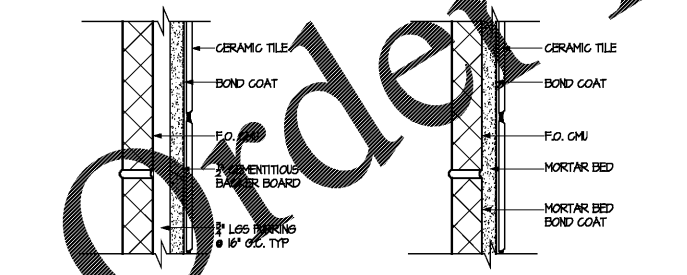
11 WORK BENCH ELEVATION
A9 SCALE: 3/8" = 1'-0"



12 WORK BENCH SECTION
A9 SCALE: 1" = 1'-0"

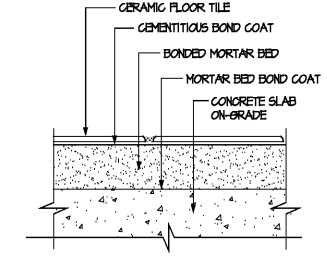


13 LOCKER SECTION
A9 SCALE: 3/4" = 1'-0"

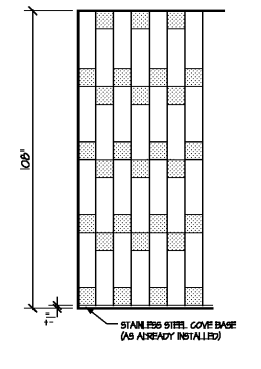


14 CERAMIC WALL TILE DETAIL
A9 SCALE: 3" = 1'-0" TGA H244C-12

15 CERAMIC WALL TILE DETAIL
A9 SCALE: 3" = 1'-0" TGA H211-12

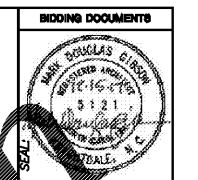


16 CERAMIC FLOOR TILE DETAIL
A9 SCALE: 3" = 1'-0" TGA F112-12



17 CERAMIC WALL TILE PATTERN
A9 SCALE: 3/8" = 1'-0"

LEGEND	
UNEX 106, MEN 107	
HALL	
DATA-VERANDA SOLDS	
SITE: F100 (8-12X 20)	
GIN-METAL F104 (8-12X 6-12)	
GRG- HALL	
TD	
FLOOR	
DATA-VERANDA SOLDS	
GIN-METAL F104 (8X 8)	
GRG- FLOOR	
TD	



DESIGNED BY:
FACILITIES DESIGN ARCHITECTS & ENGINEERS
FACILITIES MANAGEMENT DIVISION, INDIOT
1 SOUTH WILMINGTON STREET
RALEIGH, NORTH CAROLINA 27601
PHONE 919/707-4640 FAX 919/716-0389



CONSULTANT:
INTERIOR ELEVATIONS & DETAILS

DRAWING TITLE / DESCRIPTION:
INTERIOR ELEVATIONS & DETAILS

PROJECT TITLE:
LUMBERTON EQUIPMENT SHOP
LUMBERTON HIGHWAY DIVISION 6
NCDOT HIGHWAY DIVISION 6
872 NO 711 HIGHWAY
LUMBERTON, NORTH CAROLINA 28890

STATE CONSTRUCTION ID.# 16-12916-01A	ASSET NUMBER: CO.# SITE.# BLDG.#
	78 - 06 - 00
REVISIONS NO. DATE	
DATE ISSUED: 12/16/2017	DRAWN BY:
	CHECKED BY:
	SHEET NO.