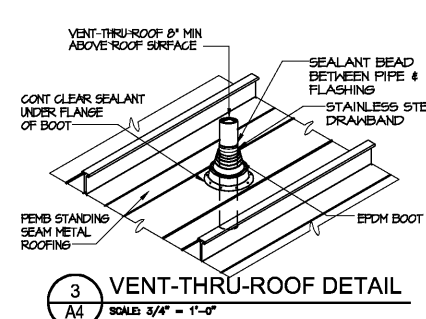
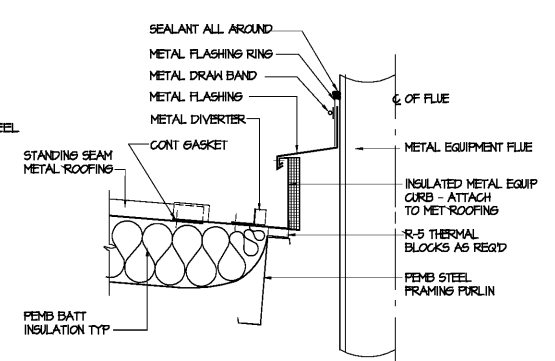


1 ROOF PLAN
A4 SCALE: 1/16" = 1'-0"



3 VENT-THRU-ROOF DETAIL
A4 SCALE: 3/4" = 1'-0"



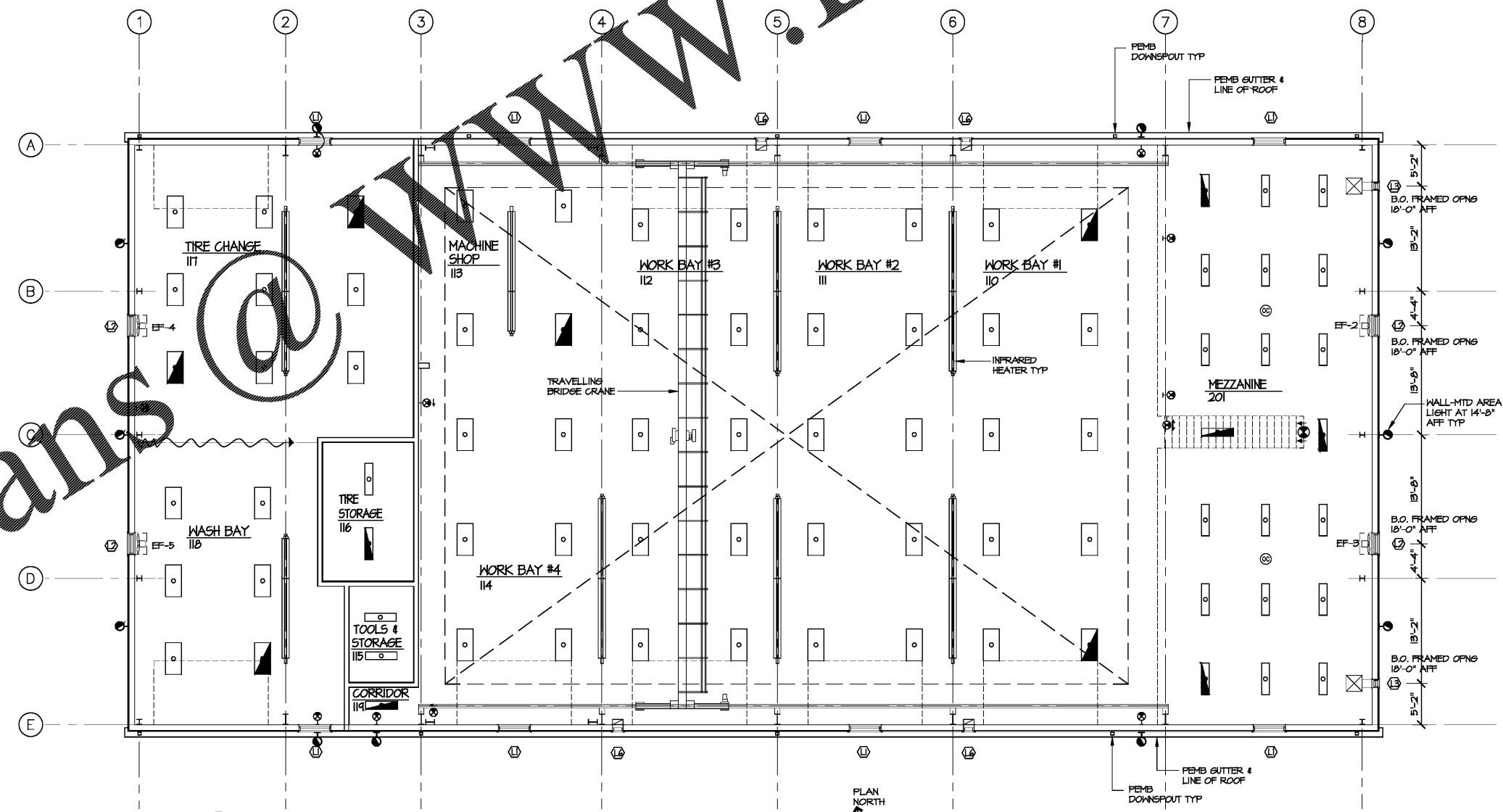
4 FLUE FLASHING DETAIL
A4 SCALE: 1 1/2" = 1'-0"

REFLECTED CEILING PLAN LEGEND

○	2'x4' LAY-IN LIGHT FIXTURE
◻	EMERGENCY LIGHT FIXTURE
○	1'x4' LIGHT FIXTURE
○	2'x2' LIGHT FIXTURE
◻	2'x2' SUPPLY MECHANICAL GRILLE
◻	2'x2' RETURN MECHANICAL GRILLE
⊠	EXHAUST
⊠	NAT GAS INFRARED HEATER
○	CEILING MOUNTED EXIT LT.
○	CEILING MOUNTED LT. FIXTURE
○	SMOKE DETECTOR
○	CEILING MOUNTED FIRE ALARM / STROBE
○	CEILING MOUNTED HEAT DETECTOR
○	OCCUPANCY SENSOR
○	WALL MOUNTED EGRESS LT. FIXTURE
○	CEILING MOUNTED EGRESS LT. FIXTURE
○	CLOSED CIRCUIT TV / SECURITY CAMERA
○	CEILING MOUNTED OCCUPANCY SENSOR
○	CEILING MOUNTED DAY-LIGHT SENSOR

ROOF PLAN NOTES:

- GC SHALL PROVIDE ALL ROOFING ACCESSORIES AND TRIM AS REQUIRED FOR COMPLETE SYSTEM. GC SHALL OBTAIN ALL PENS WALL AND ROOFING COMPONENTS FROM THE SAME MANUFACTURER. INSTALL ALL COMPONENTS PER MANUFACTURER'S INSTRUCTIONS. PROVIDE MANUFACTURER'S WARRANTY FOR METAL ROOFING PER SPECIFICATIONS.
- GC SHALL PROVIDE ALL ROOF FLASHING ASSEMBLIES REQUIRED FOR ALL PENETRATING ITEMS. FLASHING MATERIALS SHALL BE COMMERCIAL GRADE AND SHALL BE COMPATIBLE WITH STANDING SEAM METAL ROOFING PROVIDED.
- ARROWS ON THE ROOF PLAN INDICATE WATER DRAINAGE DIRECTION. ROOF SLOPES SHALL BE A MIN. OF 1" PER FT. OR AS PER MANUFACTURER'S RECOMMENDATIONS.
- ALL DOWNSPOUTS SHALL BE PROVIDED WITH PIPE BOOTS/ADAPTERS TO UNDERGROUND STORM PIPING. SEE PLUMBING AND CIVIL FOR CONNECTION, PIPING, AND CONTINUATION OF STORM PIPING.
- SEE MECHANICAL & PLUMBING DRAWINGS FOR LOCATIONS, SIZES, & DETAILS OF ALL VENT PIPES, EXHAUST VENT PIPES, ETC.



2 UPPER LEVEL REFLECTED CEILING PLAN
A4 SCALE: 1/8" = 1'-0"

NOTE: GC SHALL COORDINATE ELEVATION OF LIGHTS, HEATERS, & OTHER DEVICES IN WORK BAYS TO BE 8" MINIMUM ABOVE BRIDGE CRANE, SECTIONAL DOOR TRACKS, ETC. RUN PIPING, CONDUIT, ETC. TIGHT TO BUILDING STRUCTURE.

Order Plans @ www.LDILine.com

BIDDING DOCUMENTS

DESIGNED BY: **FACILITIES DESIGN ARCHITECTS & ENGINEERS**
 FACILITIES MANAGEMENT DIVISION, INCORPORATED
 100 SOUTH WILMINGTON STREET
 WILMINGTON, NORTH CAROLINA 28401
 PHONE: 910/717-4640 FAX: 910/715-0289

CONSULTANT: **PROFFER & ASSOCIATES, INC.**
 1000 W. WILSON STREET
 WILMINGTON, NORTH CAROLINA 28401
 PHONE: 910/717-4640 FAX: 910/715-0289

DRAWING TITLE: **ROOF PLAN & UPPER LEVEL REFLECTED CEILING PLAN**

PROJECT TITLE: **LUMBERTON EQUIPMENT SHOP**
 LUMBERTON HIGHWAY DIVISION 6
 8722 NO. 7TH HIGHWAY
 LUMBERTON, NORTH CAROLINA 28860

STATE CONSTRUCTION	ID.# 16-12916-01A
ASSET NUMBER:	
CO.# SITE# BLDG.#	78 - 06 - 00
REVISIONS	
NO.	DATE

DATE ISSUED: 12/16/2017
 DRAWN BY:
 CHECKED BY:
 SHEET NO.

A4