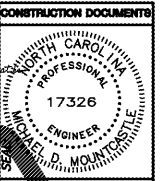


Designed by: Michael Mountain



FACILITIES DESIGN ARCHITECTS & ENGINEERS FACILITIES MANAGEMENT DIVISION, INCORP. 1 SOUTH WASHINGTON STREET, WASHINGTON, NORTH CAROLINA 27070. PHONE 919/707-4840 FAX 919/716-0886



CONSULTANT:

DRAWING TITLE / DESCRIPTION: MEZZANINE & FRAMING DETAILS

PROJECT TITLE: Lumberton Equipment Sub-Shop

STATE CONSTRUCTION ID# 16-12916-01A

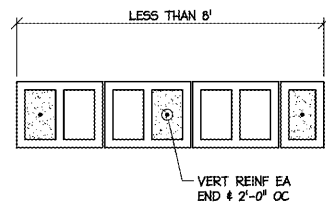
ASSET NUMBER: 78-06-00

NO. DATE

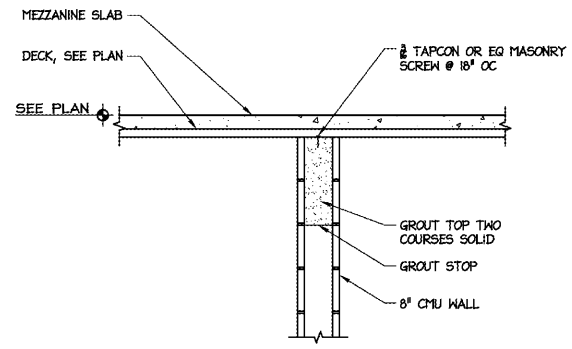
REVISIONS

DATE ISSUED: 12-15-17 DRAWN BY: MDM CHECKED BY: MDM SHEET NO.

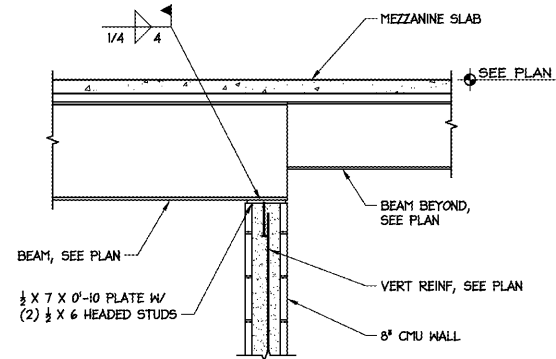
S5



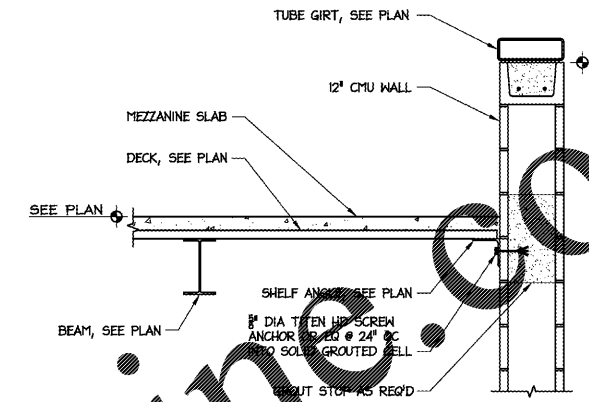
12 PLAN DETAIL MASONRY REINF SCALE: 3/4" = 1'-0"



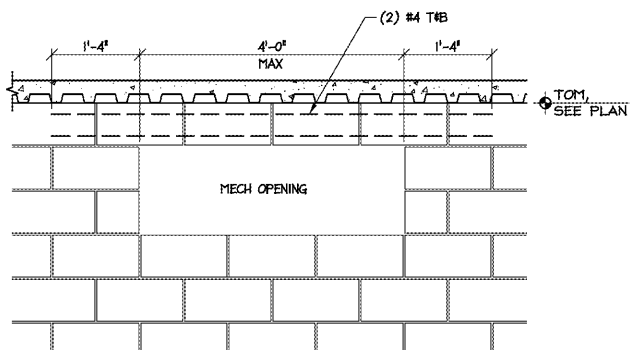
9 DECK BEARING ON MASONRY SCALE: 3/4" = 1'-0"



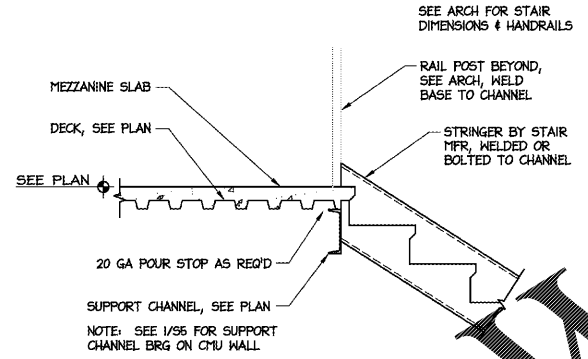
6 GIRDER BEARING ON MASONRY SCALE: 3/4" = 1'-0"



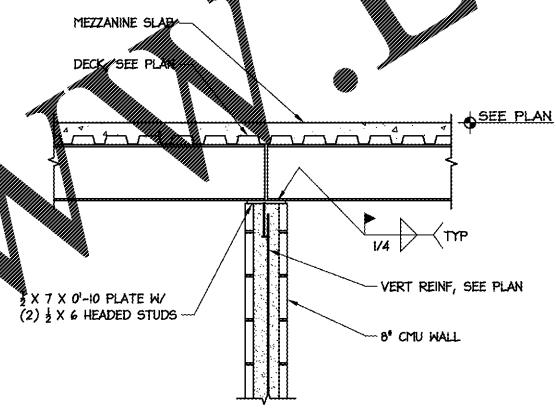
3 MEZZANINE EDGE AT EXT WALL SCALE: 3/4" = 1'-0"



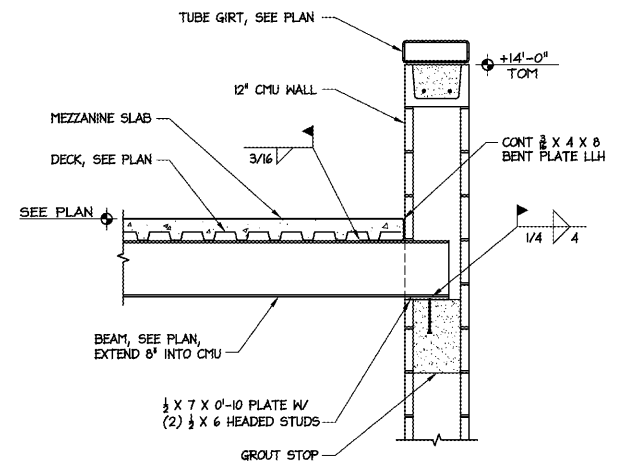
11 MECHANICAL OPENING AT MEZZ SCALE: 3/4" = 1'-0"



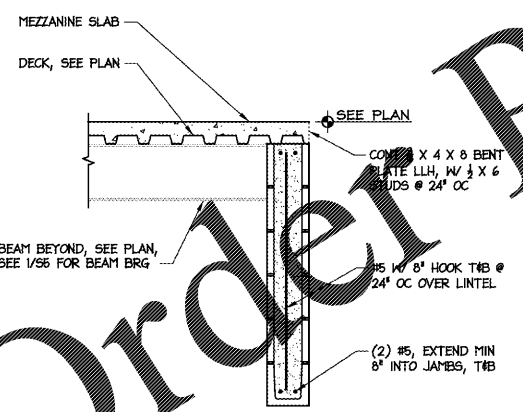
8 UPPER STAIR SUPPORT SCALE: 3/4" = 1'-0"



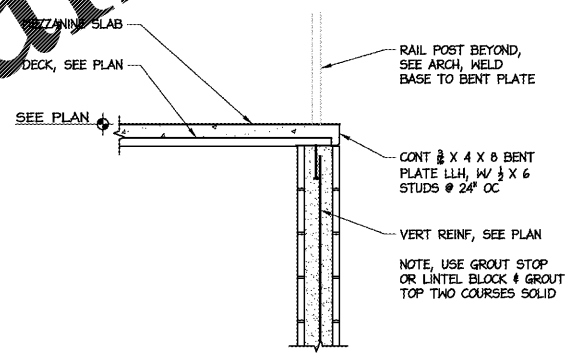
5 BEAM BEARING ON MASONRY SCALE: 3/4" = 1'-0"



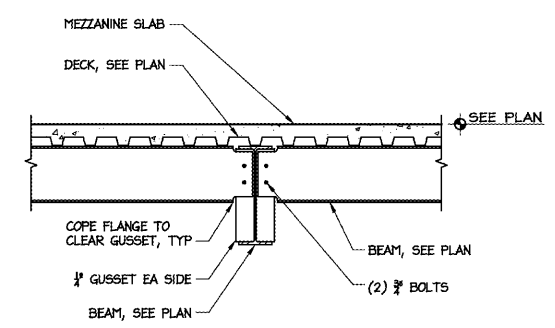
2 MEZZANINE EDGE AT EXT WALL SCALE: 3/4" = 1'-0"



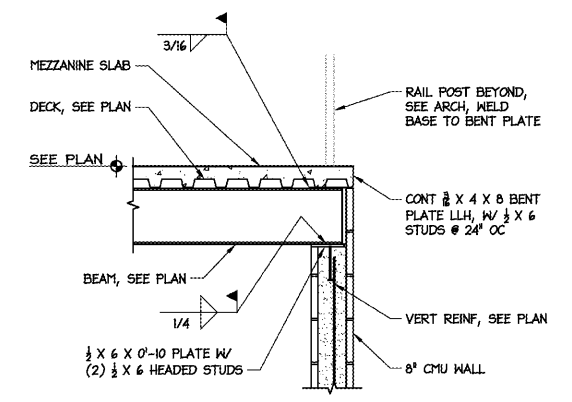
10 BEAM BEARING OVER LINTEL SCALE: 3/4" = 1'-0"



7 SLAB EDGE AT STAIRS SCALE: 3/4" = 1'-0"



4 BEAM BEARING ON GIRDER SCALE: 3/4" = 1'-0"



1 BEAM BEARING ON MASONRY SCALE: 3/4" = 1'-0"

Order Plans @

WWW.LDILine.com