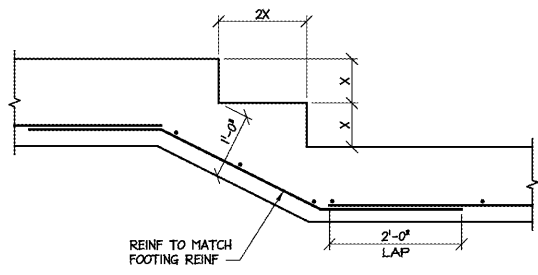
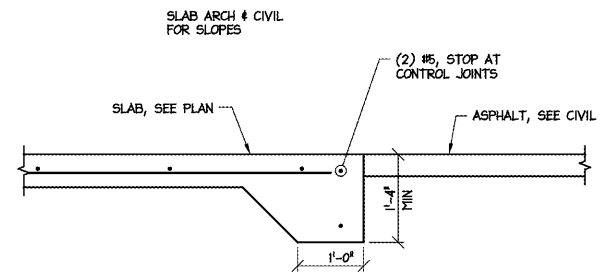


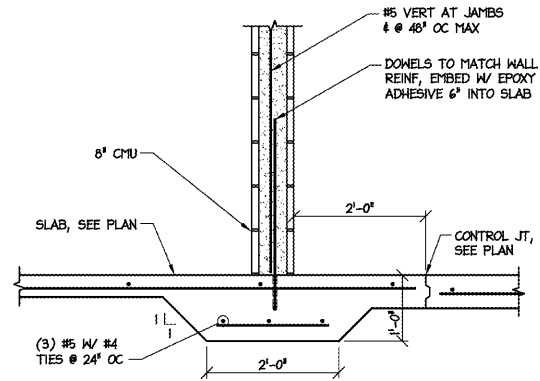
NOTE:
DIMENSION (X) TO BE IN MULTIPLES
OF 6" TO MATCH MASONRY COURSING.



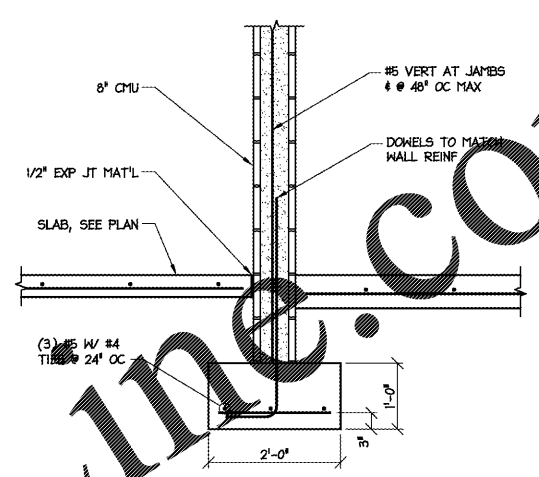
11 STEPPED FOOTING
SCALE: 3/4" = 1'-0"



8 CONCRETE APRON
SCALE: 3/4" = 1'-0"

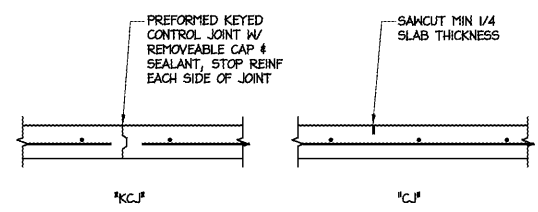


6 INTERIOR WALL FTG
SCALE: 3/4" = 1'-0"

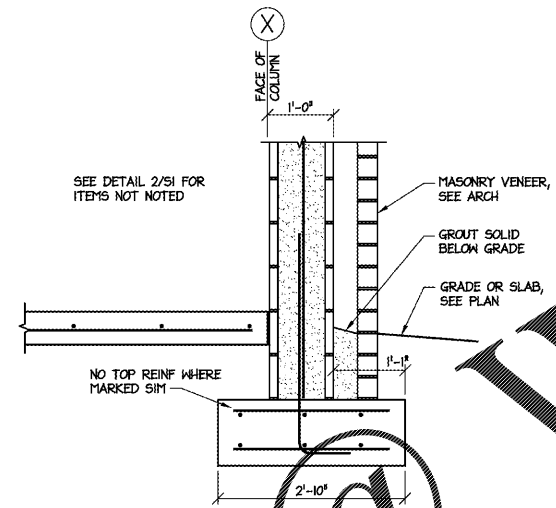


3 INTERIOR WALL FTG
SCALE: 3/4" = 1'-0"

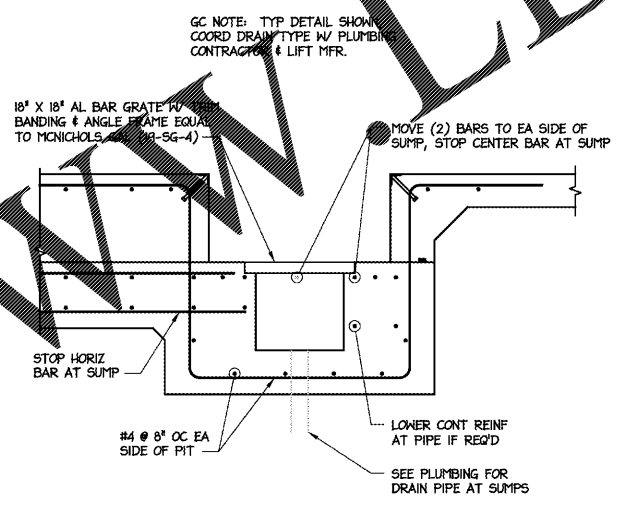
1. PREFORMED KEYED CONTROL JOINTS MAY BE USED AS CONSTRUCTION JOINTS AT THE OPTION OF THE CONTRACTOR.
2. INSTALL PREFORMED CONTROL JOINTS PER WRITTEN INSTRUCTIONS OF THE MANUFACTURER.
3. SEAL JOINTS W/ SPECIFIED CONCRETE SEALER.



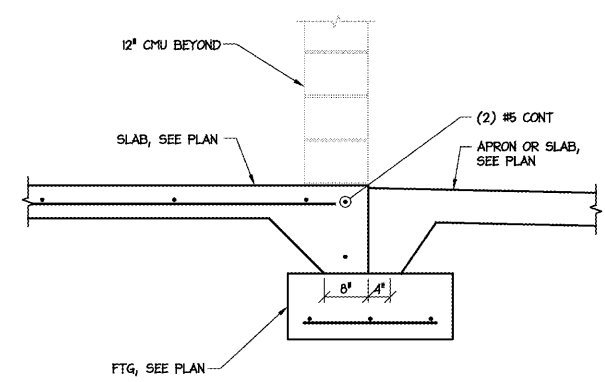
10 SLAB JOINTS
SCALE: 3/4" = 1'-0"



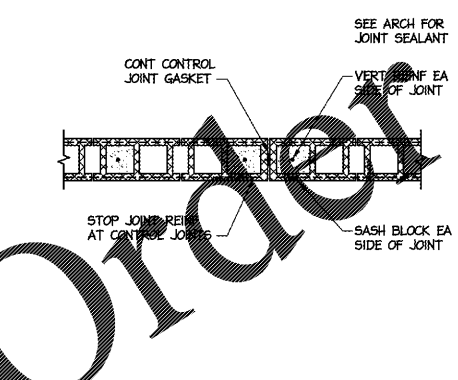
7 EXTERIOR WALL FTG w/ VENEER
SCALE: 3/4" = 1'-0"



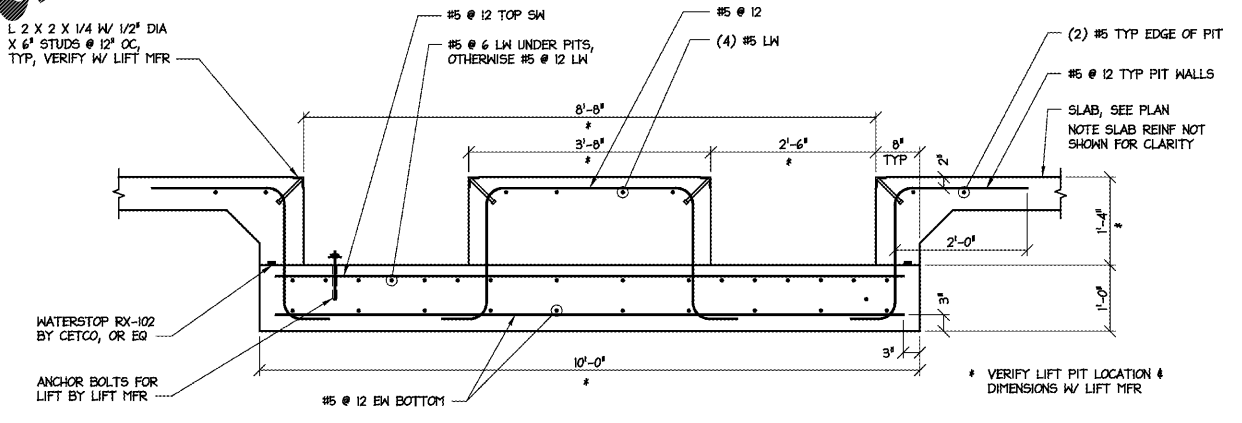
5 SUMP DETAIL
SCALE: 3/4" = 1'-0"



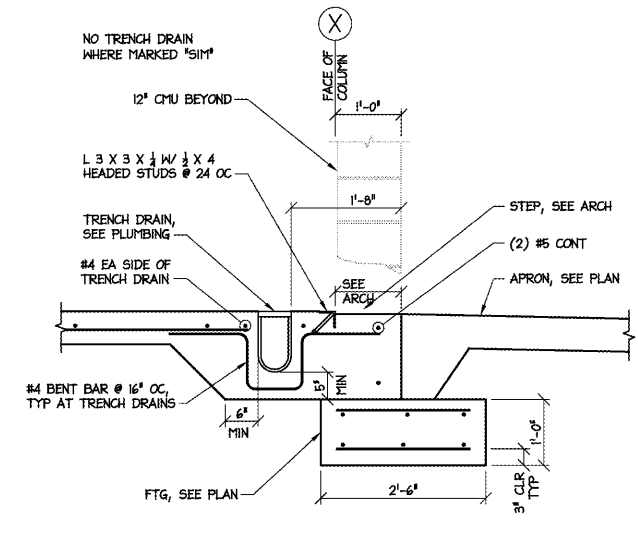
2 EXT WALL FTG AT DOORS
SCALE: 3/4" = 1'-0"



9 WALL CONTROL JOINT
SCALE: 3/4" = 1'-0"



4 LIFT PIT DETAIL
SCALE: 3/4" = 1'-0"



1 SECTION AT SHOP DOOR
SCALE: 3/4" = 1'-0"



DESIGNED BY:
FACILITIES DESIGN ARCHITECTS & ENGINEERS
FACILITIES MANAGEMENT DIVISION, INCORP.
1 SOUTH WILMINGTON STREET
PALMER, NORTH CAROLINA 27001
PHONE 919/707-4640 FAX 919/716-0889



CONSULTANT:

DRAWING TITLE / DESCRIPTION:
FOUNDATION DETAILS

PROJECT TITLE:
Lumberton Equipment Sub-Shop
HIGHWAY DIVISION 6, MCDOT
ROBESON COUNTY, NORTH CAROLINA

STATE CONSTRUCTION ID.# 16-12916-01A

ASSET NUMBER:
78-06-00

REVISIONS
NO. DATE

DATE ISSUED: 12-15-17
DRAWN BY: MDM
CHECKED BY: MDM

SHEET NO.