

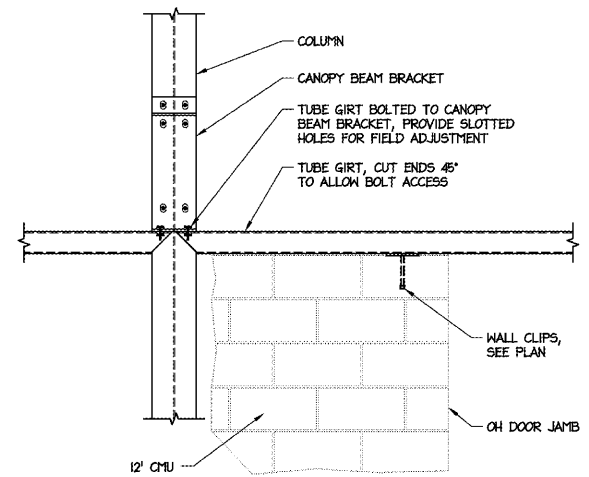
NOTES:

- ELEVATIONS SHOWN ON STRUCTURAL PLANS ARE RELATIVE TO THE FIN FLOOR ELEVATION = +0'-0". SEE ARCH & SITE PLANS FOR TRUE ELEVATIONS.
- CUT CMU AS REQ'D FOR PROPER BEAM BEARING ELEVATIONS. WHERE EXPOSED TO VIEW, CMU SHALL BE TIGHT TO BEAM (WITHIN MORTAR JOINT THICKNESS). OTHERWISE, CUT CMU NO MORE THAN 4" WIDER THAN BEAM.
- MEZZANINE SLAB SHALL BE 4" TOTAL THICKNESS NW CONC SLAB W/ 6x6-WI-40X11.4 HWR ON 1.5V/22 GALVANIZED OR PAINTED METAL DECK.
- ATTACH FLOOR DECK TO BEAMS W/ 3/8" PUDDLE WELDS IN 3/4" PATTERN & #10 SIDELAP SCREWS @ 16" OC.
- PROVIDE DECK CLOSURE PLATES AS REQ'D AT COLUMNS, DUCTS, & OTHER OPENINGS.
- STEEL STAIRS SHALL BE DESIGNED FOR 100 PSF LIVE LOAD. PROVIDE SHOP DRAINING SEALED BY A PROFESSIONAL ENGINEER LICENSED IN NORTH CAROLINA. SEE ARCH FOR DIMENSIONS.
- SEE 11/55 FOR MECHANICAL OPENINGS IN CMU BELOW MEZZANINE.

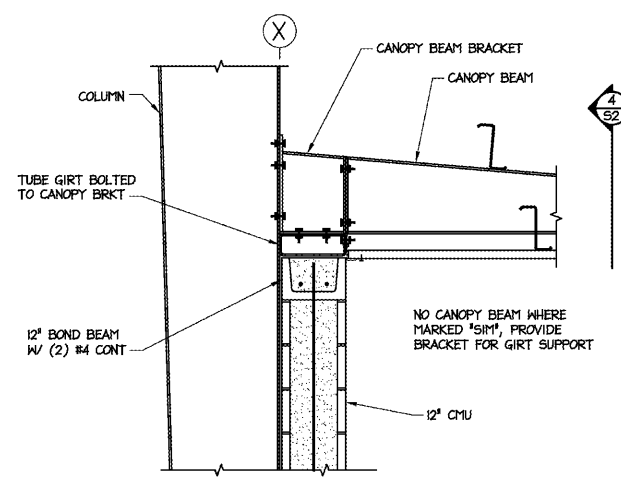
Designed by:
Michael Mount
PADEP038033004



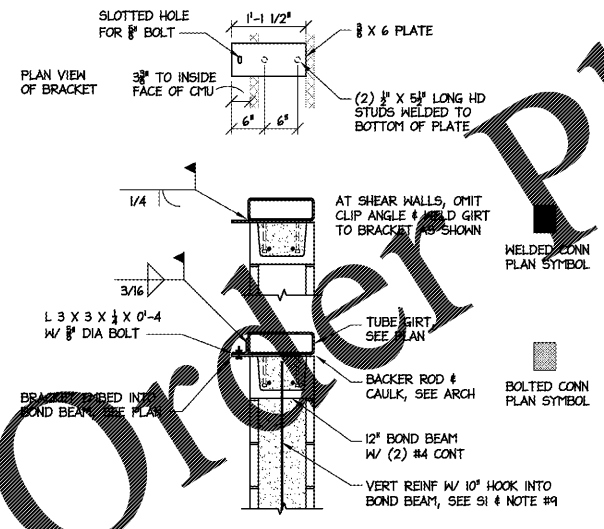
DESIGNED BY:
FACILITIES DESIGN ARCHITECTS & ENGINEERS
FACILITY MANAGEMENT DIVISION, INCORP
1 SOUTH WILMINGTON STREET
PARRISH, NORTH CAROLINA 27051
PHONE 910/707-4660 FAX 910/716-0889



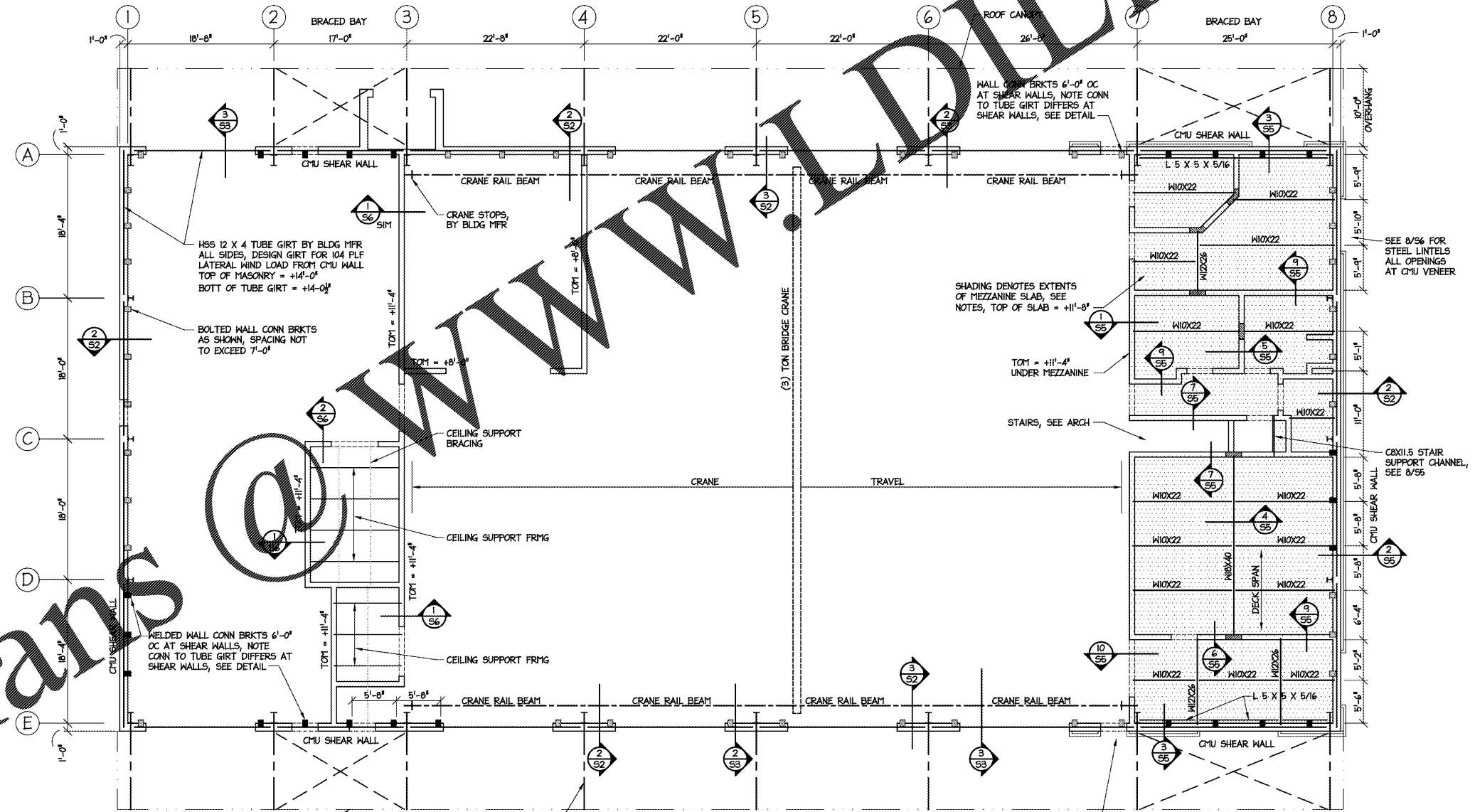
4 TUBE GIRT AT COLUMN
SCALE: 3/4" = 1'-0"



3 TUBE GIRT AT COLUMN
SCALE: 3/4" = 1'-0"



2 MASONRY CONN TO TUBE GIRT
SCALE: 3/4" = 1'-0"



1 MEZZANINE FRAMING PLAN
SCALE: 1/8" = 1'-0"



CONSULTANT:

DRAWING TITLE / DESCRIPTION:
MEZZANINE FRAMING PLAN
FRAMING DETAILS

PROJECT TITLE:
Lumberton Equipment Sub-Shop
HIGHWAY DIVISION 6, MCDOT
ROBEESON COUNTY, NORTH CAROLINA

STATE CONSTRUCTION ID.# 16-12916-01A

ASSET NUMBER:
CO.# SITE.# BLDG.#
78-06-00

REVISIONS
NO. DATE

DATE ISSUED: 12-16-17
DRAWN BY: MDM
CHECKED BY: MDM

SHEET NO.
S2