

NOTES:

- USE WIRE A MINIMUM OF 32" IN WIDTH AND WITH A MINIMUM OF 6 LINE WIRES WITH 12" STAY SPACING.
- USE FILTRATION GEOTEXTILE A MINIMUM OF 36" IN WIDTH AND FASTER ADEQUATELY TO THE WIRE AS DIRECTED.
- PROVIDE 5'-0" STEEL POST OF THE SELF-FASTENER ANGLE STEEL TYPE.
- FOR MECHANICAL SLICING METHOD INSTALLATION, GEOTEXTILE SHALL BE A MAXIMUM OF 18" ABOVE GROUND SURFACE.

NOTES:

- PLACE CONTINUOUS RUN OF FENCE MATERIAL AS SHOWN ON PLANS.
- ATTACH AT 10' MAXIMUM INTERVALS TO 2x4 POSTS, OR 1" POSTS, OR EXISTING NON SPECIMEN TREES WITH DIAMETER LESS THAN 4". DO NOT STAPLE TO TREES.
- FENCE MATERIAL SHALL BE TENSAR-TYPE HIGH STRENGTH POLYMER GEOTEXTILE OR EQUAL, BRIGHT ORANGE COLOR.
- PLACE A 2' X 2' SIGN THAT READS "TREE PROTECTION ZONE, KEEP OUT" AT LEAST EVERY 300 FEET ALONG FENCE.

SEEDBED PREPARATION

- CHISEL, COMPACTED AREAS AND SPREAD TOPSOIL 3 INCHES DEEP OVER ADVERSE SOIL CONDITIONS, IF AVAILABLE.
- RIP THE ENTIRE AREA TO 6 INCHES DEEP.
- REMOVE ALL LOOSE ROCK, ROOTS, AND OTHER OBSTRUCTIONS LEAVING SURFACE REASONABLY SMOOTH AND UNIFORM.
- APPLY AGRICULTURAL LIME, FERTILIZER, AND SUPERPHOSPHATE UNIFORMLY AND MIX WITH SOIL AS NOTED BELOW.
- FERTILIZER TOPDRESSING: FERTILIZER USED FOR ALL ROADWAY AREAS EXCEPT SLOPES 2:1 AND STEEPER SHALL BE 10-20-20 GRADE AND SHALL BE APPLIED AT THE RATE OF 500 POUNDS PER ACRE. A DIFFERENT ANALYSIS OF FERTILIZER MAY BE USED PROVIDED THE 1-2-2 RATIO IS MAINTAINED AND THE RATE OF APPLICATION ADJUSTED TO PROVIDE THE SAME AMOUNT OF PLANT FOOD AT 10-20-20 ANALYSIS AND AS DIRECTED.
- CONTINUE TILLAGE UNTIL A WELL-PULVERIZED, FIRM AND REASONABLE UNIFORM SEEDBED IS PREPARED 4'-6" DEEP.
- SEED ON A FRESHLY PREPARED SEEDBED AND COVER SEED LIGHTLY WITH SEEDING EQUIPMENT OR CULTIPACK AFTER SEEDING. REFERENCE SPECIFICATIONS FOR NCDOT REQUIRED SEEDING AND MULCHING REQUIREMENTS.
- MULCH IMMEDIATELY AFTER SEEDING AND ANCHOR MULCH.
- INSPECT ALL SEEDING AREAS AND MAKE NECESSARY REPAIRS OR RESEEDINGS WITHIN THE PLANNING SEASON, IF POSSIBLE. IF STAND SHOULD BE OVER 60% DAMAGED, REESTABLISH FOLLOWING ORIGINAL PLANTING SEASON.
- CONSULT CONVERSATION INSPECTOR ON MAINTENANCE TREATMENT OF FERTILIZER AFTER PERMANENT COVER IS ESTABLISHED.

TEMPORARY SEEDING PURPOSE:

- TO STABILIZE EROSION CONTROL AREAS BEFORE FINAL GRADING OR IN A REASON NOT SUITABLE FOR PERMANENT SEEDING.
- MINIMUM SEEDING REQUIREMENTS: SEEDING SHALL BE PERFORMED IN ACCORDANCE WITH THE FOLLOWING SPECIFICATIONS:
 - SEED SELECTION, MULTISELECTION AND SEED QUALITY - CONSULT GENERAL SERVICES SPECIAL PROVISION FOR EROSION CONTROL PROVIDED IN SPECIFICATIONS.
 - TEMPORARY SEEDING PREPARATION AND SEEDING SHALL BE THE SAME ANALYSIS AS SPECIFIED FOR IN SEEDING AND MULCHING IN THE GENERAL SERVICES SPECIAL PROVISION FOR EROSION CONTROL PROVIDED IN THE SPECIFICATIONS.
 - FERTILIZER SHALL BE APPLIED AT 400 POUNDS AND SEEDED AT THE RATE OF 50 POUNDS PER ACRE. SWEET SUDAN GRASS, GERMAN MILLET OR BROWNTOP MILLET SHALL BE USED IN SUMMER MONTHS, AND RYE GRAIN DURING THE REMAINDER OF THE YEAR.
 - SEED EVENLY USING A CYCLONE SEEDER, ROTARY SPREADER, DROP SPREADER, CULTIPACK SEEDER OR BROADCASTER. HAND BROADCASTING IS NOT RECOMMENDED DUE TO DIFFICULTY IN ACHIEVING A UNIFORM STAND.
 - COVER BROADCAST SEED BY RAKING. FIRM LIGHTLY WITH A ROULER OR CULTIPACKER.
 - MULCH ALL SEEDINGS TO REDUCE EROSION AND ENCOURAGE GROWTH. CONSULT GENERAL SERVICES SPECIAL PROVISION FOR EROSION CONTROL PROVIDED IN SPECIFICATIONS.
- CONSULT GENERAL SERVICES SPECIAL PROVISION FOR EROSION CONTROL PROVIDED IN SPECIFICATIONS.
- MOWING: THE MINIMUM MOWING HEIGHT ON THIS PROJECT SHALL BE 4 INCHES.
- MAINTENANCE:
 - INSPECT WITHIN 6 WEEKS OF PLANTING TO SEE IF STANDS ARE ADEQUATE. CHECK FOR DAMAGE AFTER HEAVY RAINS. STANDS SHOULD BE UNIFORM AND DENSE. FERTILIZE RESEED AND MULCH DAMAGED AND SPARSE AREAS IMMEDIATELY. TACK OR TIE DOWN MULCH AS NECESSARY.
 - TOPDRESS FALL PLANTINGS AS PER GENERAL SERVICES SPECIAL PROVISION FOR EROSION CONTROL.

NOTES:

- SEE APPROPRIATE CHART FOR DIMENSIONS.
- $d = 1.5$ times the maximum stone dia, but not less than 6".
- A filter blanket or filter fabric should be installed between the riprap and soil foundation.

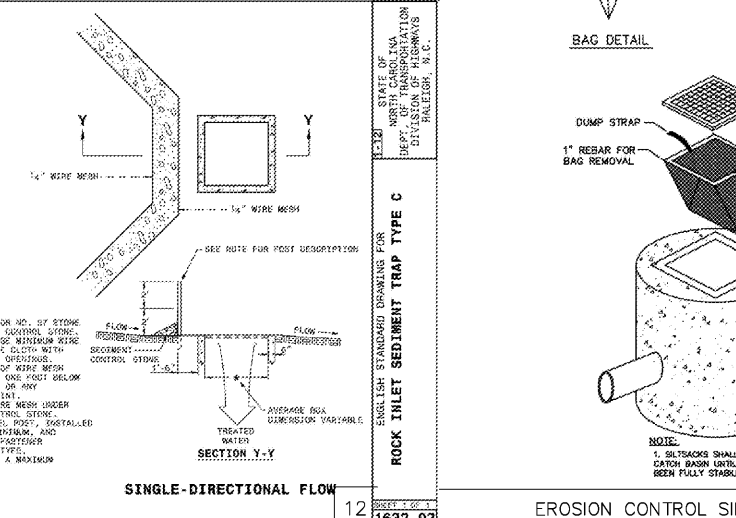
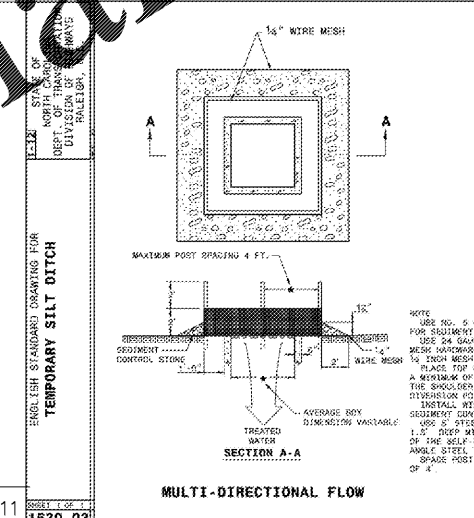
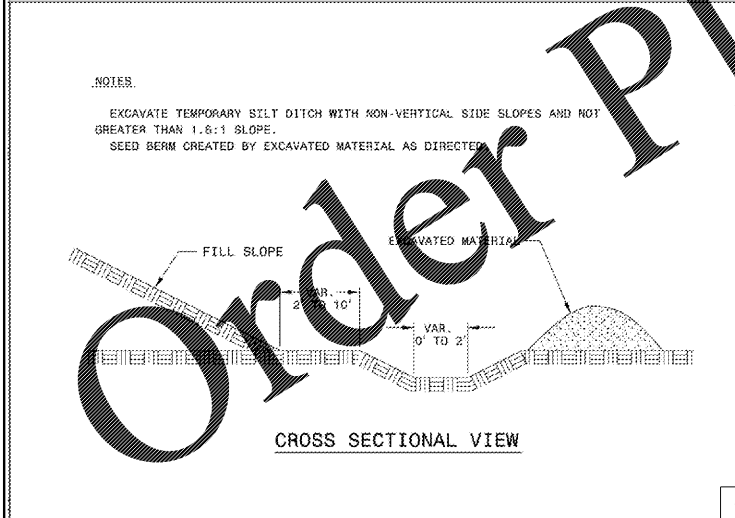
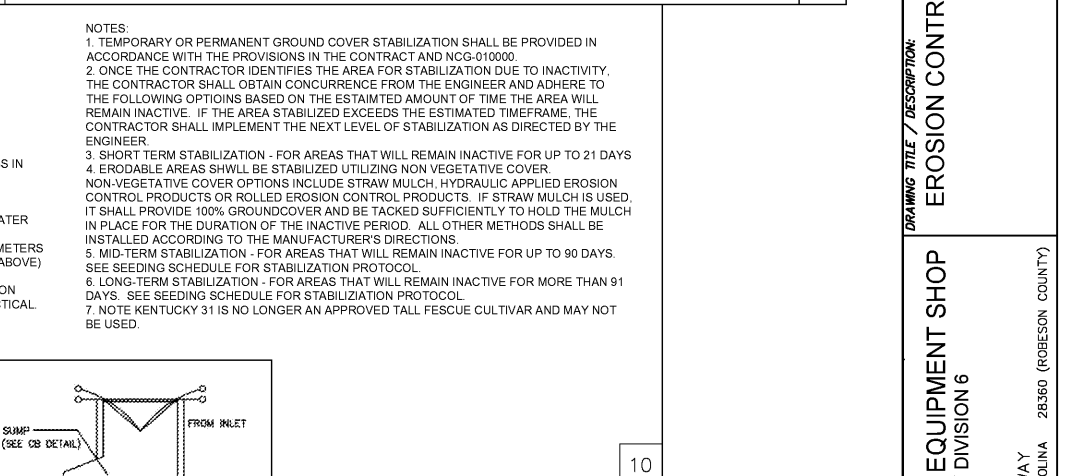
NOTES:

- EXCAVATE TEMPORARY SILT DITCH WITH NON-VERTICAL SIDE SLOPES AND NOT GREATER THAN 1.5:1 SLOPE.
- SEED BERM CREATED BY EXCAVATED MATERIAL AS DIRECTED.

GROUND STABILIZATION DWQ CONSTRUCTION GENERAL PERMIT SCHEDULE

SITE AREA DESCRIPTION	STABILIZATION TIME FRAME	STABILIZATION TIME FRAME EXCEPTIONS
PERIMETER DIKES, SWALES, DITCHES AND SLOPES	7 DAYS	NONE
HIGH QUALITY WATER (HWQ) ZONES	7 DAYS	NONE
SLOPES STEEPER THAN 3:1	7 DAYS	IF SLOPES ARE 10' OR LESS IN LENGTH AND ARE NOT STEEPER THAN 2:1 THEN 14 DAYS IS ALLOWED
SLOPES 3:1 OR FLATTER	14 DAYS	7 DAYS FOR SLOPES GREATER THAN 50 FEET IN LENGTH
ALL OTHER AREAS WITH SLOPES FLATTER THAN 4:1	14 DAYS	NONE (EXCEPT FOR PERIMETERS AND HWQ ZONES NOTED ABOVE)

*EXTENSIONS OF TIME MAY BE APPROVED BY THE PERMITTING AUTHORITY BASED ON WEATHER OR OTHER SITE-SPECIFIC CONDITIONS THAT MAKE COMPLIANCE IMPRACTICAL.



DETAIL NOTES

- LAND DISTURBING AND EROSION CONTROL DETAILS SHALL ADHERE TO ALL APPLICABLE STATE CONSTRUCTION STANDARDS.
- WATER SERVICES ON SITE ARE MANAGED BY NCDOT. WATER METERS AND MAINS ARE MANAGED BY THE CITY OF LUMBERTON, NORTH CAROLINA AND ARE TO ADHERE TO THEIR STANDARDS AND APPROVALS.
- SEWER SERVICE IS MANAGED BY NCDOT ON SITE AND IS TO ADHERE TO THE STANDARDS AND APPROVALS AS SET BY ROBESON COUNTY SEWER DEPARTMENT.
- ALL ROADWAY AND SITE WORK IS OWNED AND MAINTAINED BY NCDOT. ALL CONSTRUCTION FOR PUBLIC ACCESS ARE TO ADHERE TO NCDOT STANDARDS AND SPECIFICATIONS.