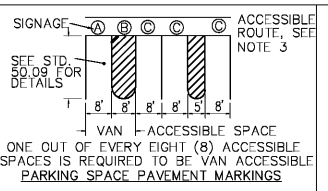


ACCESSIBLE PARKING REQUIREMENTS

TOTAL PARKING SPACES PROVIDED	MIN. # OF ACCESSIBLE SPACES REQ'D	MIN. # OF SPACES REQ'D TO BE VAN ACCESSIBLE
1 TO 25	1	1
26 TO 50	2	1
51 TO 75	3	1
76 TO 100	4	1
101 TO 150	5	1

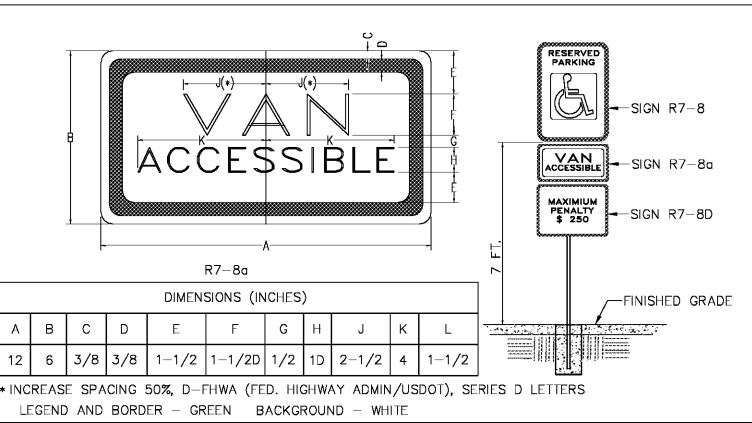


SECTION 4.1.2 (5) OF THE AMERICANS WITH DISABILITIES ACT - SEE 4.1.2.(5) (d) FOR MEDICAL CARE FACILITIES

NOTES:

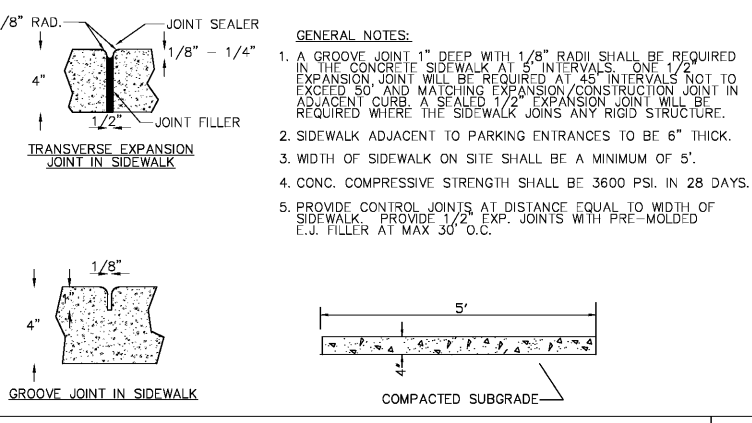
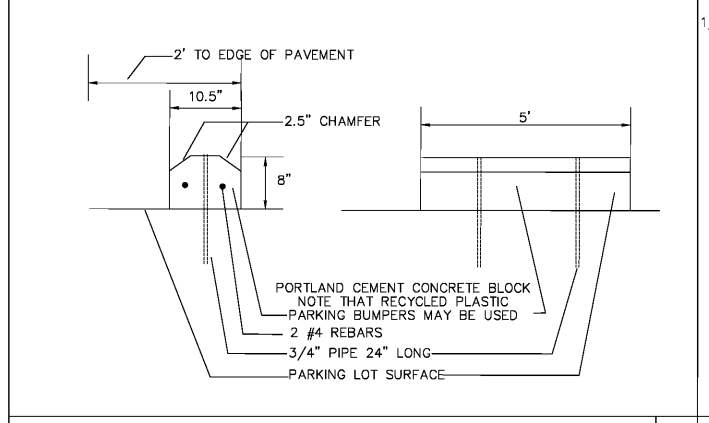
- ALL 12"x18" ACCESSIBLE SIGNS (R7-B&R7-1) SHALL BE MOUNTED AT 7 FEET FROM GRADE TO BOTTOM EDGE OF SIGN FACE (MUTCD).
- REFER TO MANUAL ON UNIFORM TRAFFIC CONTROL DEVICES (MUTCD), U.S. DEPARTMENT OF TRANSPORTATION AND NORTH CAROLINA DEPARTMENT OF TRANSPORTATION SUPPLEMENT.
- IF ACCESSIBLE ROUTE IS A RAISED SIDEWALK AREA, THEN RAMPS ARE REQUIRED AT LOADING ZONE AREA.

SEE STANDARD NO. 50.10B & 50.10C FOR SUPPLEMENTAL SIGN DETAIL



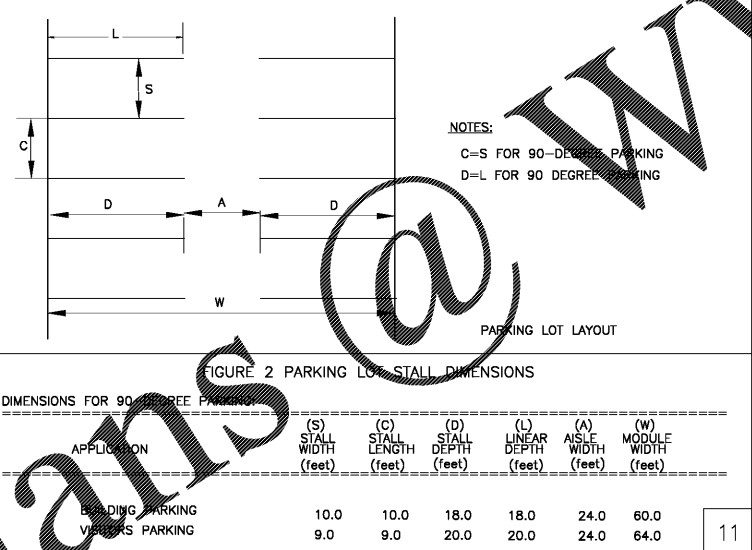
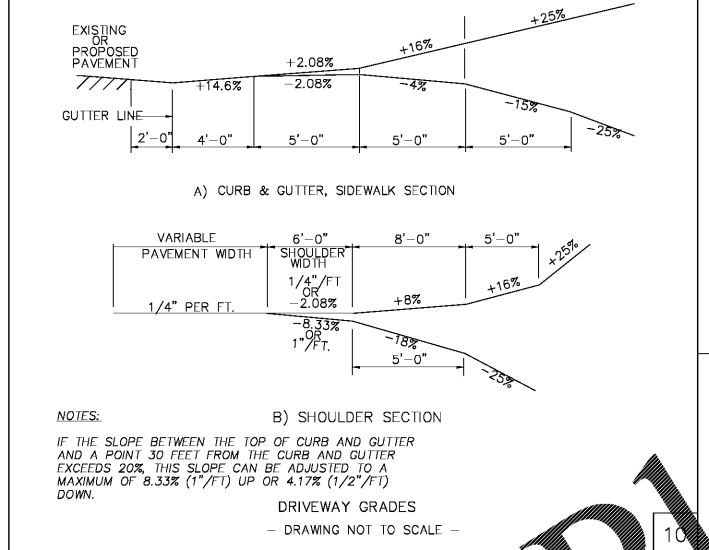
HANDICAP SIGNAGE 1

VAN ACCESSIBLE SIGNAGE 2



PARKING BUMPER 5

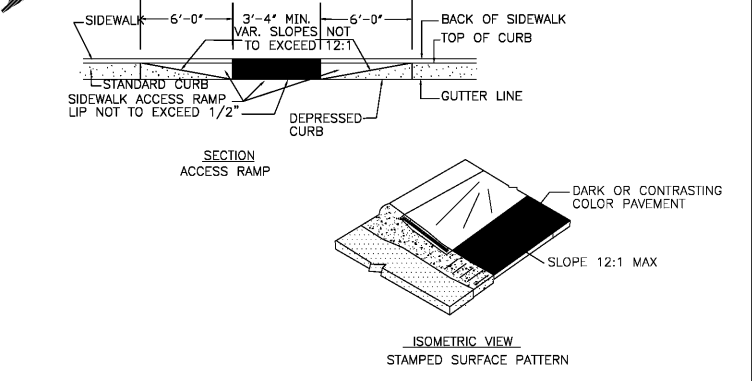
CONCRETE SIDEWALK SECTION TYPICAL 6



GENERAL NOTES - LOCATION OF WHEELCHAIR RAMP

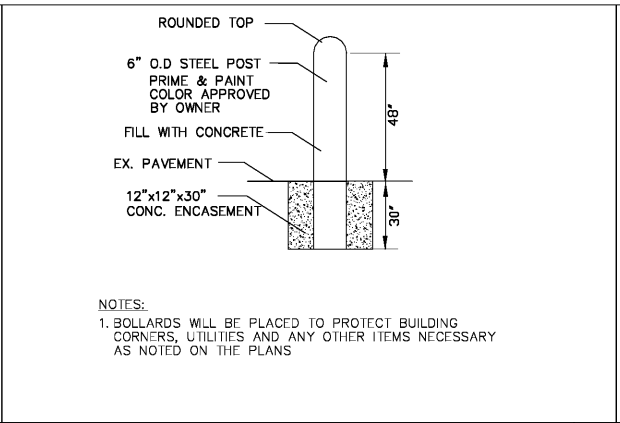
24" CURB & GUTTER TYPICAL SECTION 12

- SIDEWALK ACCESS RAMPS SHALL BE PROVIDED AT LOCATIONS AS SHOWN ON THE PLANS OR AS DIRECTED BY THE ENGINEER. WHEELCHAIR RAMPS SHALL BE LOCATED AS INDICATED IN THESE DETAILS; HOWEVER, THE LOCATION MAY BE ADJUSTED AS DIRECTED BY THE ENGINEER WHERE EXISTING LIGHT POLES, FIRE HYDRANTS, TRIP INLETS, ETC. AFFECT PLACEMENT. AT ALL LOCATIONS, NOT LESS THAN 2 FEET OF FULL HEIGHT CURB SHALL BE PLACED BETWEEN DOUBLE RAMPS.
- THE WALKING SURFACE SHALL BE SUBSTANTIAL. COLORS FOR THE RAMPS SHALL BE DARK CHARCOAL GRAY FOR CONTRAST WITH LIGHT PATHWAY COLORS AND LIGHT CONCRETE GRAY FOR CONTRAST WITH DARK PATHWAY COLORS AND SHALL BE AN INTEGRAL PART OF THE CONSTRUCTION MATERIAL.
- NO SLOPE ON THE SIDEWALK ACCESS RAMP SHALL EXCEED 1"/1' (12:1) IN RELATIONSHIP TO THE RAMP OF THE FEET.
- IN NO CASE SHALL THE WIDTH OF THE SIDEWALK ACCESS RAMP BE LESS THAN 40" (3' 4") HOWEVER, THE WIDTH MAY EXCEED 40".
- USE CLASS B CONCRETE WITH A SIDEWALK FINISH IN ORDER TO OBTAIN A ROUGH NONSKID NON-POURED TYPE SURFACE.
- A 1/2" EXPANSION JOINT WILL BE REQUIRED WHERE THE CONCRETE SIDEWALK ACCESS RAMP JOINS THE CURB AND AS SHOWN ON THE STANDARD DRAWING.

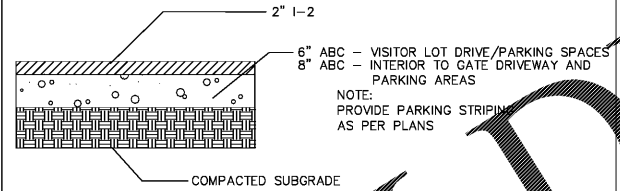


SIDEWALK ACCESS RAMPS 13

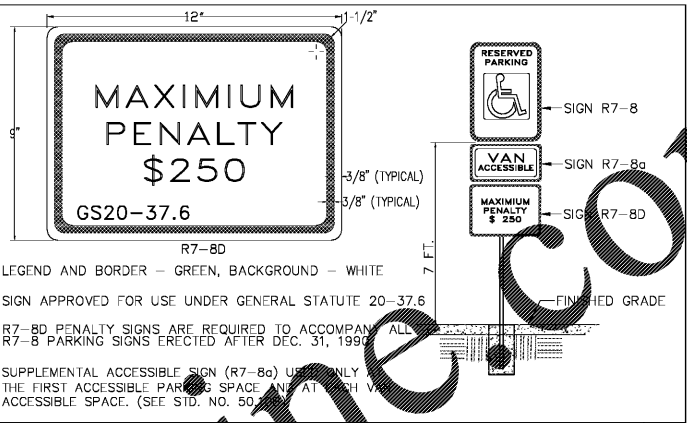
SIDEWALK ACCESS RAMPS: STAMPED SURFACE PATTERN 14



CONCRETE FILLED STEEL BOLLARD 3



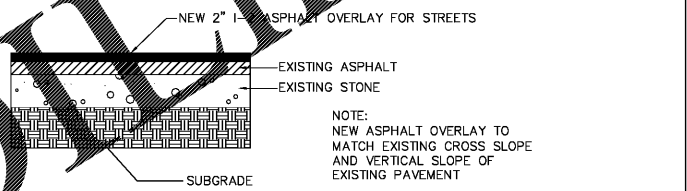
ASPHALT PARKING/DRIVEWAY 7



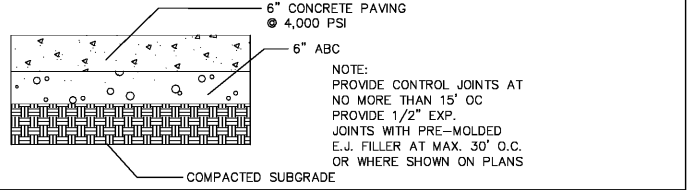
SUPPLEMENTAL ACCESSIBLE SIGN (R7-8D) 4



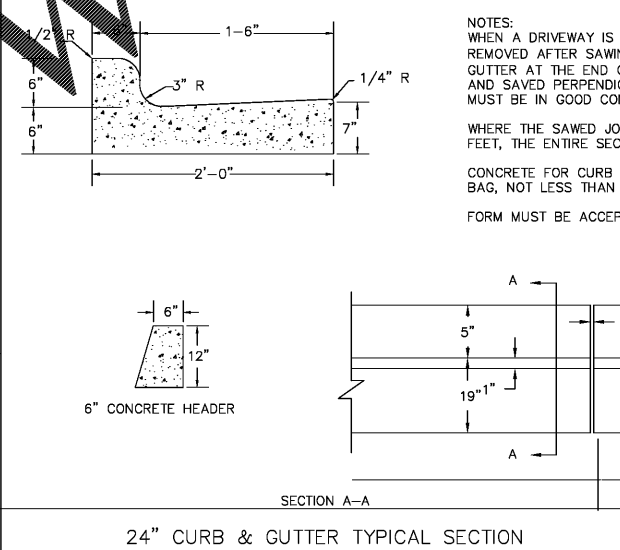
ASPHALT PARKING/DRIVEWAY 7



EXISTING ASPHALT PAVEMENT OVERLAY 8



CONCRETE PAVEMENT TYP. - MECH. EQUIP. 9



24" CURB & GUTTER TYPICAL SECTION 12

DETAIL NOTES

- LAND DISTURBING AND EROSION CONTROL DETAILS SHALL ADHERE TO ALL APPLICABLE STATE CONSTRUCTION STANDARDS.
- WATER SERVICES ON SITE ARE MANAGED BY NCDOT. WATER METERS AND MAINS ARE MANAGED BY THE CITY OF LUMBERTON, NORTH CAROLINA AND ARE TO ADHERE TO THEIR STANDARDS AND APPROVALS.
- SEWER SERVICES IS MANAGED BY NCDOT ONSITE AND IS TO ADHERE TO THE STANDARDS AND APPROVALS AS SET BY ROBESON COUNTY SEWER DEPARTMENT.
- ALL ROADWAY AND SITE WORK IS OWNED AND MAINTAINED BY NCDOT. ALL CONSTRUCTION FOR PUBLIC ACCESSSES ARE TO ADHERE TO NCDOT STANDARDS AND SPECIFICATIONS.

BIDDING DOCUMENTS

DESIGNED BY: FACILITIES DESIGN ARCHITECTS & ENGINEERS ARCHITECTS MANAGEMENT DIVISION (NCDOT)

CONSULTANT: B&F CONSULTING INC. 2000 W. BERRY AVE. RALEIGH, NORTH CAROLINA 27606 PHONE: 919-998-9102 FAX: 919-998-9101 NC LICENSE C2149

DRAWING TITLE / DESCRIPTION: SITE DETAILS

PROJECT TITLE: LUMBERTON EQUIPMENT SHOP NCDOT HIGHWAY DIVISION 6

STATE CONSTRUCTION ID.# 16-12916-01A

ASSET NUMBER: CO. # SITE # BLDG.# 78-06-00

REVISIONS: NO. DATE

DATE ISSUED: 1/26/2018
DRAWN BY: AF
CHECKED BY: RJB

SHEET NO. C6.1

872, NC. 711 HIGHWAY LUMBERTON, NORTH CAROLINA 28350 (ROBESON COUNTY)

© COPYRIGHT B&F CONSULTING, 2018