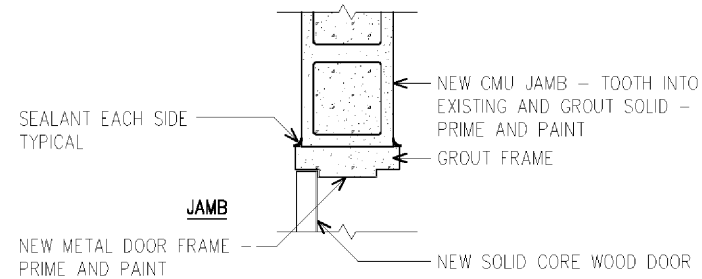
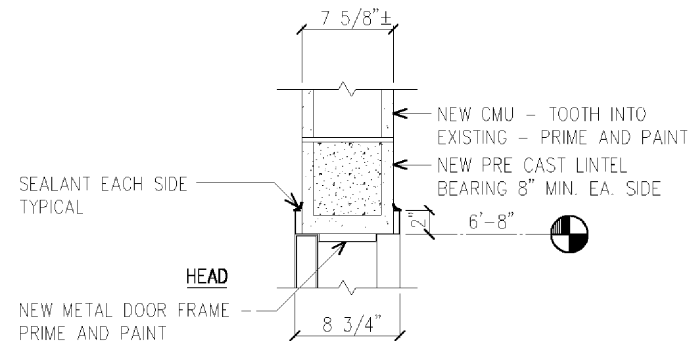


① GYP. BOARD BULKHEAD DETAIL
SCALE: 3/4" = 1'-0"

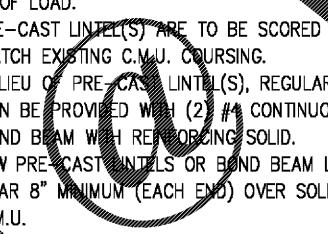


② ENLARGED DOOR DETAIL
SCALE: 3/4" = 1'-0"

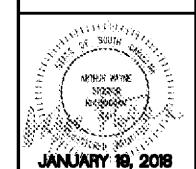
PRE-CAST LINTELS AND BOND BEAM NOTES:

1. SHORE ALL EXISTING WALLS (C.M.U. AND BRICK VENEER - AS OCCURS) AND ROOF FRAMING AS REQUIRED FOR SAFE INSTALLATION OF NEW LINTEL (S) EXISTING DRAWINGS ONLY INDICATE THAT EXTERIOR WALLS ARE SUPPORTING ROOF LOAD.
2. PRE-CAST LINTEL(S) ARE TO BE SCORED EACH SIDE TO MATCH EXISTING C.M.U. COURSING.
3. IN LIEU OF PRE-CAST LINTEL(S), REGULAR 8" BOND BEAMS CAN BE PROVIDED WITH (2) #4 CONTINUOUS BARS. GROUT BOND BEAM WITH REINFORCING SOLID.
4. NEW PRE-CAST LINTELS OR BOND BEAM LINTELS SHALL BEAR 8" MINIMUM (EACH END) OVER SOLID GROUTED C.M.U.

Order Plans



WWW.LDILine.com



Stogner Architecture, PA
ARCHITECTURE - CONSTRUCTION MANAGEMENT - DESIGN BUILD
615 East Broad Avenue, Rockingham, North Carolina, 28379
Phone 910-895-6874 Fax 910-895-1111

NORTHEASTERN TECHNICAL COLLEGE
BUILDING #800 RENOVATION
CHERAW SOUTH CAROLINA

MISCELLANEOUS WALL DETAILS
4420B\A4.0.oec
COMM. NO.: 4420B
DRAWN BY: FJF
CHECKED BY: AWS
DATE: JAN. 19, 2018
SHEET NO.
A4.0

