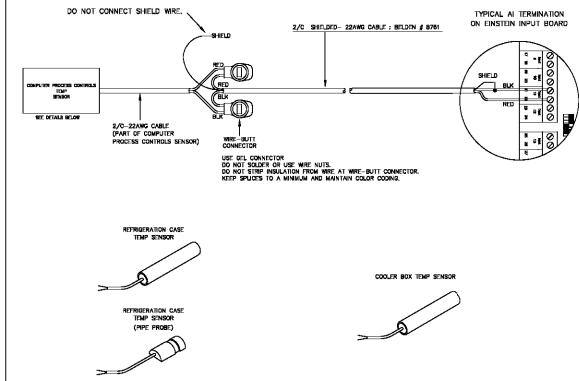
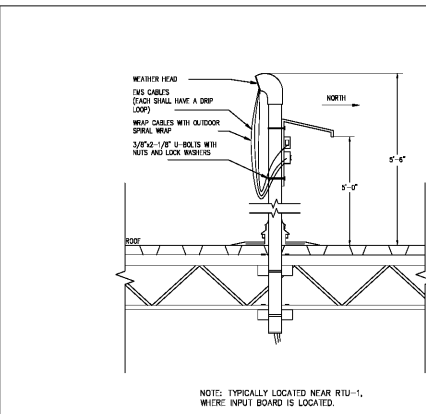


- NOTES:**
- DO NOT POWER ANY CONTROLS OR OTHER DEVICES WITH THE SAME TRANSFORMER THAT IS POWERING I/O CARDS.
 - THE TRANSFORMER SHALL BE LOCATED WITHIN AN ENCLOSURE OF NONCOMBUSTIBLE MATERIAL IN CONFORMANCE WITH THE REQUIREMENTS OF THE CLASS OF EQUIPMENT IN WHICH SITED.
 - A SPACING OF 1/4-INCH SHOULD BE PROVIDED BETWEEN THE TRANSFORMER AND THE MOUNTING SURFACE OF THE SHIELD SHEATH SHALL BE MOUNTED ON A METAL OR NONCOMBUSTIBLE SURFACE.
 - MAXIMUM OF (2) I/O CARDS TO BE POWERED PER TRANSFORMER (COMPUTER PROCESS CONTROLS PART NUMBER 840-0086).
 - MAXIMUM OF (4) I/O CARDS TO BE POWERED PER TRANSFORMER (COMPUTER PROCESS CONTROLS PART NUMBER 840-0086).

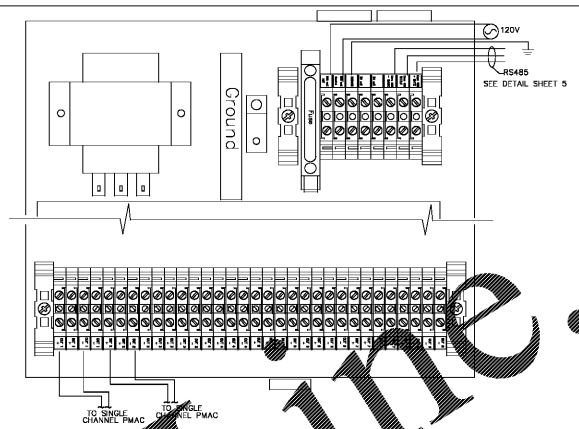
1 EINSTEIN CONTROL SYSTEM -- GENERIC I/O CARD POWER WIRING SCALE: NONE



2 EINSTEIN CONTROL SYSTEM -- WIRE SPlicing IN REFRIGERATED AREAS SCALE: NONE



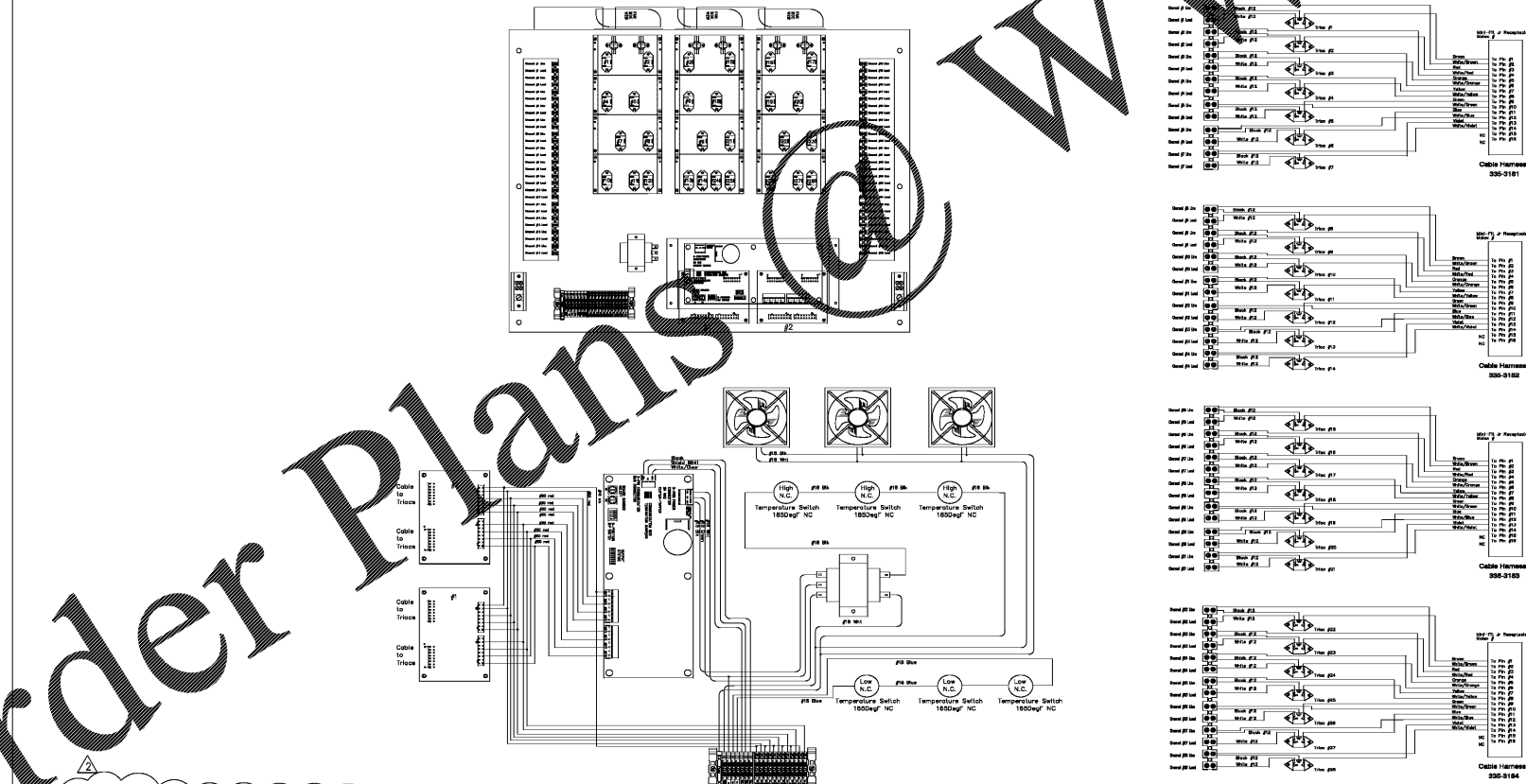
3 OUTDOOR WEATHER STATION -- FOR REFERENCE ONLY SCALE: NONE



4 EINSTEIN CONTROL SYSTEM -- PMAC SINGLE CHANNEL CONTROL MODULE TERMINATION SCALE: NONE

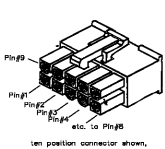
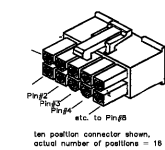
SCALE: NONE

SCALE: NONE



7 EINSTEIN CONTROL SYSTEM -- PMAC II, 28 CHANNEL OEM/FACTORY WIRING DIAGRAM (NO FIELD WIRING SHOWN) SCALE: NONE

8 100 Position Pin Channel	Anti-Spoof Channel Circuit
1	1, 2
2	3, 4
3	5, 6
4	7, 8
5	9, 10
6	11, 12
7	13, 14, 15, 16
8	17, 18, 19, 20



KROGER L-407
CONTROLS
INSTALLATION TEMPLATE

CURRENT PLAN DATE: 01/25/2018

ORIGINAL PLAN DATE: X

DRAWN: MAD CHECKED:

REVISION:

1	7
2	8
3	
4	
5	
6	

STANDARD PLOTTED SCALE:

BUILDING STAFF:

TOTAL SHIFTING:

SALES AREA:

8 1/2" (203.2mm) SQUARE

BASE: STORE

MEZZANINE

DOCK / UTILITY

ENERGY MANAGEMENT
CPC DETAILS

ENRIL PACKAGE ID:

EM-6

CON-NST-TEMP-CMS-ENG



FOR REFERENCE ONLY

ATTENTION DESIGN ENGINEERS:
THIS VENDOR SUPPLIED DRAWING IS PROVIDED FOR REFERENCE ONLY, AND MAY SHOW COMPONENTS THAT ARE NOT USED IN ALL STORES.