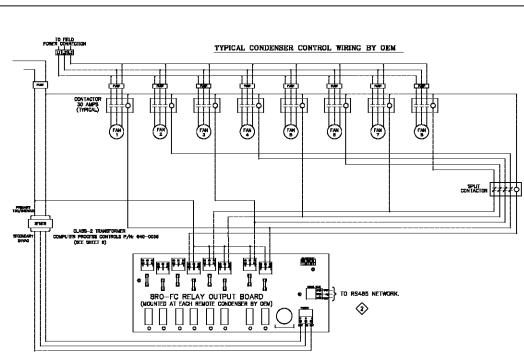


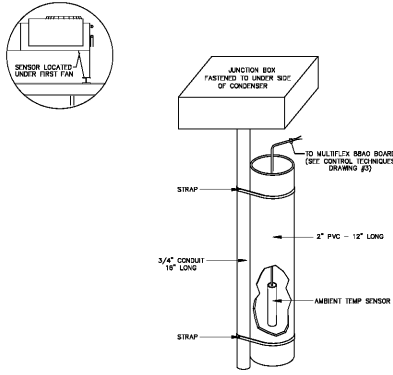
NOTES:
 1. CONTRACTOR TO PROVIDE 3/4" CONDUIT FOR REFRIG LOCAL BUS COMMUNICATION CABLE FROM EACH RACK CONTROLLER TO ASSOCIATED REMOTE CONDENSER.
 2. CONTRACTOR TO INSTALL AND TERMINATE REFRIG REFRIG NETWORK. REFRIG NETWORK SHALL BE SHIRT CHANGED AND TERMINATED AT BOTH ENDS OF NETWORK.

1 EINSTEIN CONTROL SYSTEM -- REFRIG. RACK POWER & RS485 LOCAL BUS WIRING SCALE: NONE

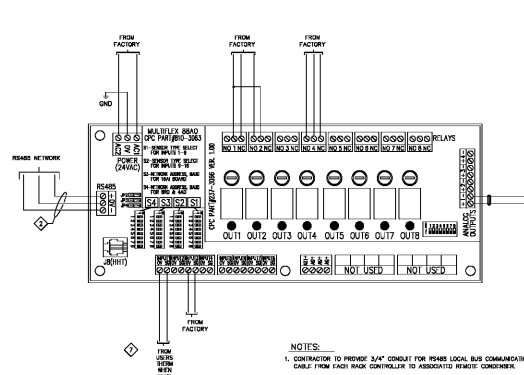


NOTES:
 1. CONTRACTOR TO PROVIDE 3/4" CONDUIT FOR REFRIG LOCAL BUS COMMUNICATION CABLE FROM EACH RACK CONTROLLER TO ASSOCIATED REMOTE CONDENSER.
 2. CONTRACTOR TO INSTALL AND TERMINATE REFRIG REFRIG NETWORK. REFRIG NETWORK SHALL BE SHIRT CHANGED AND TERMINATED AT BOTH ENDS OF NETWORK.

2 EINSTEIN CONTROL SYSTEM -- CONDENSER CONTROL TERMINATION SCALE: NONE

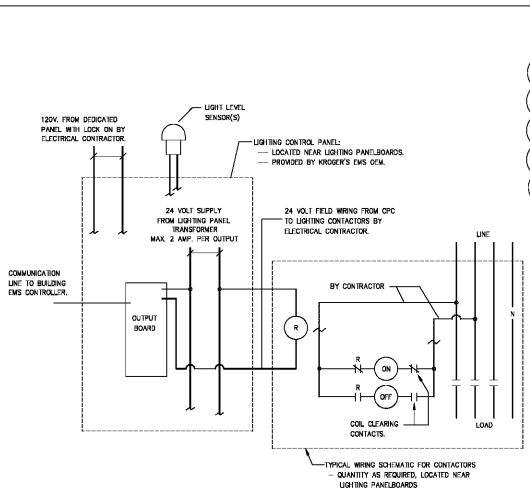


3 AMBIENT TEMPERATURE SENSOR DETAIL SCALE: NONE



NOTES:
 1. CONTRACTOR TO PROVIDE 3/4" CONDUIT FOR REFRIG LOCAL BUS COMMUNICATION CABLE FROM EACH RACK CONTROLLER TO ASSOCIATED REMOTE CONDENSER.
 2. CONTRACTOR TO INSTALL AND TERMINATE REFRIG REFRIG NETWORK. REFRIG NETWORK SHALL BE SHIRT CHANGED AND TERMINATED AT BOTH ENDS OF NETWORK.

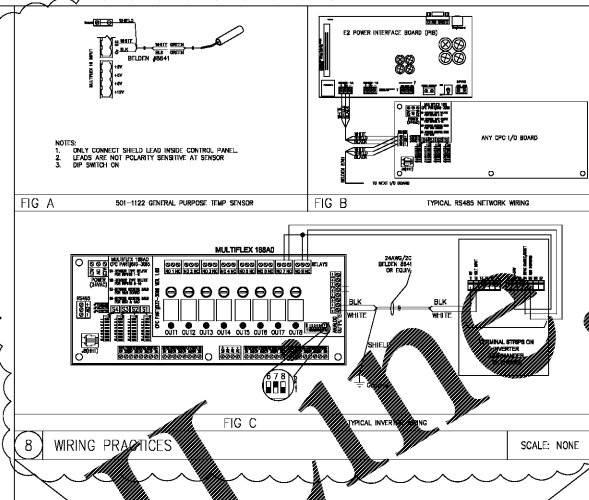
4 TYPICAL 68A0 WIRING AT VSD BYPASS PANEL - INSTALLED BY OEM SCALE: NONE



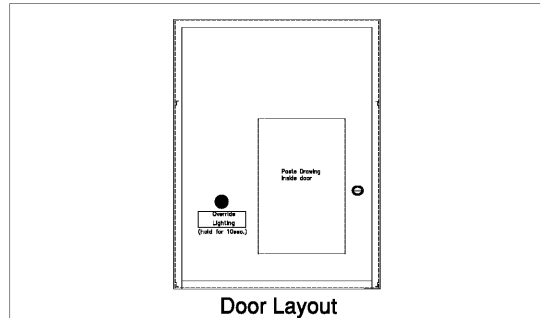
NOTES:
 - BUILDING CONTROLLER CONTROLS LIGHTING LOADS, VA I/O BOARD LOCATED IN THE LIGHTING CONTROL PANEL.
 - BUILDING CONTROLLER INPUTS:
 + OUTDOOR LIGHTING LEVEL SENSOR
 + INDOOR LIGHT LEVEL SENSOR (FOR SKYLIGHT STORES)
 - SEE KROGER LIGHTING TEMPLATES FOR RECOMMENDED CONTROL LOADS.

CONTROL DEVICES:
 R - TWO WIRE CONTROL RELAY OPTION FURNISHED WITH MECHANICALLY HELD CONTACTOR, BY KROGER'S SWITCHGEAR PROVIDER.

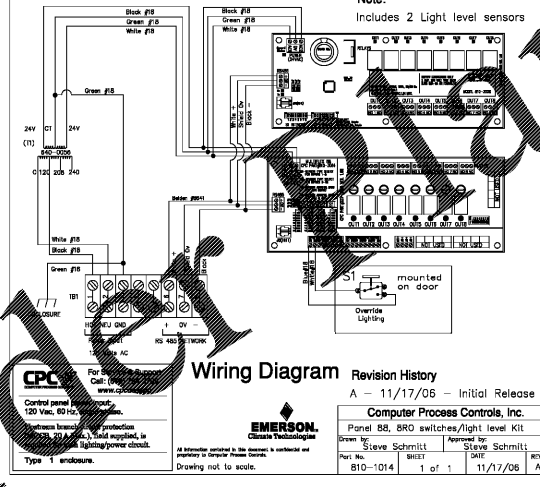
5 EINSTEIN CONTROL SYSTEM -- MF88 LIGHTING CONTROL SCALE: NONE



6 WIRING PRACTICES SCALE: NONE



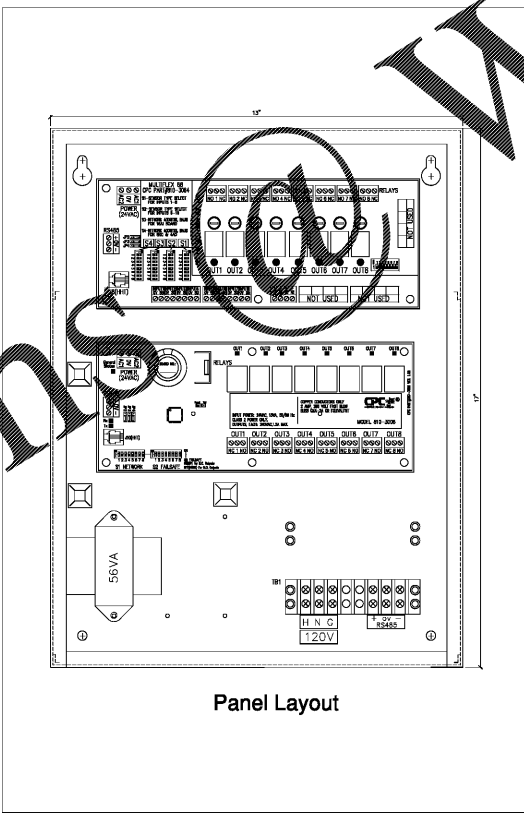
Door Layout



Wiring Diagram

Note:
 Includes 2 Light level sensors

Revision History
 A - 11/17/06 - Initial Release
 Computer Process Controls, Inc.
 Panel 88, 8RO switches/light level Kit
 Drawn: Steve Schmitt Approved: Steve Schmitt
 Part No.: 810-1014 SHEET: 1 of 1 DATE: 11/17/06 REV: A



Panel Layout

6 PANEL 88, 8RO SWITCHES/LIGHT LEVEL KIT SCALE: NONE

FOR REFERENCE ONLY



KROGER L-407
 CONTROLS
 INSTALLATION TEMPLATE

CURRENT PLAN DATE: 01/25/2018
 ORIGINAL PLAN DATE: X
 DRAWN: MAD CHECKED: X
 REVISIONS:

1	7
2	8
3	
4	
5	
6	

STANDARD PLOTTED SCALE:
 BUILDING STATUS:
 TOTAL SHIFTLING:
 SALES AREA:
 # OF STORES/SHOPS:
 BASE STORE:
 MEZZANINE:
 DOCK / UTILITY:

ENERGY MANAGEMENT
 CPC DETAILS
 SHEET PACKAGE ID:
 EM-5
 CON-NST-TEMP-FMS-016

ATTENTION DESIGN ENGINEERS:
 THIS VENDOR SUPPLIED DRAWING IS PROVIDED FOR REFERENCE ONLY, AND MAY SHOW COMPONENTS THAT ARE NOT USED IN ALL STORES.