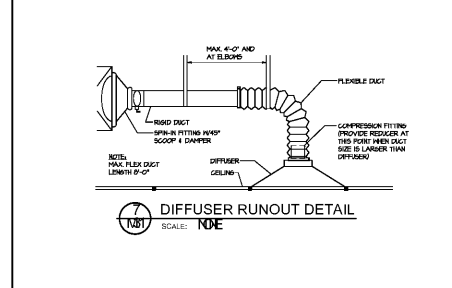
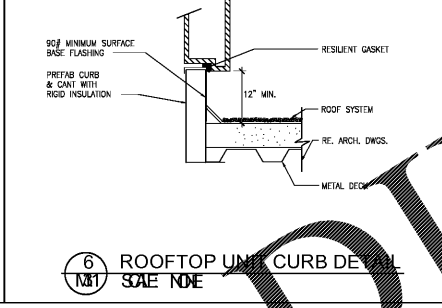
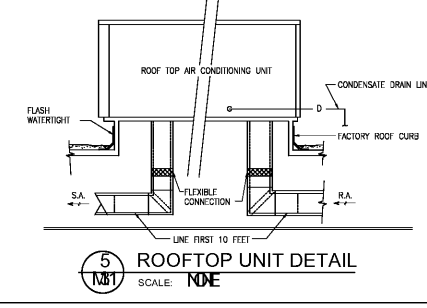
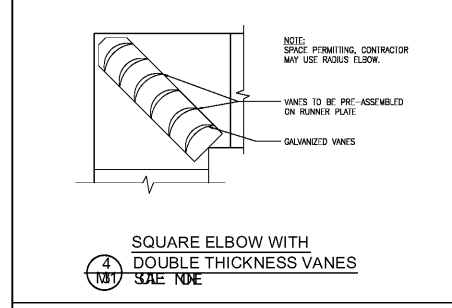
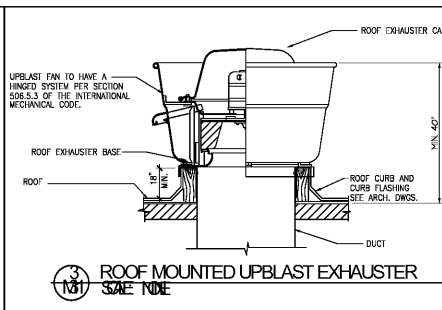
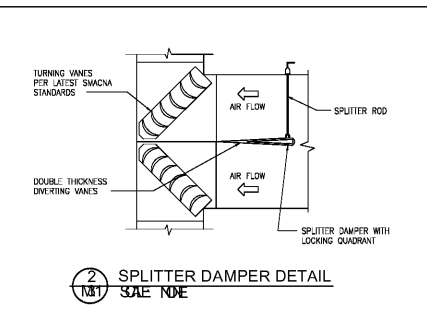
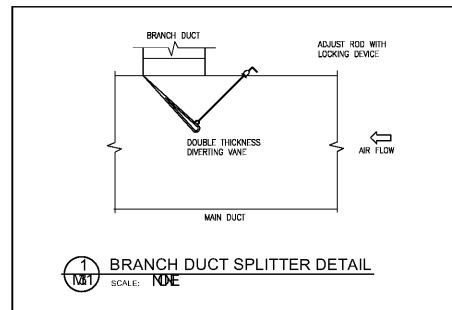


Order Plans

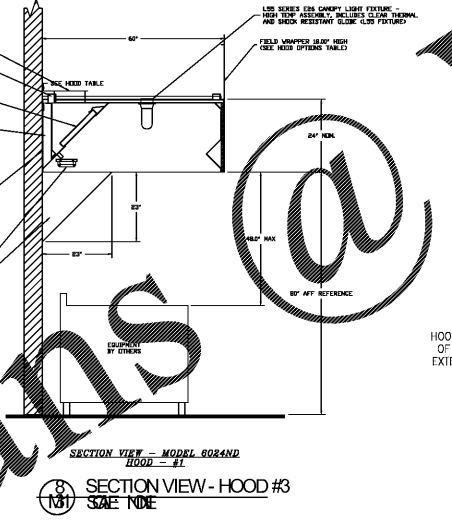
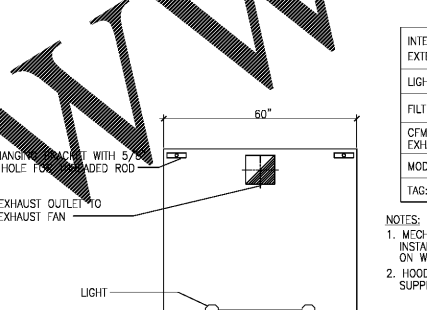


CONTRACTOR TO COORDINATE VOLTAGE AND PHASE OF EACH PIECE OF EQUIPMENT WITH ELECTRICAL CONTRACTOR BEFORE ORDERING EQUIPMENT.

NOTES TO GENERAL CONTRACTOR REGARDING KROGER SUPPLIED, CONTRACTOR INSTALLED EQUIPMENT:

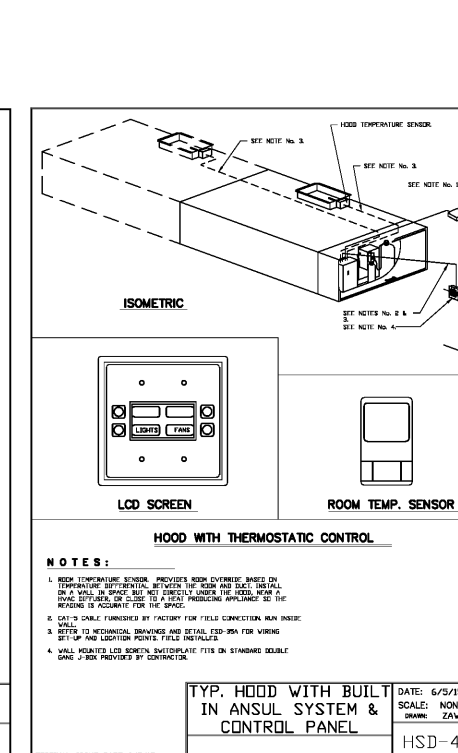
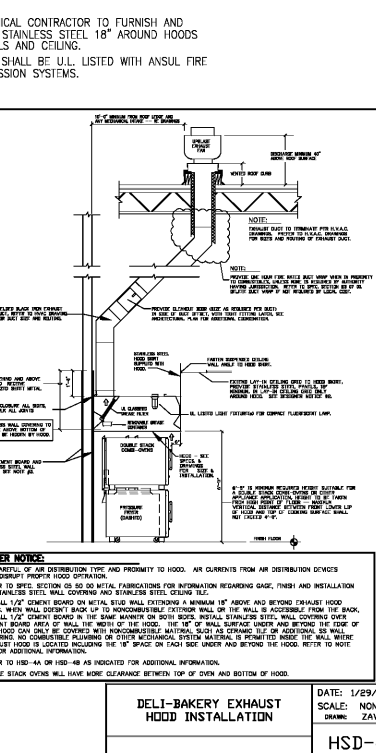
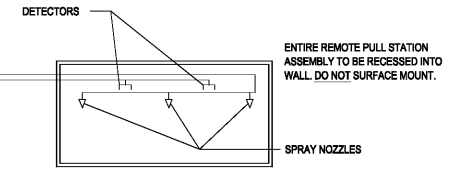
- CONTRACTOR TO OBTAIN APPROVAL OF ANY DESIGN OR MATERIAL CHANGE FROM KROGER PROJECT ENGINEER AND COORDINATE WITH VENDOR.
- CONTRACTOR TO RECEIVE EQUIPMENT FROM INSPECTED AND NOISY VENDOR. KROGER PROJECT ENGINEER OF MISSING AND/OR DAMAGED MATERIALS WITHIN 48 HOURS AFTER DELIVERY (30 DAYS FOR UNCEALED DAMAGE).
- CONTRACTOR TO PROVIDE SAFE HARBORING INSTALLATION, AND REMOVAL OF ANY SEWAGE MATERIALS.
- CONTRACTOR TO HANDLE WARRANTY CLAIMS (PRIOR TO STORAGE) DIRECTLY WITH VENDOR.

- MECHANICAL NOTES**
- ALL MECHANICAL EQUIPMENT SHALL BE INSTALLED IN ACCORDANCE WITH MANUFACTURER'S RECOMMENDATIONS AND LOCAL CODES.
 - ALL DUCTWORK SHALL BE GALVANIZED SHEET METAL AND SHALL BE FABRICATED AND INSTALLED IN ACCORDANCE WITH SMACNA LOW PRESSURE DUCT CONSTRUCTION STANDARDS. DUCT HANGERS AND SUPPORTS SHALL BE IN ACCORDANCE WITH SMACNA RECOMMENDATIONS.
 - INSULATE ALL SUPPLY AND RETURN DUCT WITH SEMI RIGID BONDING FIBERGLASS HAVING A MIN. INSULATION VALUE OF R-6. INSTALL IN ACCORDANCE WITH SMACNA DUCT WRAP APPLICATION STANDARDS. INSTALL DUCT LINER IN THE FIRST 12" OF SUPPLY AND RETURN DUCTS UNLESS OTHERWISE NOTED. ALL EXPOSED SPIRAL SHALL BE DOUBLE WALL WITH LINER WITHIN ALL OUTWORK DIMENSIONS ARE NET INSIDE DIMENSIONS. ALL OUTWORK ELBOWS SHALL BE INSTALLED WITH TURNING VANES. ALL EXTERIOR DUCT SHALL BE DOUBLE WALL WITH LINER WITHIN.
 - INSULATE ALL SUPPLY AND RETURN DUCT WITH SEMI RIGID BONDING FIBERGLASS HAVING A MINIMUM INSULATION VALUE OF R-6.
 - PROVIDE CONDENSATE DRAINS FOR ALL EQUIPMENT REQUIRING THEM. ALL CONDENSATE DRAINAGE PIPING SHALL BE SCHEDULE 40 PAC WITH SOCKET JOINTS USING SOLVENT CEMENT. PIPING SHALL BE RUN FULL SIZE OF CONNECTION AND THE PIPING SHALL HAVE AN ADEQUATE AIR SEAL TRAP AT EACH LINE CONNECTION WITH A VENT DOWNSTREAM OF THE TRAP.
 - THE MECHANICAL DRAWINGS ARE DIAGRAMMATIC AND SHOW THE RELATIONSHIP BETWEEN EQUIPMENT AND CONNECTIONS. DO NOT SCALE THE DRAWINGS FOR EXACT SIZE OR LOCATIONS. BUILDING DIMENSIONS SHALL BE TAKEN FROM ARCH. PLANS AND EQUIPMENT DIMENSIONS SHALL BE TAKEN FROM CERTIFIED EQUIPMENT DATA.
 - IN AIR SYSTEMS GREATER THAN 2000 CFM, SMOKE DETECTORS SHALL BE LOCATED IN THE RETURN AIR STREAM DOWNSTREAM OF THE AIR FILTERS AND AHEAD OF ANY BRANCH CONNECTIONS. UPON ACTIVATION, SMOKE DETECTOR SHALL SHUT DOWN THE FAN AND ACTIVATE A VISUAL AND AUDIBLE SENSORY SIGNAL.
 - ALL FANS OF 2,000 CFM OR MORE SHOULD HAVE A MEANS OF AUTOMATIC SHUTDOWN.
 - ROOFTOP UNITS TO HAVE FACTORY-MOUNTED DISCONNECT SWITCH. MAY HAVE NON-FUSED DISCONNECT SWITCH APPROVED BY LOCAL AUTHORITIES.
 - CONTRACTOR TO COORDINATE VOLTAGE AND PHASE OF EACH PIECE OF EQUIPMENT WITH ELECTRICAL CONTRACTOR BEFORE ORDERING EQUIPMENT.
 - COORDINATE THE LOCATION OF ALL POSITIONS OF THE STRUCTURE WITH ARCHITECTURAL STRUCTURE.
 - EXACT LOCATION OF ALL DIFFUSER LOCATIONS TO BE COORDINATED WITH LIGHTING LAYOUT AND RETURN TO CEILING PANELS.
 - ALL FANS 1/8" H.P. AND ABOVE SHALL HAVE FUSED DISCONNECT SWITCH MOUNTED AT THE FAN, AND ALL FANS 1/2" H.P. AND ABOVE SHALL HAVE FUSED DISCONNECT SWITCH IF APPROVED BY LOCAL AUTHORITIES.
 - COORDINATE WITH KROGER ENGINEER FOR EXACT LOCATION OF CPC CONTROL PANEL.
 - UNITS TO BE CONTROLLED BY CPC ENERGY MANAGEMENT.
 - ALL WORK TO BE MOUNTED TIGHT TO BAR JOISTS UNLESS OTHERWISE NOTED.
 - CONDENSATE DRAIN INSULATION: INSULATE ALL HORIZONTAL CONDENSATE DRAIN PIPING WITHIN THE BUILDING WITH 3/8" WALL THICKNESS ARMALEX TYPE INSULATION.
 - MOUNT THERMOSTATS IN NON-SALES AREAS AT 60° A.F.F. UNLESS OTHERWISE NOTED. SLEAZER THERMOSTATS (EX. PHARMACY) SHALL BE MOUNTED AT 48° A.F.F. TO MEET ADA CODE REQUIREMENTS. THERMOSTATS LOCATED ON AN OUTSIDE WALL SHALL BE MOUNTED ON AN INSULATED BASE.
 - PROVIDE BALANCING DAMPERS AT POINTS ON SUPPLY, RETURN AND EXHAUST SYSTEMS WHERE BRANCHES LEAD FROM LARGE DUCTS AS REQUIRED FOR AIR BALANCING. INSTALL AT A MINIMUM OF TWO DUCT JOISTS FROM BRANCH TAKEOFF.
 - PROVIDE TURNING VANES IN ALL RECTANGULAR 90 DEGREE MITERED ELBOWS.
 - GENERAL CONTRACTOR WILL REIMBURSE KROGER FOR ANY DAMAGE TO EQUIPMENT THAT OCCURS DURING TRANSPORTATION.



HOOD (5'-0")

INTERIOR INTL: 304 STAINLESS STEEL	
EXTERIOR INTL: 304 STAINLESS STEEL	
LIGHTS: (2) COMPACT FLUORESCENT	
FILTERS: ALUM Baffle UL W/ HANDLES	
CFM EXHAUST: 875	CFM SUPPLY: N/A
MODEL: 6024 ND	
TAG: H-3	



ROBERTSON LOIA ROOF ARCHITECTS & ENGINEERS
3480 Preston Highway, Atlanta, Georgia 30305
770-674-1111
Fax: 770-674-9319-0745

THIS REPRODUCTION IS NOT A CERTIFIED DOCUMENT

Kroger L-407 - Remodel
3101 RICHMOND ROAD
LEXINGTON, KY

The Kroger Company
1600 Otmaby Station Court, Louisville, KY 40223

HVAC DETAILS AND NOTES

DATE: 01-25-18
PROJECT NUMBER: 17-125
SHEET NUMBER: M3.1