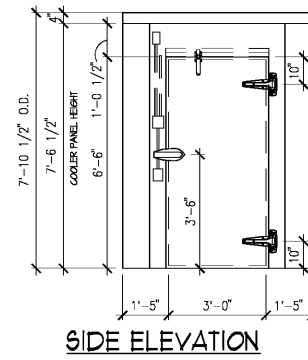
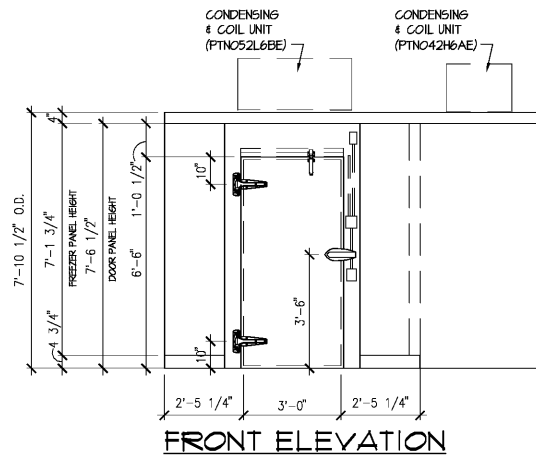
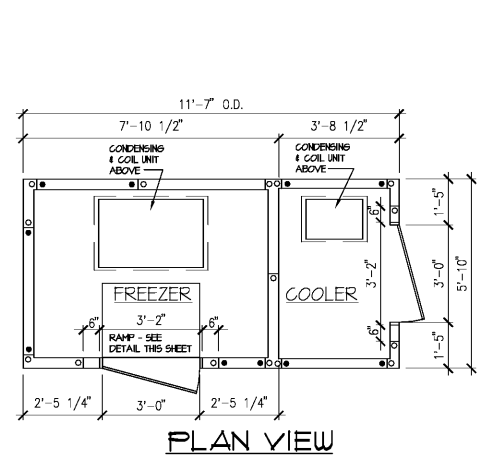


KPS GLOBAL PREFABRICATION
WALK-IN FREEZER/COOLER UNIT



SPECIFICATIONS

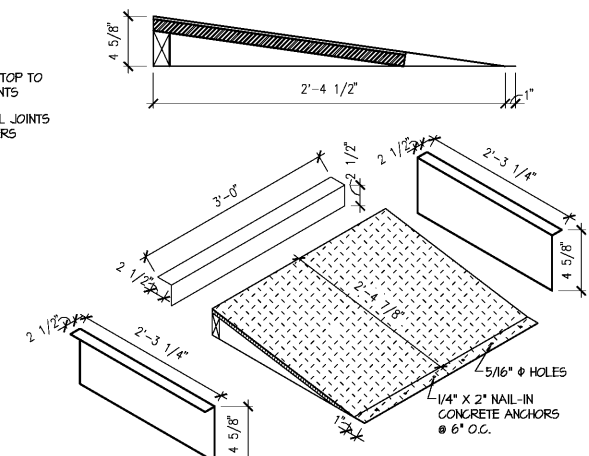
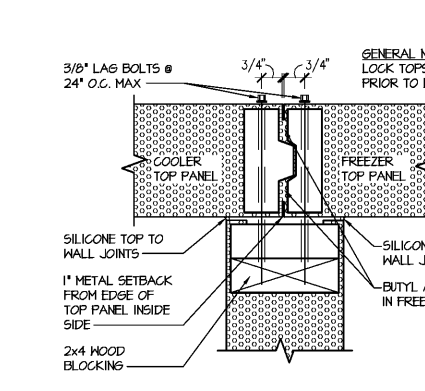
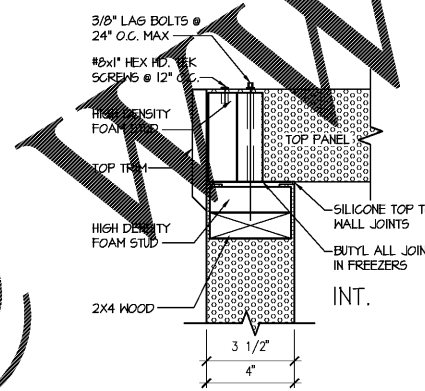
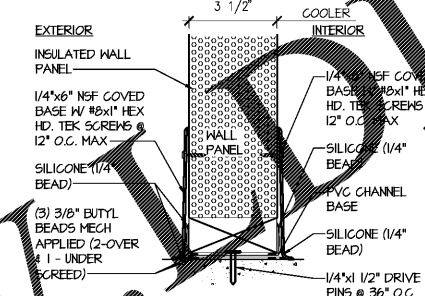
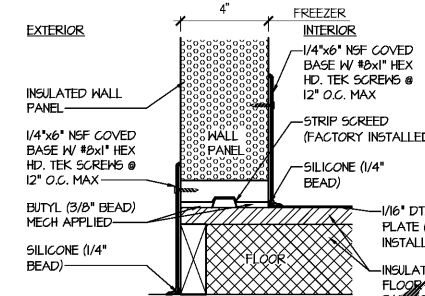
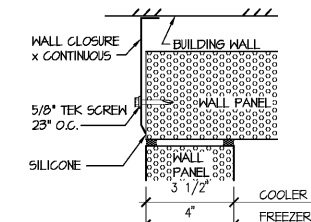
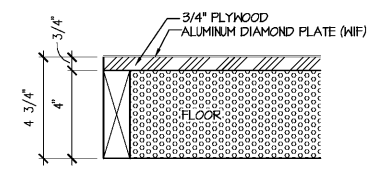
CONSTRUCTION: COOLER: WALLS: 3 1/2" FOAM-FRAME (T & G), POLYURETHANE F-I-P
TOPS: 4" FOAM-FRAME (T & G), POLYURETHANE F-I-P

FREEZER: WALLS: 4" FOAM-FRAME (T & G), POLYURETHANE F-I-P
TOPS: 4" FOAM-FRAME (T & G), POLYURETHANE F-I-P
FLOORS: 4" FOAM-FRAME (T & G), WITH ONE(1) LAYER OF 3/4" PLYWOOD INTERIOR FLOORING

FINISH: 266A STUCCO GALV. STEEL INTERIOR
266A STUCCO GALV. STEEL EXTERIOR
.032 STUCCO ALUMINUM INTERIOR FLOORS WITH .062 ALUMINUM DIAMOND PLATE - (FIELD INSTALLED)
266A STUCCO GALV. STEEL EXTERIOR FLOORING

ACCESSORIES: 1 EA. - 36" X 78" HINGED INFIT, 4" THICK, SELF CLOSING FREEZER DOOR WITH HEATED FRAME (PTN042H6AE), ADJUSTABLE HEATED SHEEP AND MAGNETIC GASKET (266A STUCCO GALV. STEEL INT. & EXT. K-TI W4894, 2-KI261, AND I-KI094) *18 GA. GALV. SHEET
1 EA. - 36" X 78" HINGED INFIT, 4" THICK, SELF CLOSING COOLER DOOR WITH MAGNETIC GASKET AND ADJUSTABLE SHEEP (266A STUCCO GALV. STEEL INT. & EXT. K-TI W4894, 2-KI261, AND I-KI094) *18 GA. GALV. SHEET
1 EA. - 48" X 60" PLASTIC CURTAINS
1 EA. - 48" LED LIGHT FIXTURE SUPPLIED BY ORIGIN RETAIL (MODEL #LD-TL-B040-RX-40F) (SHIP LOOSE)
2 EA. - WEATHER PROOF J-BOX
3 EA. - WIDE J-BOX
4 EA. - SMALL 2X4 J-BOX
2 EA. - WIDE PVC J-BOX (F5CG054240)
1 EA. - HEATED AIR VENT (#1830)
1 EA. - OPENING FOR PRO 3 UNIT (PTN052L6BE)
1 EA. - OPENING FOR PRO 3 UNIT (PTN052L6BE)
1 EA. - INTERIOR RAMP (24 1/2" DEEP WITH 1 3/4" EXTENDED FRONT EDGE, 125 ALUMINUM DIAMOND PLATE, .040 SMOOTH ALUMINUM)
2 EA. - PRE-WIRED HEISS ALARM W/4 1/2 METER PROBE

NOTE: LAG DOWN TOP PANELS (PRE-DRILLED LAG HOLES) PVC SCREED - COOLER PRE-DRILLED HOLES ON FLOOR PLATING UL STICKER (FOAM FRAME) 2-WALL CLOSE OFFS



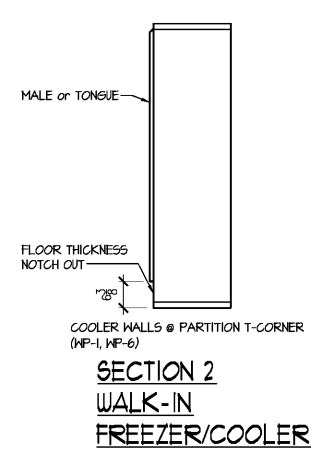
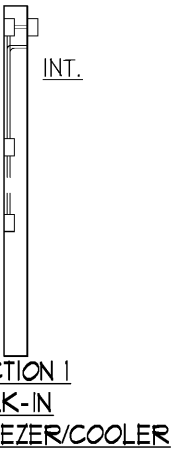
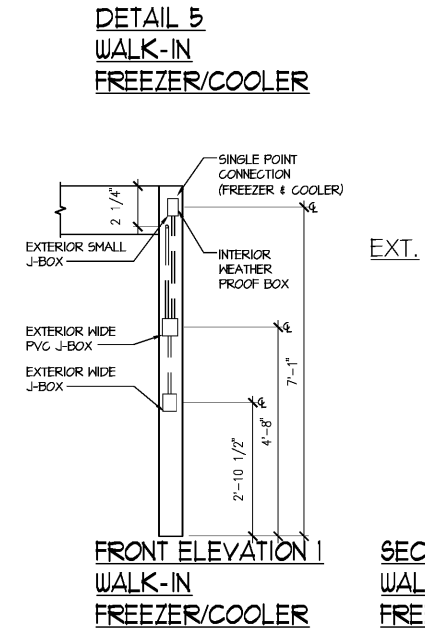
RAMP SCHEDULE

G	INT. / EXT.	SIZE	FINISH	RAMP FINISH	DUE	REMARK
1	INT.	36" X 28 1/2" X 4 5/8"	.050 SMOOTH ALUM.	125 ALUMINUM DIAMOND PLATE		1 - 2 X 4 ADD.

- GENERAL NOTES:
- THE PROPOSED FREEZER/COOLER UNIT SIZE IS INDICATED ON FLOOR PLAN.
 - ALL WALK-IN & MERCHANDISING UNITS ARE SELF-CONTAINED AND DO NOT REQUIRE A FLOOR DRAIN.
 - REFER TO SPECIFICATIONS
 - INSTALLATION OF THESE NSF, ETL & UL LISTED UNITS SHALL COMPLY WITH ALL STATE AND LOCAL CODES PER APPROVED PLANS.
 - MINIMUM DESIGN LOAD UNIFORMLY DISTRIBUTED: TOPS (PSF): 10 WALLS (PSF): 5 FLOORS (PSF): 1000

- GENERAL NOTES:**
- ALL WALK-INS ARE DESIGNED FOR INDOOR APPLICATION UNLESS NOTED OTHERWISE.
 - PENETRATIONS AND SEALING OF PENETRATIONS - ARE THE RESPONSIBILITY OF OTHERS.
 - PROVIDE 6" MINIMUM CLEARANCE AROUND WALK-IN WITH A MINIMUM AIR CIRCULATION OF 5 CFM FOR EVERY 100 SF OF PANEL SURFACE.
 - PANEL LAYOUT MAY CHANGE BASED ON OPTIMAL MANUFACTURING STANDARDS. WALK-IN TOP IS NOT DESIGNED FOR STORAGE UNLESS NOTED OTHERWISE - TOPS ARE DESIGNED FOR 10 PSF UNIFORMLY DISTRIBUTED.
 - QUARRY TILE OR CONCRETE FLOOR APPLICATIONS; METAL PANEL FACINGS MAY BE SUSCEPTIBLE TO STAINING DUE TO EXCESSIVE MOISTURE CREATED BY THE HYDRATION OF CONCRETE TYPE MATERIALS. IT IS ABSOLUTELY NECESSARY THAT EACH ROOM BE PROPERLY VENTILATED. SPECIAL PRECAUTIONS MUST ALSO BE TAKEN WHEN USING MURIATIC ACID DUE TO EFFECTS HYDROCHLORIC FUMES HAVE ON METAL MATERIALS.

- IF CONDENSING UNIT IS LOCATED IN THE INTERIOR OF BUILDING A MINIMUM OF 24" OF CLEARANCE IS REQUIRED AROUND TOP AND SIDES.
- FLOOR, CURB, AND FIT DETAILS ARE FOR GENERAL REFERENCE ONLY. THESE DRAWINGS SHOULD NOT BE USED OR INCORPORATED IN THE DESIGN OR PREPARATION OF THE INSULATED FLOOR, SUB-SLAB OR CURBS, WITHOUT HAVING THE DESIGN REVIEWED BY A QUALIFIED ENGINEER. ALL FOOTINGS, FOUNDATION WALLS AND CONCRETE WEAR SLABS ARE THE RESPONSIBILITY OF THE BUILDING ENGINEER OR ARCHITECT.
- THE FOAM PLASTIC USED IN THIS PRODUCT COMPLIES TO THE IBC SECTION 2603 AS FOLLOWS: FLAME SPREAD RATING: 15, SMOKE DEVELOPED RATING: 350 REFER TO INSTALLATION INSTRUCTIONS FOR ASSURING UNIT IS INSTALLED LEVEL AND PLUMB; DOOR OPENINGS ARE SQUARED; AND FOR LOCK-DOWN TOPS/FLOORS PANEL ASSEMBLY DIRECTIONS.
- ANY UNITS RUNNING AT 32 DEG. AND BELOW REQUIRE BUTYL AT ALL JOINTS - TOPS TO TOPS; WALLS TO WALLS; FLOORS TO FLOORS; WALLS TO TOPS; WALLS TO FLOORS - AS PANELS ARE ASSEMBLED. BUTYL MUST NOT BE EXPOSED.



LEIDA Guangzhou LEDIA Lighting Technology Co., Ltd.
Tel: +86 20 3719 8880 | Email: sales@ledia.com.cn
Factory address: No. 2, Xian Fei 1st Road, Huzhou Town, Huadu Dist., Guangzhou, China

Specification

LED Vapor Tight Light

Item No.	LD-TL-8024
	LD-TL-8030
	LD-TL-8036
	LD-TL-8050

NOTES:
1. This specification for our regular product specifications.
2. The right of Real interpretation of this specification to Guangzhou LEDIA Lighting Technology Co., Ltd.

FC ETL

Copyright © 2015 Guangzhou LEDIA Lighting Technology Co., Ltd. All rights reserved.
Version 1.1 Issuing Date: 2015.08.31 (week/month/year) Page 2 of 9

LEIDA Guangzhou LEDIA Lighting Technology Co., Ltd.
Tel: +86 20 3719 8880 | Email: sales@ledia.com.cn
Factory address: No. 2, Xian Fei 1st Road, Huzhou Town, Huadu Dist., Guangzhou, China

Specification

Model	Power (W)	Beam Angle	Color Temperature (K)	Life Span (hrs)	Material
LD-TL-8024	10	60°	3000K	50000	Aluminum
LD-TL-8030	15	60°	3000K	50000	Aluminum
LD-TL-8036	20	60°	3000K	50000	Aluminum
LD-TL-8050	30	60°	3000K	50000	Aluminum

Copyright © 2015 Guangzhou LEDIA Lighting Technology Co., Ltd. All rights reserved.
Version 1.1 Issuing Date: 2015.08.31 (week/month/year) Page 2 of 9

Order Plans @

description
by
mark
date
revisions

06/04/19
30/05
RKK
RKK
RKK
RKK
RKK
RKK

date
project
designed
drawn
checked

CASCO
SALEM BROS. & SONS
5711 LANSING AVE
ANN ARBOR, MI 48106
PROJECT MANAGERS

PROFESSIONAL OF RECORD

FOR INFORMATION ONLY
NO SIGNATURE
REQUIRED

FIGURE 314-241-1000

DOLLAR TREE
SALEM BROS. & SONS
5711 LANSING AVE, SALEM, MO 65660
WALK-IN DETAILS AND SPECIFICATION

project
drawing

D52

FOR REFERENCE ONLY