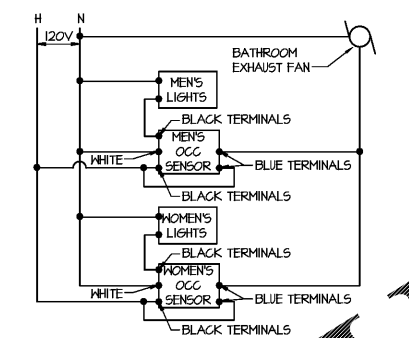


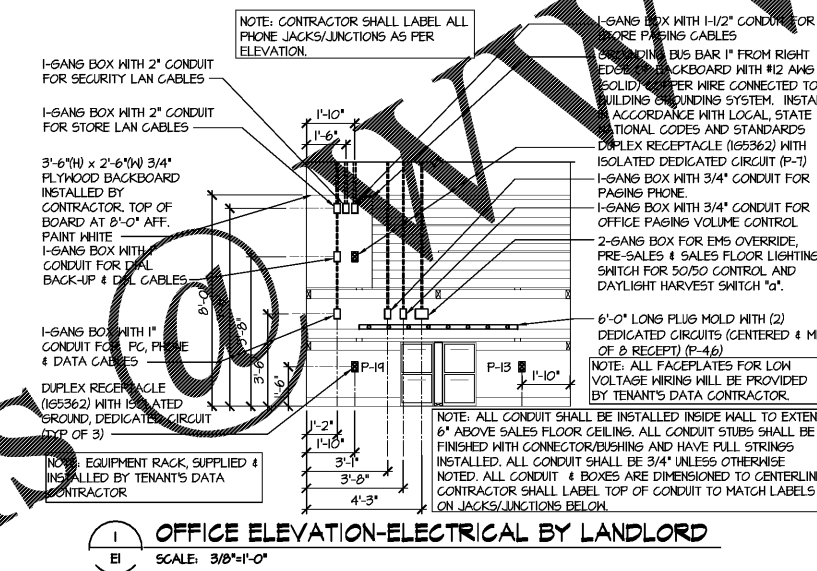
EMPLOYEE ROOM DESK ELEVATION BY LANDLORD
SCALE: NONE



SCHEMATIC DIAGRAM: BATHROOM OCCUPANCY SENSOR
SCALE: NONE

FLOOR PLAN
SCALE: 1/8"=1'-0"

NOTES	MDP PANEL	277/480	3-PHASE, 4W	225A	LUGS: MCB	MOUNT: SURFACE	INT CAP: EXISTING	NOTES
	LOAD TYPE	CONNECTED	DEMAND	DEMAND FORMULA	TOTAL LOAD	CONNECTED	DEMAND	
	LIGHTING	0.0 KVA	0.0 KVA	LOAD X 125% NEC 210.19 CONTINUOUS	0.0 KVA	0.0 KVA	0.0 KVA	
	RECEPTACLES	0.4 KVA	0.4 KVA	100KVA X 50% REMAINDER NEC 220.54	0.4 KVA	0.4 KVA	0.4 KVA	
	HVAC	0.0 KVA	0.0 KVA	LOAD X 100%	0.0 KVA	0.0 KVA	0.0 KVA	
	MISCELLANEOUS	17.7 KVA	17.7 KVA	LOAD X 100% NEC 210.19 NON-CONT	17.7 KVA	17.7 KVA	17.7 KVA	
	NP	0.0 KVA	0.0 KVA	NEC 220.50 NONCONCURRENT LOADS	0.0 KVA	0.0 KVA	0.0 KVA	



OFFICE ELEVATION-ELECTRICAL BY LANDLORD
SCALE: 3/8"=1'-0"

GENERAL ELECTRICAL NOTES

- ALL WORK SHALL BE COMPLETED IN ACCORDANCE WITH THE NATIONAL ELECTRICAL CODE AND ALL APPLICABLE STATE AND LOCAL CODES AND ADA LAWS.
- ALL WIRING SHALL BE IN EMT CONDUIT, UNLESS OTHERWISE NOTED. ALL CONDUIT SHALL BE RUN CONCEALED EXCEPT WHERE APPROVED BY TENANT. ALL WIRE SHALL BE COPPER #12 MINIMUM AND LARGER AS NOTED. TYPE THHN 600V INSULATED. PROVIDE GREEN INSULATED GROUND CONDUCTOR WITH ALL BRANCH CIRCUITS.
- EXISTING RECEPTACLES IN SALES AREA TO REMAIN. PROVIDE ADDITIONAL RECEPTACLES AS REQUIRED BY THE PLAN.
- PROVIDE BREAKER LOCKS ON ALL SIGN CIRCUITS, DEDICATED RECEPTACLES IN THE OFFICE AND AT THE CHECKOUT, FOR THE ALARM AND NIGHT LIGHTS. SIGN CIRCUITS SHALL BE GROUNDING.
- ELECTRICAL CONTRACTOR SHALL COORDINATE FINAL JUNCTION BOX LOCATIONS WITH SIGN VENDOR. JUNCTION BOXES SHALL BE WITHIN 5'-0" OF SIGN FOR SIGN VENDOR TO MAKE FINAL ELECTRICAL CONNECTION.
- ADD CIRCUIT BREAKERS AS REQUIRED. VERIFY SPACE AVAILABLE FOR NEW CIRCUITS. NEW BREAKERS SHALL MATCH EXISTING MANUFACTURER STYLE AND RATINGS REQUIRED TO MAINTAIN PANEL BOARD RATINGS.
- CONTRACTOR SHALL EXTEND ALL EXISTING RECEPTACLES ON SALES FLOOR TO BASE DECK AT TENANT'S SALES FLOOR FIXTURES.
- CONTRACTOR SHALL REFER TO EMS SHEETS FOR INSTRUCTIONS & RESPONSIBILITIES FOR INSTALLING TENANT SUPPLIED ENERGY MANAGEMENT SYSTEM PRIOR TO BIDDING AND INSTALLATION.
- THE GENERAL CONTRACTOR AND ELECTRICAL CONTRACTOR SHALL COORDINATE WITH THE SIGN VENDOR FOR ANY ADDITIONAL EXTERIOR SIGNAGE AND THE ASSOCIATED ELECTRICAL REQUIREMENTS. AFTER THE ELECTRICAL DESIGN IS COMPLETE, IT MAY BE DETERMINED THAT CERTAIN SITES REQUIRE SIDE OR REAR SIGNAGE.
- CONTRACTOR SHALL SUPPLY AND INSTALL CONTACT FLUORESCENT LIGHT (CFL) BULBS IN EACH LANE LIGHT AT CHECKOUTS, (2) PER LANE LIGHT. CFL'S SHALL BE 13 WATT (EQUIVALENT TO 60 WATT INCANDESCENT BULB). BALLASTED SCREEN IN LAMP WITH STANDARD BAY, HEXAGONAL LAMP SHAPE, NON-DIMMABLE AND AN AVERAGE LIFE OF 10,000 HOURS.
- ALL LIGHT FIXTURES TO HAVE T-8 BULBS AND ELECTRONIC BALLASTS. REFER TO GENERAL ELECTRICAL NOTES ON SHEET C61 FOR TENANT'S EXHIBIT C.
- ALL OCCUPANCY SENSORS AND POWER POLE JUNCTION BOXES ARE APPLIED BY LANDLORD FOR LANDLORD CONTRACTOR'S INSTALLATION.
- STOCKROOM LIGHTS ARE MOUNTED AT 8'-0" AFF.
- THE LANDLORD ELECTRICAL SHALL INSTALL ADDITIONAL WIRE TIE SUPPORTS FROM THE CEILING SPACE TO THE STRUCTURE FOR SUPPORT OF THE LIGHT FIXTURES CLIPPED TO THE GRID.

POWER PLAN KEYED NOTES

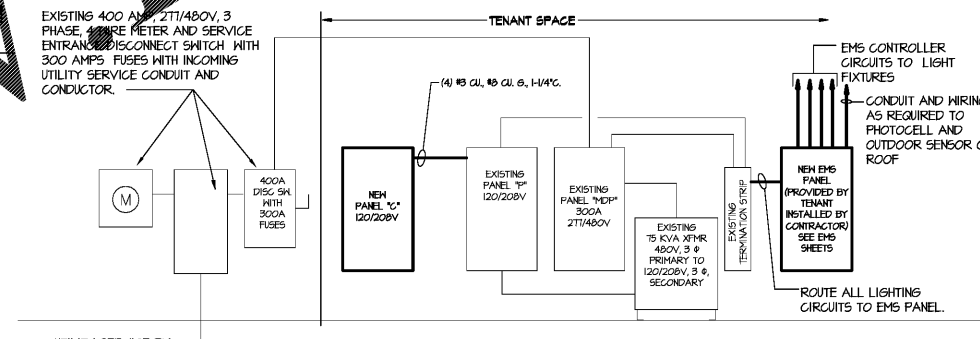
- DUPLEX OUTLET MOUNTED IN CEILING TILE.
- TELEPHONE POLE PROVIDED WITH CHECKOUT. THREE-CHANNEL TELEPHONE POLE WITH DIVIDER FOR TELEPHONE/DATA, ISOLATED POWER, AND NORMAL POWER. INSTALL TELEPHONE POLE AS SHOWN AT CHECKOUT AREA, WHEN COUNTER IS SET. POWER POLE WILL BE PROVIDED BY TENANT WITH 1 ISOLATED GROUND THIS LOCK RECEPTACLE (CONNECT ISOLATED GROUND CIRCUIT TO THIS RECEPTACLE) AND ONE DUPLEX RECEPTACLE (CONNECT (ONE) NORMAL POWER CIRCUIT TO THIS RECEPTACLE).
- S.C. SHALL PROVIDE NEW 4X4 JUNCTION BOX, SURFACE MOUNTED 120" AFF. TO TOP OF BOX, CENTERED ON THE WALK-IN FREEZER/COOLER UNIT. ALL THREE CIRCUITS WILL TERMINATE AT THIS JUNCTION BOX. PROVIDE 10' LONG WHIP FROM BOX FOR CONNECTION TO EQUIPMENT. THE FREEZER/COOLER CONTRACTOR SHALL BE RESPONSIBLE FOR THE REMAINING WORK CONNECTING TO THE UNIT.
- CONTRACTOR SHALL INSTALL (4) #12 AND (1) #10 COMMON GROUND IN 3/4" CONDUIT FROM PANEL BOARD TO THE WALK-IN FREEZER/COOLER UNIT. JUNCTION BOX, INDIVIDUAL CIRCUITS ARE AS FOLLOWS: COOLER AND FREEZER COOLER LIGHTS; C-46 FREEZER. PROVIDE LOCAL DISCONNECT FOR EACH LOAD AT J-BOX ABOVE WALK-IN UNIT.
- CONTRACTOR SHALL INSTALL ALL OCCUPANCY SENSOR AND RECONNECT EXISTING LIGHTING AND EQUIPMENT PER DETAIL 2/E1.

ELECTRICAL SYMBOLS

- (N) ALL SYMBOLS ARE NECESSARILY USED ON DRAWINGS)
- MISCELLANEOUS
- VISION MARK
- POWER POLE PROVIDED BY CONTRACTOR
- POWER AND CONTROL
- ELECTRICAL PANEL
- EMS PANEL
- HUBBELL 165362 DUPLEX RECEPTACLE (ORANGE)
- DUPLEX RECEPTACLE 20 AMP, 125 VOLT (WHITE) MOUNTED AT 18" AFF UNLESS OTHERWISE NOTED.
- EXISTING DUPLEX RECEPTACLE. CONTRACTOR SHALL EXTENDED EXISTING CIRCUIT TO FIXTURE GONDOLA AND MAKE FINAL CONNECTIONS.
- JUNCTION BOX
- WALL MOUNTED OCCUPANCY SENSOR. SEE DETAIL 2/E1 FOR CONTROL OF TOILET LIGHTING AND FAN.

RISER LEGEND

- LIGHT LINE TYPE INDICATES EXISTING EQUIPMENT TO REMAIN
- SOLID HEAVY LINE TYPE INDICATES NEW EQUIPMENT TO BE INSTALLED



ELECTRICAL RISER DIAGRAM
SCALE: NO SCALE

RISER DIAGRAM NOTES

- INFORMATION ON THE ELECTRICAL SERVICE ENTRANCE IS BASED ON THE INFORMATION RECEIVED AT THE TIME OF DESIGN FOR THIS PROJECT. EXACT INFORMATION HAS NOT AVAILABLE. CONTRACTOR SHALL VERIFY ELECTRICAL SERVICE AND ALL EQUIPMENT AGAINST THE DESIGN AND REPORT ANY DISCREPANCIES THAT CAN NOT BE RESOLVED IN THE FIELD, TO THE ENGINEER FOR FURTHER INSTRUCTION AND/OR POSSIBLE REDESIGN OF AFFECTED ITEMS.
- LOCATE PANEL BOARDS IN EXCLUSIVELY DEDICATED SPACES ADJACENT TO EXISTING PANELS IN ACCORDANCE WITH NEC 110.26 PLUS UNUSED OPENINGS. DO NOT USE RISER DIAGRAM TO LOCATE EQUIPMENT. REFER TO POWER PLAN FOR LOCATIONS. PLUS UNUSED OPENINGS IN PANEL BOARDS TO BE PROVIDED BY TENANT FOR THE PROJECT.
- FOR INTERIOR PANELS CONTRACTOR SHALL CONTACT PETER COLON 508-684-2281 FOR EQUIPMENT TO BE PROVIDED BY TENANT FOR THE PROJECT.
- CONTRACTOR SHALL PROVIDE ALL OTHER EQUIPMENT INCLUDING EXTERIOR CABINETS, DISCONNECTS, METERS, WIRING, CONDUIT AND WIRE NEEDED FOR COMPLETE SYSTEM. CONTRACTOR SHALL PROVIDE ALL CONDUIT, WIRE, MISCELLANEOUS ITEMS AND HARDWARE, ETC., FOR A COMPLETE AND OPERATIONAL SYSTEM.

NOTES	P PANEL	120/208	3-PHASE, 4W	225A	LUGS: MCB	MOUNT: SURFACE	INT CAP: EXISTING	NOTES
	LOAD TYPE	CONNECTED	DEMAND	DEMAND FORMULA	TOTAL LOAD	CONNECTED	DEMAND	
	LIGHTING	0.0 KVA	0.0 KVA	LOAD X 125% NEC 210.19 CONTINUOUS	0.0 KVA	0.0 KVA	0.0 KVA	
	RECEPTACLES	0.4 KVA	0.4 KVA	100KVA X 50% REMAINDER NEC 220.54	0.4 KVA	0.4 KVA	0.4 KVA	
	HVAC	0.0 KVA	0.0 KVA	LOAD X 100%	0.0 KVA	0.0 KVA	0.0 KVA	
	MISCELLANEOUS	17.7 KVA	17.7 KVA	LOAD X 100% NEC 210.19 NON-CONT	17.7 KVA	17.7 KVA	17.7 KVA	
	NP	0.0 KVA	0.0 KVA	NEC 220.50 NONCONCURRENT LOADS	0.0 KVA	0.0 KVA	0.0 KVA	

NOTES	C PANEL	120/208	3-PHASE, 4W	100A	LUGS: MLO	MOUNT: SURFACE	INT CAP: 10KA	NOTES
	LOAD TYPE	CONNECTED	DEMAND	DEMAND FORMULA	TOTAL LOAD	CONNECTED	DEMAND	
	LIGHTING	0.0 KVA	0.0 KVA	LOAD X 125% NEC 210.19 CONTINUOUS	0.0 KVA	0.0 KVA	0.0 KVA	
	RECEPTACLES	0.0 KVA	0.0 KVA	100KVA X 50% REMAINDER NEC 220.54	0.0 KVA	0.0 KVA	0.0 KVA	
	HVAC	0.0 KVA	0.0 KVA	LOAD X 80% (USED MCA IN CALCULATION)	0.0 KVA	0.0 KVA	0.0 KVA	
	MISCELLANEOUS	17.2 KVA	17.2 KVA	LOAD X 100% NEC 210.19 NON-CONT	17.2 KVA	17.2 KVA	17.2 KVA	
	NP	0.0 KVA	0.0 KVA	NEC 220.50 NONCONCURRENT LOADS	0.0 KVA	0.0 KVA	0.0 KVA	

PLAN MARK	EQUIPMENT SERVED	LOAD	VOLT / PHASE	FED BY	MCA	MOCPD	FEEDER	REMARKS
4-DR-RI	REACH-IN 4-DR FREEZER	6.83KVA	208/120 / 1	C 28.5A	40A	(3)WJ#110G 3/4"C		
3-DR-RI	REACH-IN 3-DR FREEZER	4.53KVA	208/120 / 1	C 21.8A	25A	(3)WJ#110G 1/2"C		
1-DR-RI	REACH-IN 1-DR COOLER	1.75KVA	120/1	C 14.6A	20A	(2)WJ#12G 1/2"C		
W-IN	WALK-IN FREEZER	3.78KVA	208/1	C 18.1A	20A	(2)WJ#12G 1/2"C		
W-IN	WALK-IN COOLER	1.37KVA	120/1	C 11.4A	15A	(2)WJ#12G 1/2"C		

SERVICE CALC	277/480	3-PHASE, 4W	LOAD SUMMARY IS BASED ON ESTIMATE. ACTUAL DESIGN BY LANDLORD.
LOAD TYPE	WATT PER SQUARE FOOT	9.251 SF	LOAD
LIGHTING	3 W/SF	NEC TABLE 220.12	28 KVA
RECEPTACLES	1 W/SF	ESTIMATED	9 KVA
HVAC	7 W/SF	BASED ON HISTORIC DESIGN	88 KVA
TOTAL ESTIMATED LOAD 134 KVA			
LOADS FROM PANELS			
LOAD TYPE	CONNECTED	DEMAND	DEMAND FORMULA
LIGHTING	0.0 KVA	0.0 KVA	LOAD X 125% NEC 210.19 CONTINUOUS
RECEPTACLES	0.4 KVA	0.4 KVA	100KVA X 50% REMAINDER NEC 220.54
HVAC	0.0 KVA	0.0 KVA	LOAD X 80% (USED MCA IN CALCULATION)
MISC	17.7 KVA	17.7 KVA	LOAD X 100% NEC 210.19 NON-CONT
NP	0.0 KVA	0.0 KVA	NEC 220.50 NONCONCURRENT LOADS
TOTAL (PANELS)	119.9 KVA	119.9 KVA	FILENAME: 518455 LOADS.X1m
TOTAL LOAD	144A	144A	

OWNER CHANGES	description
1556	by
01/01/16	date
01/01/16	mark
01/01/16	revisions
date	project
designed	drawn
checked	checked

CASCO
CORPORATION
ENGINEERING FIRM
LICENSE #000615
EXPIRES 12/31/14

PROJECT MANAGERS

JOSEPH A. CARTER
P.E. # 00000000
REGISTERED PROFESSIONAL ENGINEER
LICENSE #000615
EXPIRES 12/31/14

DOLLAR TREE
SALEM, BT'S
151 SCENIC RIVERS BLVD., SALEM, MO 65660

project drawing

ELECTRICAL FLOOR PLAN SCHEDULES, DETAILS AND NOTES