



CONSULTANT:

SEAL: HENRY D MONTAGUE, PE 78172

THIS DRAWING SHALL NOT BE USED FOR CONSTRUCTION PURPOSES UNTIL THE SEAL AND SIGNATURE OF THE RESPONSIBLE REGISTRANT APPEARS ON THE DRAWING, AND PROPER PERMIT FORMS AND RELATED FEES ARE TRANSMITTED BY THE OWNER, OWNER'S AGENT OR CONTRACTOR TO THE AUTHORITY HAVING JURISDICTION.

DATE	ISSUED FOR	REV
10/12/2017	PLANNING SUBMITTAL	
10/27/2017	PEMB COORDINATION	
12/15/2017	PLANNING RE-SUBMITTAL	
12/15/2017	PERMIT	

Project Manager B. COLBURN	Drawn N. NGUYEN
Project Leader B. COLBURN	Checked M. GOOD
Date 10/01/2017	Dept Mgr Approval M. GOOD

Client
Palmetto NFM - Hancock Bridge PKWY, LLC.
P.O. BOX 1615
THOMASVILLE, GA 31792
Office: (863) 808-1320
Contact: Jeff Lazenby

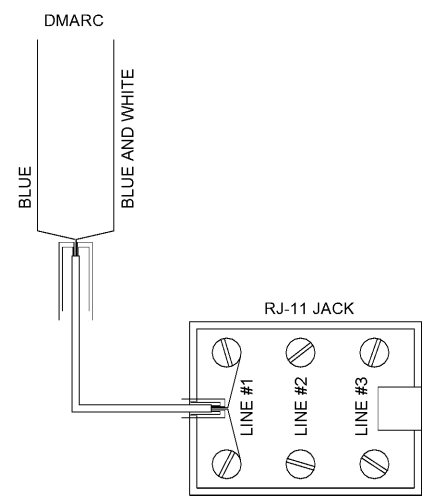
Project
DOLLAR GENERAL
4055 Hancock Bridge Parkway
North Fort Myers (Lee County), FL
Section 9, Township 44S., Range 24E.

Drawing Title

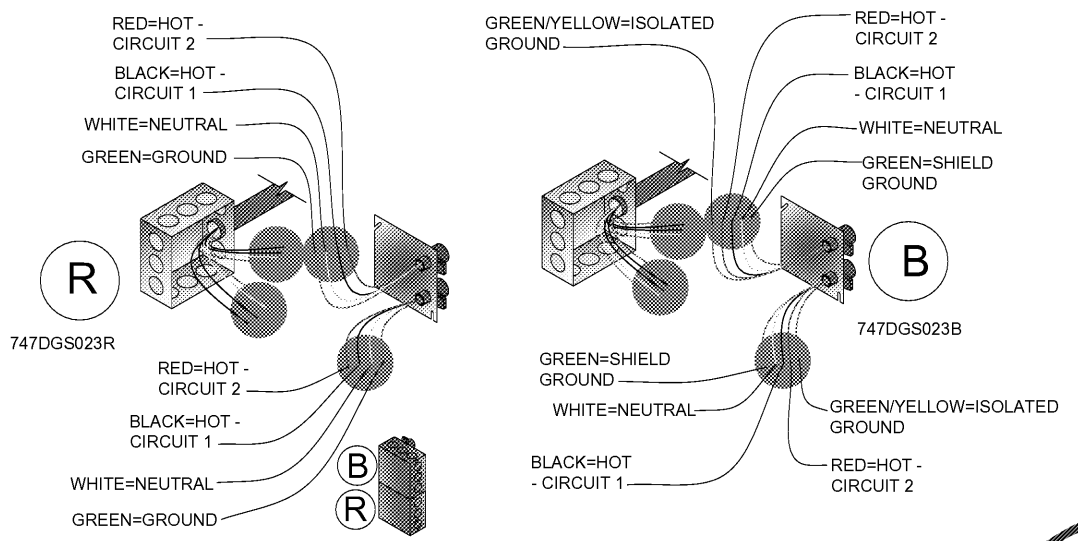
POWER POLE AND POWER TERMINAL DETAILS

DO NOT SCALE DRAWING

Project No. JCDT17.0313.00	Drawing No. E4
--------------------------------------	--------------------------



1 PHONE WIRING FOR REGISTER
Scale: NTS

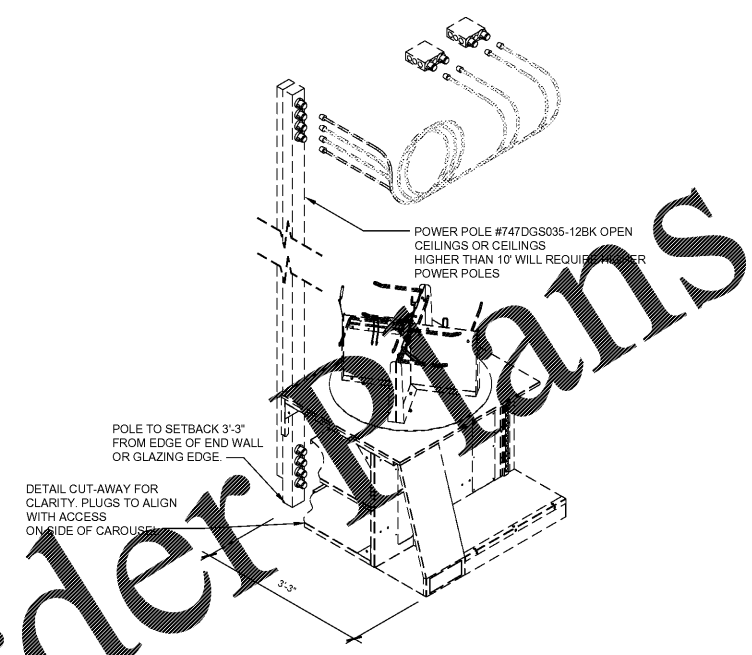


*NOTE: BEFORE ORDERING AND INSTALLATION OF ELECTRICAL COMPONENTS FOR REGISTERS, CONSULT FINAL FIXTURE PLAN FOR NUMBER AND LOCATION.

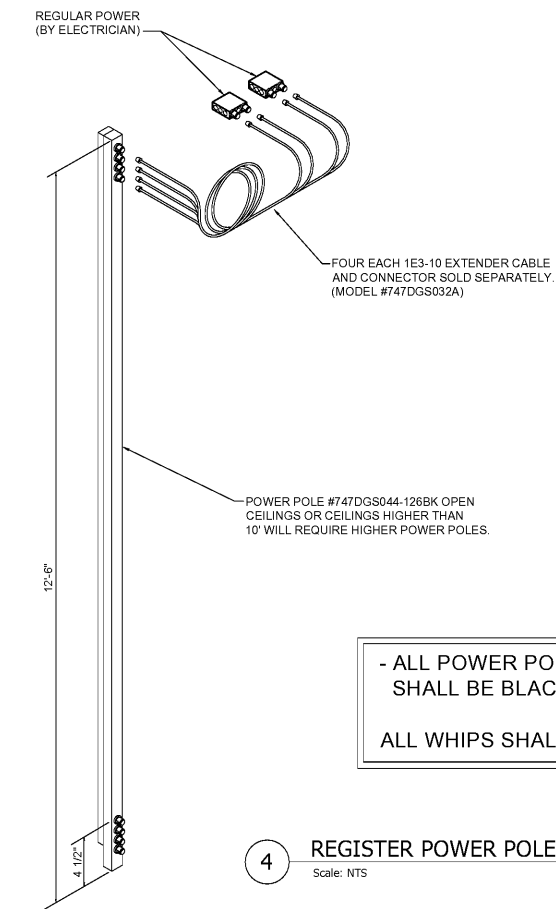
MAXIMUM CIRCUITS FOR REGISTERS -
CIRCUITS AT MAIN REGISTER - (9) 120V
CIRCUITS AT ISLAND REGISTER - (3) 120V

REGISTER ELECTRICAL COMPONENTS			
Qty.	D&P Part No.	Power Pole Description	Additional Account Provider
1	747DGS023R	Dual circuit power kit w/ isolated ground	D & P
1	747DGS023B	Dual circuit power kit	D & P
1	747DGS044-126BK	12' 2" CH regular power w/2-C and connector DRW #2004-12	
1	747DGS044-126BK	10' Whip kit (Set of 4 whips)	

REGISTER ELECTRICAL DETAIL
Scale: NTS



3 CASH REGISTER DETAIL
Scale: NTS



4 REGISTER POWER POLE
Scale: NTS

Order Evans @ WWW.LDILLINE.COM