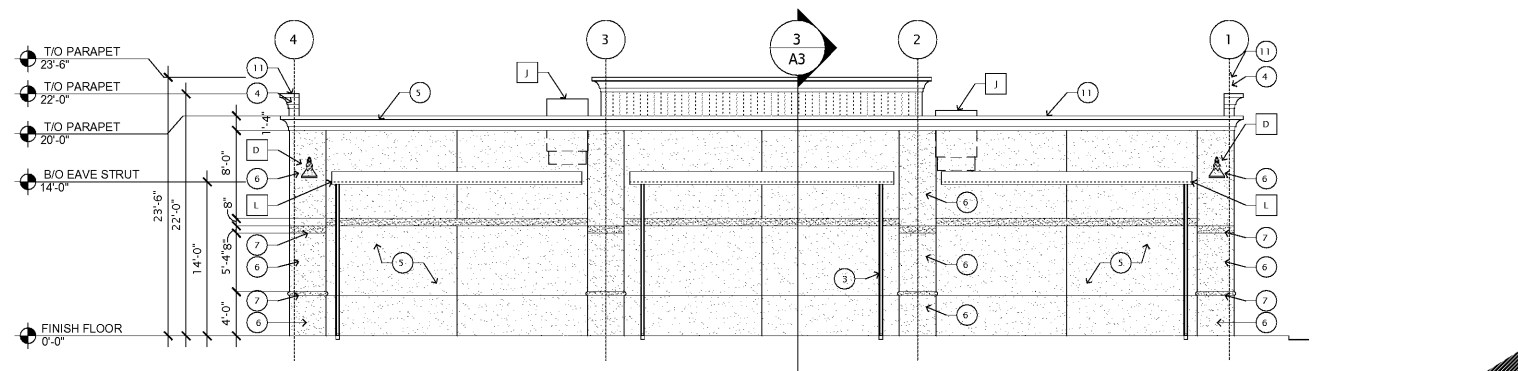
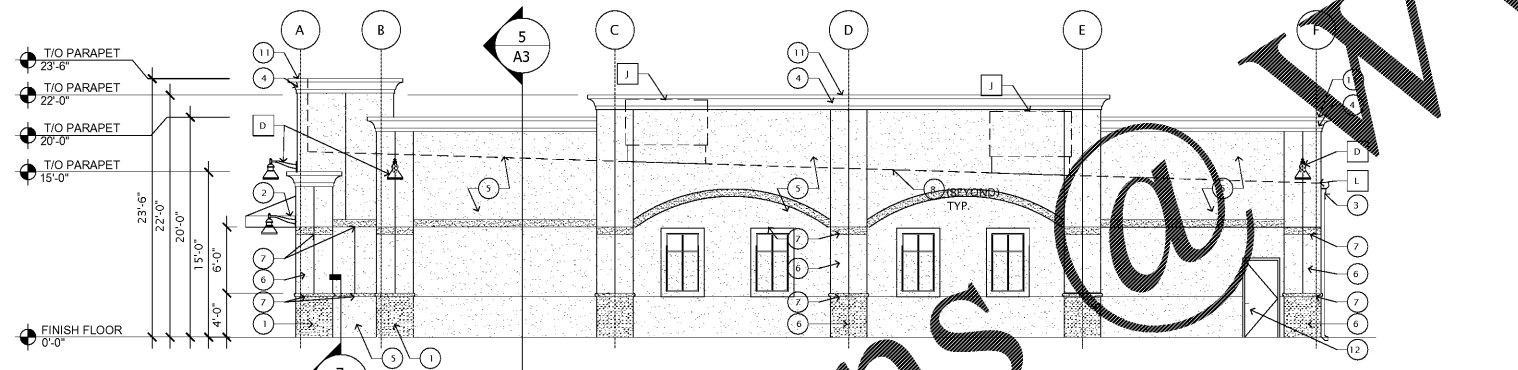


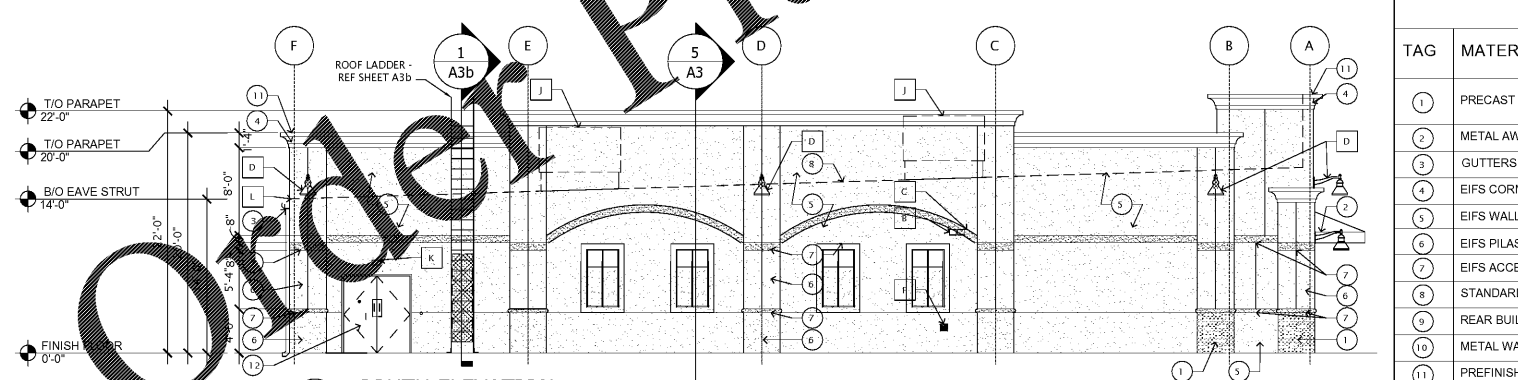
1 EAST ELEVATION
Scale: 1/8" = 1'-0"



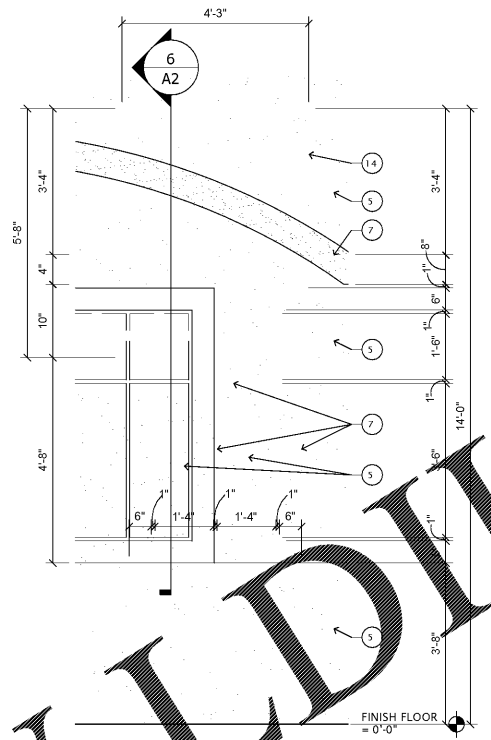
2 WEST ELEVATION
Scale: 1/8" = 1'-0"



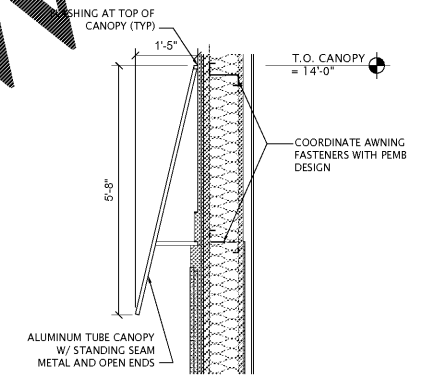
3 NORTH ELEVATION
Scale: 1/8" = 1'-0"



4 SOUTH ELEVATION
Scale: 1/8" = 1'-0"



FAUX WINDOW / AWNING DETAIL
Scale: 1/2" = 1'-0"



CANOPY FRAME AND INSTALLATION DETAILS SHALL BE PERMITTED BY CANOPY CONTRACTOR AND PREPARED BY A LICENSED ENGINEER FOR LOCAL WIND SPEED, RISK CATEGORY AND WIND EXPOSURE PRIOR TO INSTALLING

6 AWNING SECTION
Scale: 1/2" = 1'-0"

- KEYED NOTES**
- A** GC SHALL COORDINATE THE EXTERIOR CANOPY SIGN WITH DOLLAR GENERAL CORP. GC TO PROVIDE ADEQUATE BLOCKING AS REQUIRED BY SIGN MANUFACTURER TO SUPPORT SIGN WEIGHT (MAX 1,400 LBS) AND SHALL BE SUPPORTED BY CANOPY FACE. GC TO PROVIDE CIRCUIT AS NOTED ON ELECTRICAL PLAN. SIGN TO BE PROVIDED AND INSTALLED BY DOLLAR GENERAL CORP. INSTALL BUILDING SIGN CENTERED ON FRONT ELEVATION.
 - B** MECHANICAL VENT - REFER TO MECHANICAL DRAWINGS.
 - C** PLUMBING VENT - REFER TO PLUMBING DRAWINGS.
 - D** EXTERIOR BUILDING WALL LIGHT FIXTURE - REFER TO ELECTRICAL DRAWING ES2 FOR MOUNTING HEIGHT
 - E** EXTERIOR ELECTRICAL (REF ELECTRICAL DRAWING E1)
 - F** HYDRANT - REFER TO PLUMBING DRAWINGS.
 - G** DOOR SIZER, REFER TO ELECTRICAL DRAWING E1 FOR ADDITIONAL INFORMATION.
 - H** WALL HYDRANT, REFER TO PLUMBING DRAWING FOR ADDITIONAL INFORMATION.
 - I** ROOF MOUNTED HVAC UNITS ON PRE FABRICATED ROOF CURB, (REF EXTERIOR FINISH SCHEDULE THIS SHEET) (REF SHEET S1 AND M1)
 - K** OUTSIDE AIR TEMP. SENSOR MOUNTED OVER RECEIVING DOORS @ 8'-0" A.F.F.
 - L** EAVE STRUT HEIGHT AT 14'-0" A.F.F.
 - M** NOT USED
 - N** (4) 1/2" DIA x6" LG STAINLESS STEEL EYE BOLTS (CLOSED) WITH 1" DIA OPENING - DRILL AND EPOXY INTO BLOCK WALL.

- EXTERIOR ELEVATION NOTES**
1. ALL FABRIC AWNING MATERIAL SHALL MEET THE REQUIREMENTS FOR FLAME RESISTANCE AS DETERMINED IN ACCORDANCE WITH NFPA 701.
 2. ALL EXTERIOR SIGNAGE SHALL BE SUBMITTED UNDER SEPARATE PERMIT.
 3. PROVIDE KNOX BOX WHERE REQUIRED BY JURISDICTION PURCHASED FROM LOCAL FIRE DEPARTMENT. MOUNT PER FIRE DEPARTMENT REQUIREMENTS ON WALL ADJACENT TO ENTRANCE ON RIGHT SIDE.
 4. PROVIDE AND INSTALL BUILDING ADDRESS ON EXTERIOR ELEVATION FACING STREET WITH LETTER VISIBLE FROM STREET PER 2014 FLORIDA FIRE PREVENTION CODE AND NFPA 1, UNIFORM FIRE CODE.
 5. PEMB MANUFACTURER SHALL PROVIDE ALL METAL FRAMING, REAR PANELS, CRICKETS, AND REQUIRED FLASHING FOR ANY AND ALL PARTS OF THE RAISED PARAPET AND MASONRY PILASTERS ABOVE THE ROOF LINE

EXTERIOR FINISHES

TAG	MATERIAL	MANUFACTURER	COLOR / STYLE	GENERAL REMARKS
1	PRECAST STONE VENEER	BORAL STONE PRODUCTS PRO-STONE VENEER	EASY FIT SYSTEM / SAVANNAH LEDGE PROFILE / VINTAGE WINE	PRODUCT TO BE APPLIED OVER CONTINUOUS INSULATIONS PER MFR REQUIREMENTS
2	METAL AWNINGS	PEMB MANUFACTURER	TO MATCH SHERWIN WILLIAMS SW #7034 "STATUS BRONZE"	
3	GUTTERS & DOWN SPOUTS	PEMB MANUFACTURER	TO MATCH SHERWIN WILLIAMS SW #6149 "RELAXED KHAKI"	
4	EIFS CORNICE SYSTEM	REF PRODUCT APPROVAL ON COVER SHEET	TO MATCH SHERWIN WILLIAMS SW #6385 "DOVER WHITE"	LIT 1.0- FINE OR APPROVED EQUAL
5	EIFS WALL SYSTEM	REF PRODUCT APPROVAL ON COVER SHEET	TO MATCH SHERWIN WILLIAMS SW #7034 "STATUS BRONZE"	LIT 1.0- FINE OR APPROVED EQUAL
6	EIFS PILASTER	REF PRODUCT APPROVAL ON COVER SHEET	TO MATCH SHERWIN WILLIAMS SW #6149 "RELAXED KHAKI"	LIT 1.0- FINE OR APPROVED EQUAL
7	EIFS ACCENT BAND / TRIM / EIFS SILL	REF PRODUCT APPROVAL ON COVER SHEET	TO MATCH SHERWIN WILLIAMS SW #6385 "DOVER WHITE"	LIT 1.0- FINE OR APPROVED EQUAL
8	STANDARD METAL ROOF PANELS	PEMB MANUFACTURER	GALVALUME	PBR ROOF PANELS W/ ATLAS ULTIMATE FASTNER
9	REAR BUILDING PARAPET WALL	PEMB MANUFACTURER	TO MATCH SHERWIN WILLIAMS SW #7034 "STATUS BRONZE"	
10	METAL WALL PANELS	PEMB MANUFACTURER	COOL EGYPTIAN WHITE	
11	PREFINISHED METAL COPING @ PARAPET	PEMB MANUFACTURER	DARK BRONZE	ALUMINUM FRAME
12	HOLLOW METAL DOOR / FRAME	REF PRODUCT APPROVAL ON COVER SHEET	SW #7034 "STATUS BRONZE"	REF PRODUCT APPROVAL ON COVER SHEET
13	STOREFRONT SYSTEM	REF PRODUCT APPROVAL ON COVER SHEET	DARK BRONZE	
14	METAL AWNINGS	BY GENERAL CONTRACTOR	TO MATCH SHERWIN WILLIAMS SW #7034 "STATUS BRONZE"	

SEAL: JOHN BENEDICT POLSINELLI, AR 96059

THIS DRAWING SHALL NOT BE USED FOR CONSTRUCTION PURPOSES UNTIL THE SEAL AND SIGNATURE OF THE RESPONSIBLE REGISTRANT APPEARS ON THE DRAWING, AND PROPER PERMIT FORMS AND RELATED FEES ARE TRANSMITTED BY THE OWNER, OWNER'S AGENT OR CONTRACTOR TO THE AUTHORITY HAVING JURISDICTION.

DATE	ISSUED FOR	REV
10/12/2017	PLANNING SUBMITTAL	
10/27/2017	PEMB COORDINATION	
12/15/2017	PLANNING RE-SUBMITTAL	
12/15/2017	PERMIT	

Project Manager B. COLBURN	Drawn R. SHAMOON
Project Leader B. COLBURN	Checked L. KOWALSKI
Date 10/01/2017	Dept Mgr Approval L. LONG
Client Palmetto NFM - Hancock Bridge PKWY, LLC.	
P.O. BOX 1615 THOMASVILLE, GA 31792 Office: (863) 808-1320 Contact: Jeff Lazenby	

Project
DOLLAR GENERAL
4055 Hancock Bridge Parkway
North Fort Myers (Lee County), FL
Section 9, Township 44S., Range 24E.

Drawing Title
EXTERIOR ELEVATIONS

DO NOT SCALE DRAWING

Project No. JCDT17.0313.00	Drawing No. A2
--------------------------------------	--------------------------