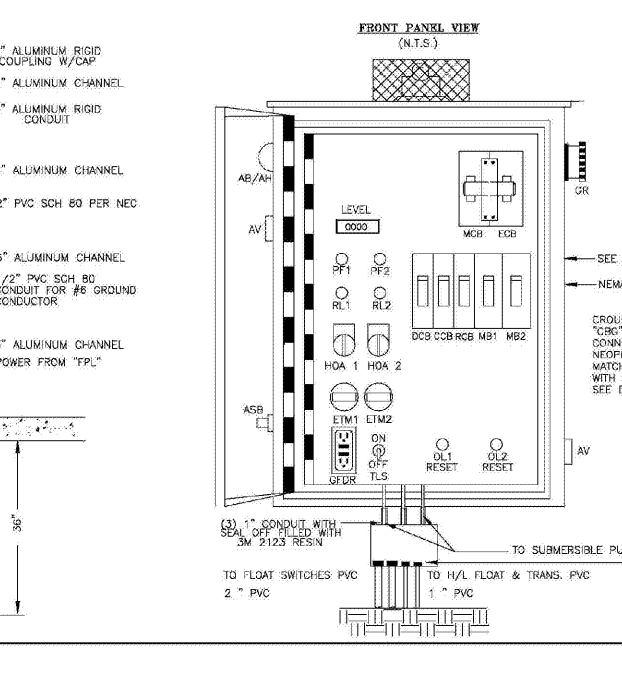
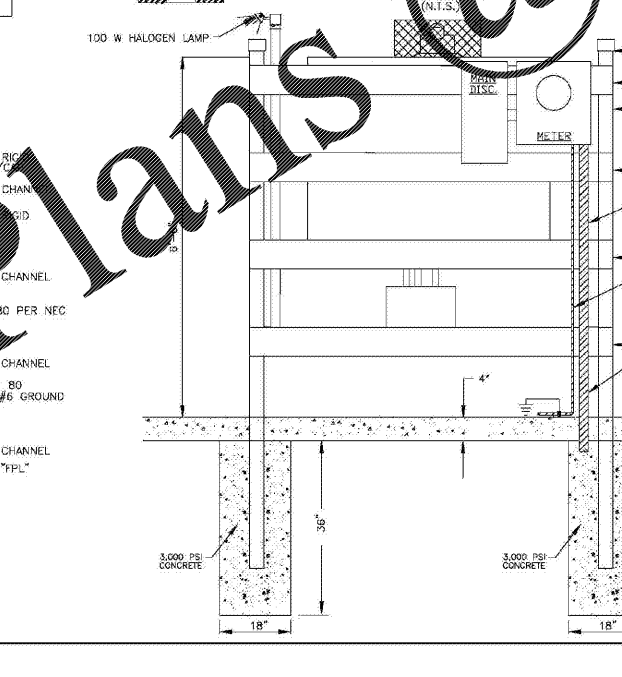
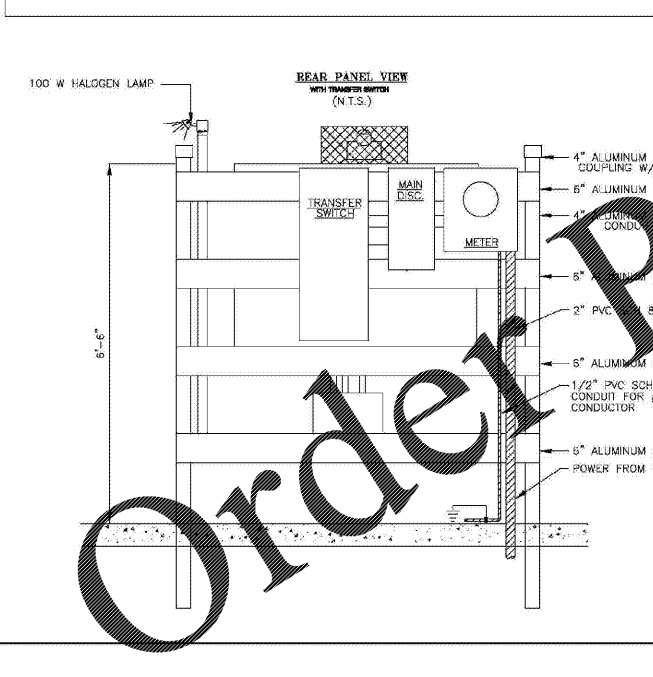
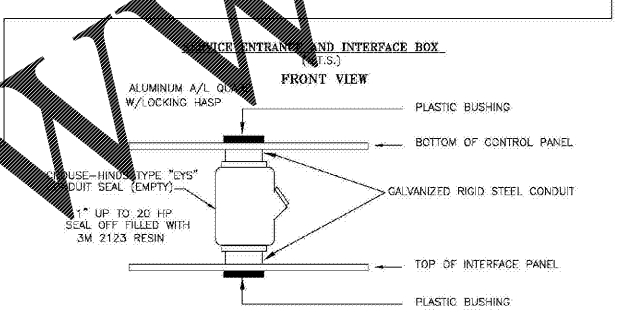


COMPONENT LEGEND table listing symbols for various electrical components such as AL (Alarm Light), ATS (Alternator Test Switch), and others.



GENERAL NOTES AND REQUIREMENTS

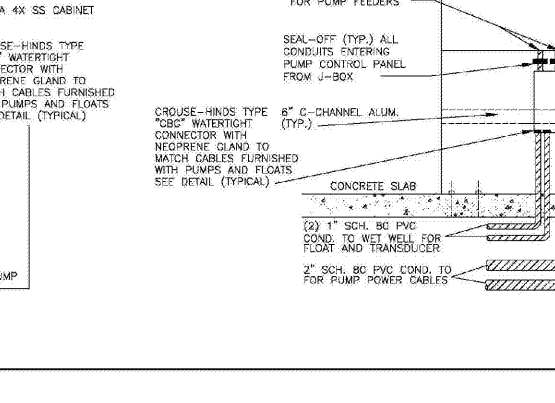
- 21 numbered list of general notes and requirements covering electrical standards, materials, safety, and installation procedures.

ELECTRICAL NOTES:

- 11 numbered list of specific electrical notes regarding conduit, wiring, and equipment specifications.

THE FOLLOWING ARE OPTIONS:

- 2 numbered list of optional features for the pump station, such as motor management and SCADA integration.



Project information block including title 'PUMP STATION DETAILS (PRIVATE)', drawing number '17-108/CONST', date '01/26/18', and company details for 'DOLLAR GENERAL'.

Revision table with columns for date, revision description, and date by, showing multiple revisions to the drawing.

Footer information including '2 BID SET (NOT FOR CONSTRUCTION)', '15 of 15' page count, and contact information for 'AVALON ENGINEERING, INC.' and 'LEE COUNTY UTILITIES ENGINEERING'.