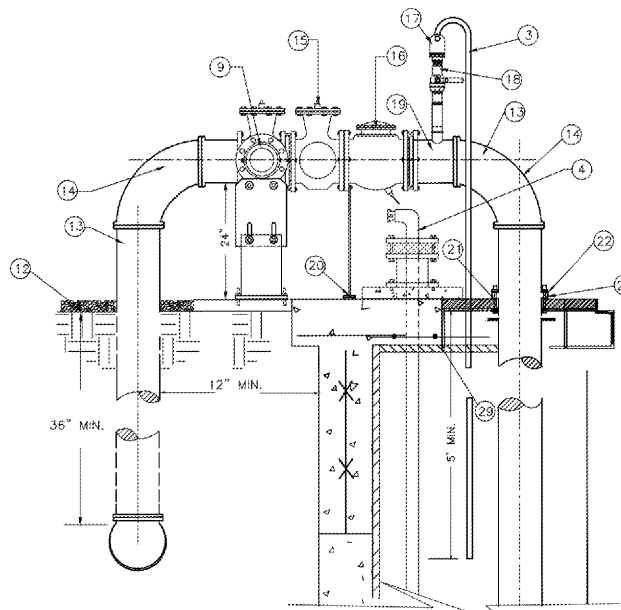
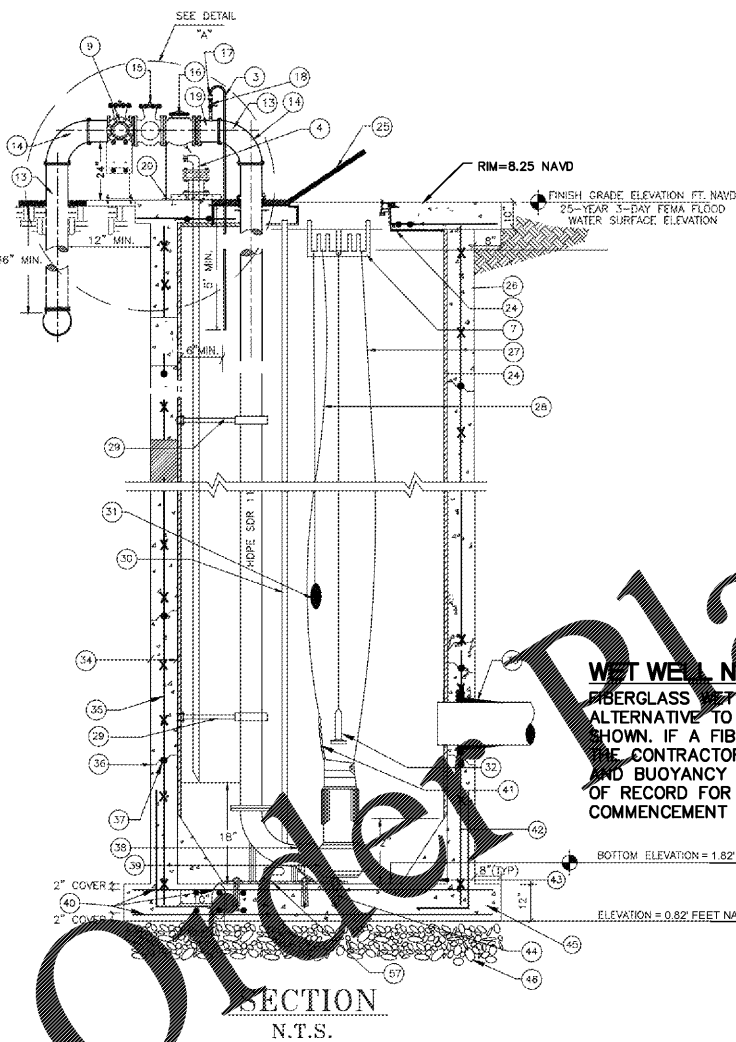


WETWELL PLAN
N.T.S.

NOTES:
CONTRACTOR TO SET PUMPS AND ACCESS COVER TO ENSURE ACCURATE ALIGNMENT OF GUIDE RAILS.
CONDUIT FOR PUMP POWER CABLES & FLOAT SWITCH CABLES, PLACEMENT IS TO BE DETERMINED BY LOCATION OF CONTROL PANEL.



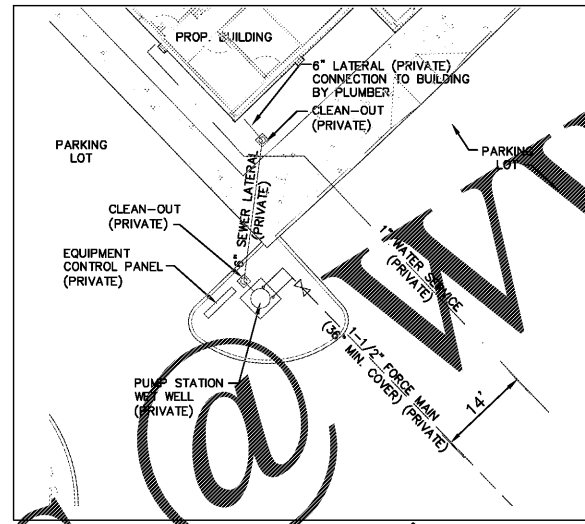
DETAIL "A"
N.T.S.



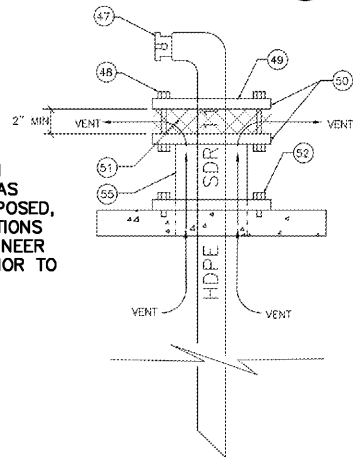
SECTION
N.T.S.

WETWELL NOTE:
FIBERGLASS WET WELL MAY BE USED AS AN ALTERNATIVE TO THE CONCRETE WET WELL AS SHOWN. IF A FIBERGLASS WET WELL IS PROPOSED, THE CONTRACTOR MUST PROVIDE SPECIFICATIONS AND BUOYANCY CALCULATIONS TO THE ENGINEER OF RECORD FOR REVIEW AND APPROVAL PRIOR TO COMMENCEMENT OF CONSTRUCTION.

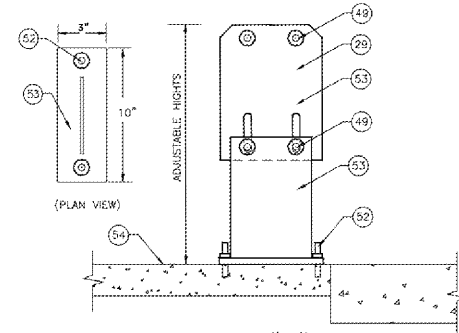
BOTTOM ELEVATION = 1.82 FEET NAVD
ELEVATION = 0.82 FEET NAVD



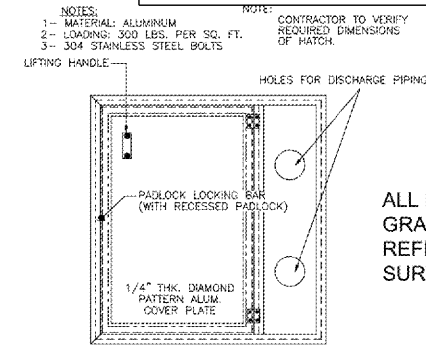
LAYOUT PLAN
N.T.S.



DETAIL "B"
N.T.S.



DETAIL "C"
N.T.S.



DETAIL "D"
WETWELL ACCESS HATCH
N.T.S.

GENERAL NOTES AND REQUIREMENTS

- 1 1/4" THK. SERIES 300 STAINLESS STEEL HOOKS FOR HOIST CABLES
- 2 PLUG VALVE
- 3 PVC DRAIN LINE FROM AIR RELEASE VALVE TO WET WELL
- 4 EMERGENCY PUMP OUT AND AIRVENT (SAME DIAMETER AS DISCHARGE PIPING)
- 5 (SEE DETAIL "B")
- 6 GUIDE RAILS
- 7 SPOOL PIECE
- 8 STAINLESS STEEL FLOAT CABLE SUPPORT
- 9 INFLUENT PIPE INSTALLED RADIALLY FROM WETWELL CENTER
- 10 FEMALE QUICK CONNECT COUPLER WITH CAP AND PLUG VALVE
- 11 POWER CABLE
- 12 FLOAT CONTROLS
- 13 FILTER CLOTH WITH 4" OF COMPACTED #57 STONE
- 14 HDPE PIPE
- 15 LONG RADIUS 90° BEND
- 16 PLUG VALVE (PAINT BLACK)
- 17 SWING FLEX CHECK VALVE (PAINT BLACK)
- 18 2" AUTOMATIC AIR RELEASE VALVE; (SEE LCU APPROVED MATERIAL LIST) ON EACH DISCHARGE PIPE
- 19 2" STAINLESS STEEL BALL VALVE (SEE APPROVED MATERIAL LIST)
- 20 HDPE BRANCH SADDLE, PE 3408 ASTM D3350 (BLACK) WITH FEMALE THREADED INSERT BRASS ALLOY
- 21 STAINLESS COMPRESSION RING GRADE TYPE 304 OR 316
- 22 STAINLESS STEEL PIPE SUPPORT (SEE DETAIL "C")
- 23 NEOPRENE GASKET
- 24 STAINLESS STEEL FLANGE RING
- 25 HDPE RIM (FUSED TO HDPE PIPE)
- 26 LINER OR COATING (SEE LCU APPROVED MATERIAL LIST)
- 27 ALUMINUM HATCH (SEE DETAIL "D")
- 28 COAL TAR EPOXY (BELOW GRADE)
- 29 SENSOR CABLE
- 30 SERIES 316 STAINLESS STEEL HOIST CABLE
- 31 SERIES 316 STAINLESS STEEL PIPE SUPPORT
- 32 SERIES 316 STAINLESS STEEL GUIDE RAILS
- 33 HIGH WATER ARM SIGNAL ON SUBMERSIBLE LEVEL TRANSMITTER
- 34 CAM LOCK COUPLER ON EMERGENCY PUMP OUT
- 35 STAINLESS STEEL BOLTS
- 36 BLIND FLANGE
- 37 STAINLESS STEEL CLAMP
- 38 STAINLESS STEEL SCREEN CLOTH
- 39 STAINLESS STEEL CONCRETE BOLTS
- 40 3/8" STAINLESS STEEL
- 41 4" THICK 3,000 P.S.I. CONCRETE SLAB
- 42 AIR VENT TO BE 2" PIPE SIZES LARGER THAN EMERGENCY PUMP OUT THE ACTUAL LOCATION IS TO BE DETERMINED IN THE FIELD.
- 43 LCU PREFERS THE LIFT STATION FENCE TO HAVE DARK GREEN VINYL COATING, HOWEVER, BLACK VINYL IS ACCEPTABLE.
- 44 PUMP DISCHARGE BASE PLATE, REFER TO LCU STANDARD DETAIL

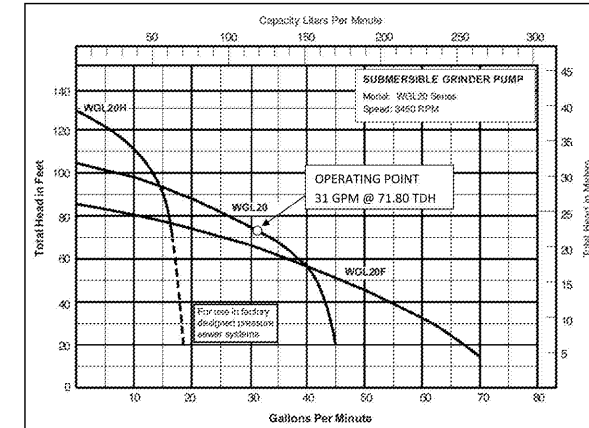
NOTES:
1- MATERIAL: ALUMINUM
2- LOADING: 300 LBS. PER SQ. FT.
3- 304 STAINLESS STEEL BOLTS

NUMBER OF PUMPS	# 1	# 2	# 3
PUMP MANUFACTURER	MYERS	MYERS	N/A
PUMP MODEL NUMBER	WGL20	WGL20	N/A
IMPELLER NUMBER	RECESSED CAST IRON	RECESSED CAST IRON	N/A
TYPE OF PUMP	GRINDER		
DESIGN CAPACITY PER PUMP	31	31	N/A (PH)
TOTAL DYNAMIC HEAD	71.80	71.80	(FEET)
SHUT-OFF HEAD	105	105	(FEET)
DESIGN SPEED	3450	3450	(RPM)
MIN. HORSEPOWER PUMP	2		(HP)
VOLTS	208	208	(VOLTS)
PHASE POWER	3		(PH)
DISCHARGE SIZE	1-1/4	1-1/4	(INCHES)
DIAMETER RISER PIPE	1-1/2	1-1/2	(INCHES)
PUMP OPERATION	3.00	3.00	N/A (FEET)
HIGH WATER ARM		4.00	(FEET)
OFF ELEVATION		2.82	(FEET)
DIAMETER PIPE AFTER RISER		1-1/2	(INCHES)
DIAMETER WETWELL (I.D.)		4	(FEET)
TOP OF WETWELL ELEVATION		8.25	(FEET)
BOTTOM ELEVATION		1.82	(FEET)
INFLUENT GRAVITY PIPE ELEVATION		4.50	(FEET)

BASIS OF DESIGN

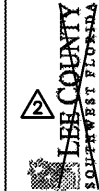
	ADF (gpm)	PHF (gpm)	EDU (1: EDU=250 gpd)
EXISTING	0.28	0.97	5.6
INTERIM	N/A	N/A	N/A
FUTURE	N/A	N/A	N/A

PUMP CURVE



ALL EXISTING AND PROPOSED GRADES / ELEVATIONS SHOWN REFER TO N.A.V.D. 88 (PER SURVEY)

FILE: S:\ENGINEERING\17-108\CAD-2018\LCU STD DETAILS\CAD FILES
SCALE: NTS
DATE: 12/10/2018
SHEET: 18 OF 18



LEE COUNTY UTILITIES
ENGINEERING
1500 MOBILE ST. FORT MYERS, FL 33901
(889) 634-8181 FAX: (239) 486-2888

STANDARD DETAIL NO. 6.42
PUMP STATION DETAIL
USING ABOVE GROUND
DISCHARGE PIPING

BID SET
(NOT FOR CONSTRUCTION)
01/26/18

Brendon D. Sloan
FL LICENSE # 69978

DATE	BY	REVISION DESCRIPTION
10/19/17	BS	LCU COUNTY A.G. INITIAL SUBMITTAL
12/12/18	BS	LCU COUNTY COMMENTS 11/15/17
01/23/18	BS	LCU COUNTY COMMENTS
01/26/18	BS	REVISED

AVOLON ENGINEERING, INC.
2503 DEL PRADO BLVD. #200
CAPE CORAL, FLORIDA 33904
FBPE#3128 (239) 573-2077

DEVELOPER:
Palmetto Capital Group, LLC
1643 Williamsburg Square
Lakeland, Florida 33803
(863) 808-1320

DOLLAR GENERAL
4055 HANCOCK BRIDGE PARKWAY
LEE COUNTY, FLORIDA

PUMP STATION DETAILS
(PRIVATE)