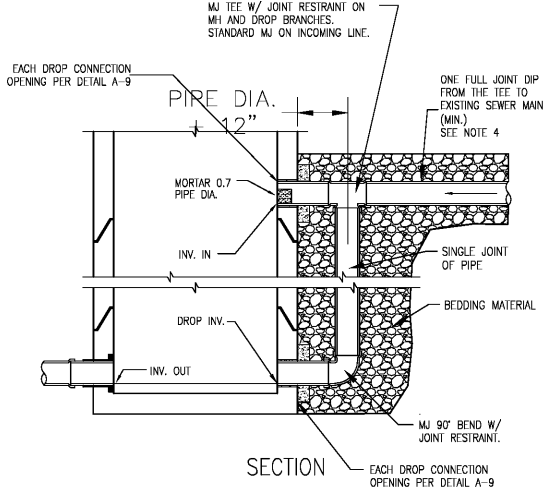


New Pipe Material	Existing Pipe Material	9" Pipe Mission Part No.	10" Pipe Mission Part No.	12" Pipe Mission Part No.
DIP	PVC - SDR 35	MRS1 88 ARC	MRS1 1010 ARC	MRS1 1212 ARC
	Ultra-Rib	Install Field Gasket MRS5 88 ARC See Note 1	Install Field Gasket MRS5 1010 ARC See Note 1	Install Field Gasket MRS5 1212 ARC See Note 1
	A-2000	Install Field Gasket MRS5 88 ARC See Note 1	Install Field Gasket MRS5 1010 ARC See Note 1	Install Field Gasket MRS5 1212 ARC See Note 1
	DIP	MRS5 88 ARC	MRS5 1010 ARC	MRS5 1212 ARC
	CIP	MRS1 88 ARC	MRS1 1010 ARC	MRS1 1212 ARC
	VCP	MRS3 88 ARC	MRS3 1010 ARC	MRS3 1212 ARC
PVC	PVC - SDR 35	MRS5 88 ARC	MRS5 1010 ARC	MRS5 1212 ARC
	Ultra-Rib	Install Field Gasket MRS5 88 ARC See Note 1	Install Field Gasket MRS5 1010 ARC See Note 1	Install Field Gasket MRS5 1212 ARC See Note 1
	A-2000	Install Field Gasket MRS5 88 ARC See Note 1	Install Field Gasket MRS5 1010 ARC See Note 1	Install Field Gasket MRS5 1212 ARC See Note 1
	DIP	MRS5 88 ARC	MRS5 1010 ARC	MRS5 1212 ARC
	CIP	MRS1 88 ARC	MRS1 1010 ARC	MRS1 1212 ARC
	VCP	MRS3 88 ARC	MRS3 1010 ARC	MRS3 1212 ARC

NOTE:  
1. FOR THE COUPLING OF ULTRA-RIB AND A-2000 PIPE, CONTRACTOR SHALL INSTALL FIELD GASKET SUPPLIED BY THE PIPE MANUFACTURER IN THE PIPE GROOVES NEAR THE END OF EACH JOINT AND THEN COUPLE THE PIPES TOGETHER USING THE SPECIFIED MISSION COUPLING. THE MISSION COUPLING SHALL OVERLAP THE FIELD GASKETS ON EACH END. TIGHTEN THE MISSION COUPLING INTO THE ULTRA-RIB/A-2000 PIPE GROOVE. FILL REMAINING GROOVES UNDER THE MISSION COUPLING WITH 100% SILICONE. AS NECESSARY FOR A LEAK-TIGHT CONNECTION, SILICONE SEALANT MUST MEET U.S. FEDERAL SPECIFICATIONS TT-S-001543A, TT-S-00230C, AND ASTM C920-95.

PIPE COUPLINGS FOR POINT REPAIRS

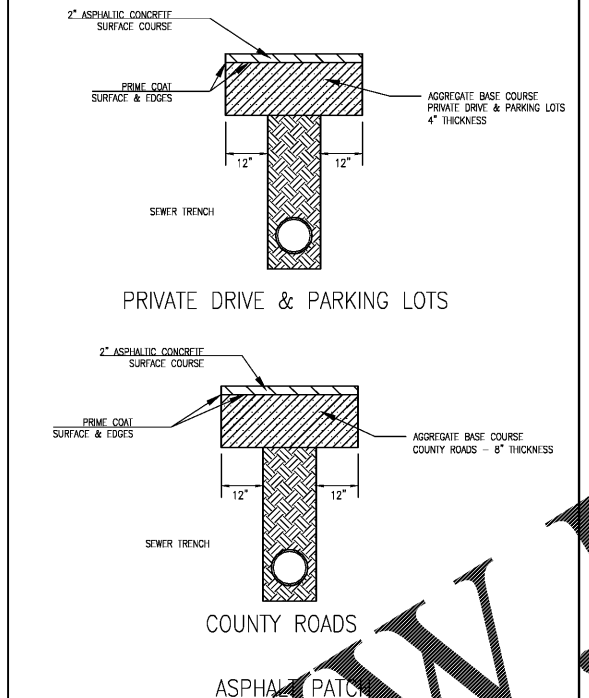
MetroConnects Metropolitan Sewer Subdistrict 120 Augusta Arbor Way Greenville, South Carolina	Rev. Date 01/26/12	Rev. Date 01/23/14	Rev. Date	Rev. Date	Scale N.T.S.
					Detail No. 8



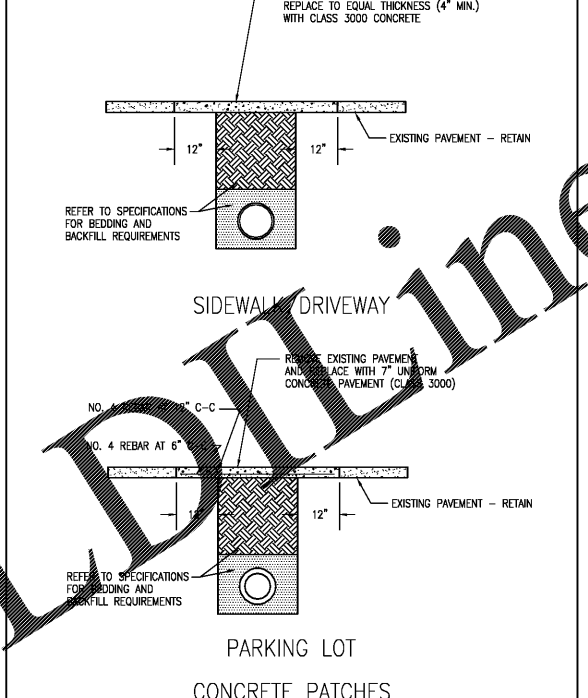
- NOTES:  
1. ALL PIPE AND FITTINGS SHALL BE D.I.P.  
2. MINIMUM DROP (INVERT IN - DROP INVERT) SHALL BE 3 FEET. MAXIMUM DROP SHALL BE 20 FEET.  
3. JOINT RESTRAINT SHALL BE MEGALUG RETAINER GLANDS BY EBAM IRON SALES, INC.  
4. SEE DETAIL A-2 FOR COUPLING TO EXISTING SEWER MAIN.

DROP CONNECTION REPLACEMENT

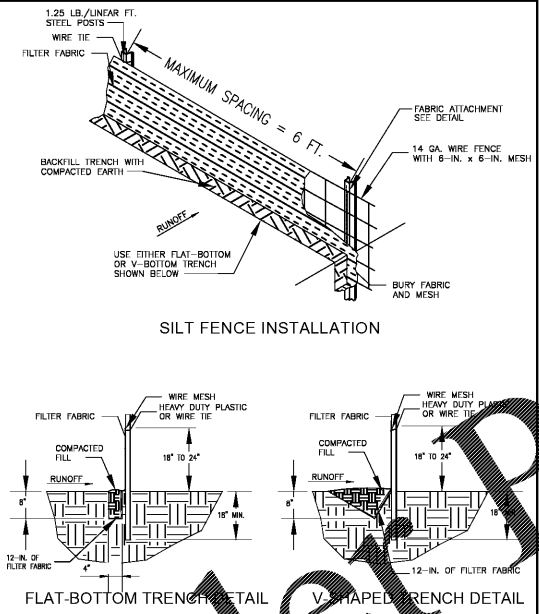
MetroConnects Metropolitan Sewer Subdistrict 120 Augusta Arbor Way Greenville, South Carolina	Rev. Date 01/21/14	Rev. Date 02/03/14	Rev. Date	Rev. Date	Scale N.T.S.
					Detail No. 9



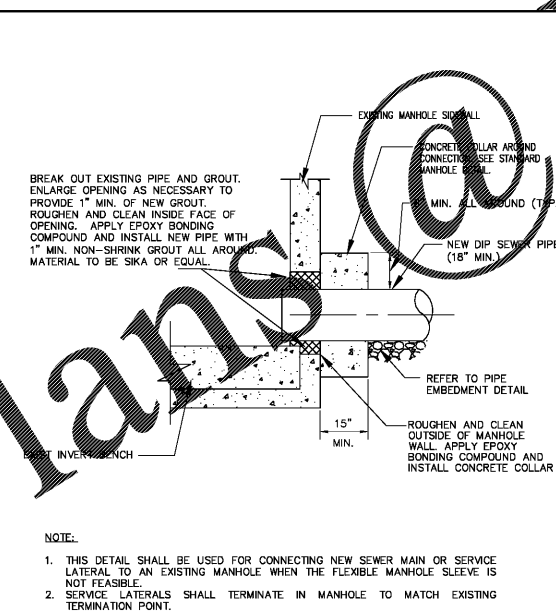
MetroConnects Metropolitan Sewer Subdistrict 120 Augusta Arbor Way Greenville, South Carolina	Rev. Date 4/10/02	Rev. Date 03/14/14	Rev. Date 02/07/02	Rev. Date 03/17/14	Scale N.T.S.
					Detail No. 10



MetroConnects Metropolitan Sewer Subdistrict 120 Augusta Arbor Way Greenville, South Carolina	Rev. Date 4/10/02	Rev. Date 05/22/15	Rev. Date 01/21/14	Rev. Date 02/03/14	Scale N.T.S.
					Detail No. 11

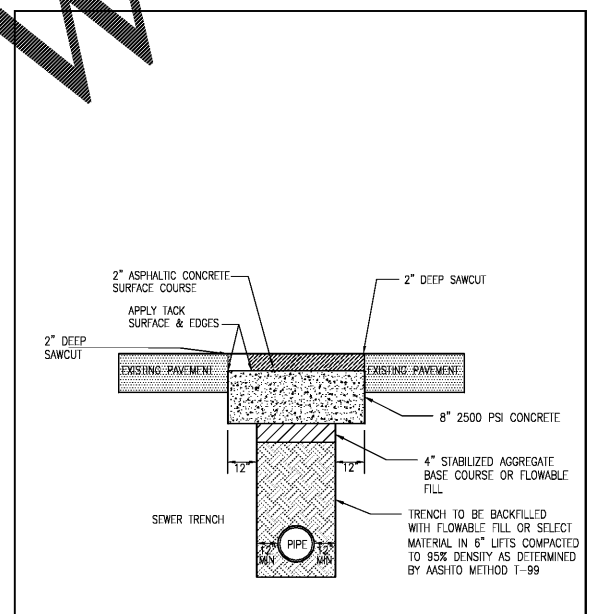


MetroConnects Metropolitan Sewer Subdistrict 120 Augusta Arbor Way Greenville, South Carolina	Rev. Date 4/09/02	Rev. Date 02/03/14	Rev. Date	Rev. Date	Scale N.T.S.
					Detail No. 12

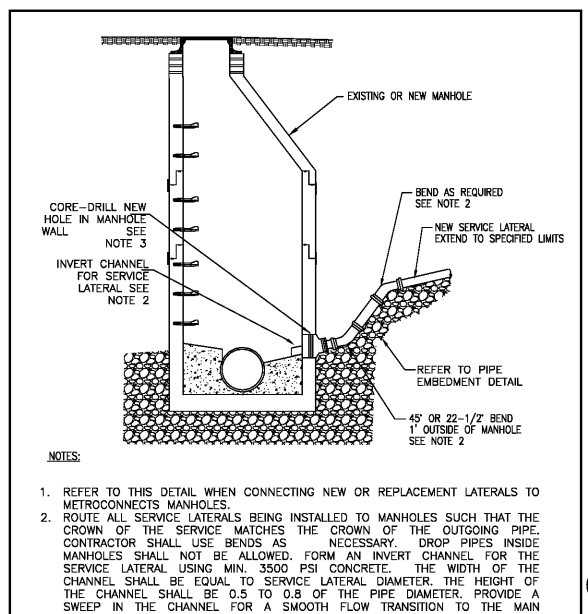


PIPE REPLACEMENT CONNECTION TO EXISTING MANHOLE  
OPTIONAL "CONCRETE COLLAR"

MetroConnects Metropolitan Sewer Subdistrict 120 Augusta Arbor Way Greenville, South Carolina	Rev. Date 01/26/12	Rev. Date 01/20/14	Rev. Date 02/03/14	Rev. Date	Scale N.T.S.
					Detail No. 13



MetroConnects Metropolitan Sewer Subdistrict 120 Augusta Arbor Way Greenville, South Carolina	Rev. Date	Rev. Date	Rev. Date	Rev. Date	Scale N.T.S.
					Detail No. 14



NEW SERVICE LATERAL INSTALLATION TO MANHOLE

MetroConnects Metropolitan Sewer Subdistrict 120 Augusta Arbor Way Greenville, South Carolina	Rev. Date 02/07/12	Rev. Date	Rev. Date	Rev. Date	Scale N.T.S.
					Detail No. 15

METROPOLITAN SEWER SUBDISTRICT  
120 Augusta Arbor Way  
Greenville, South Carolina 29605  
864-277-1212

PREPARED BY:  
Gavel & Dorn Engineering, PLLC  
Licence No. C-3734  
6730 Freedom Dr.  
Charlotte, NC 28214

SOUTH GREENVILLE POINT REPAIR PROJECT

DETAILS

PROJECT:	
SHEET TITLE:	
MARK DATE:	
DESCRIPTION:	
APPROVED:	
DATE:	01-29-18
CHKD:	JLD
DRWN:	MBL
SCALE:	NTS
PROJECT NUMBER:	16-4005
SHEET:	D-2

SOUTH CAROLINA PROFESSIONAL ENGINEER  
No. 20336  
01/29/2018

SOUTH CAROLINA  
GAVEL & DORN  
ENGINEERING, PLLC  
C03734  
CERTIFICATE OF AUTHORITY