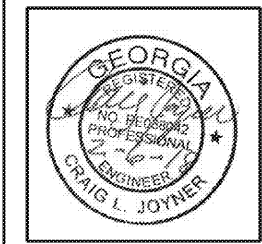


PLUMBING FIXTURE SCHEDULE (LOW FLOW ELECTRONIC FIXTURES)

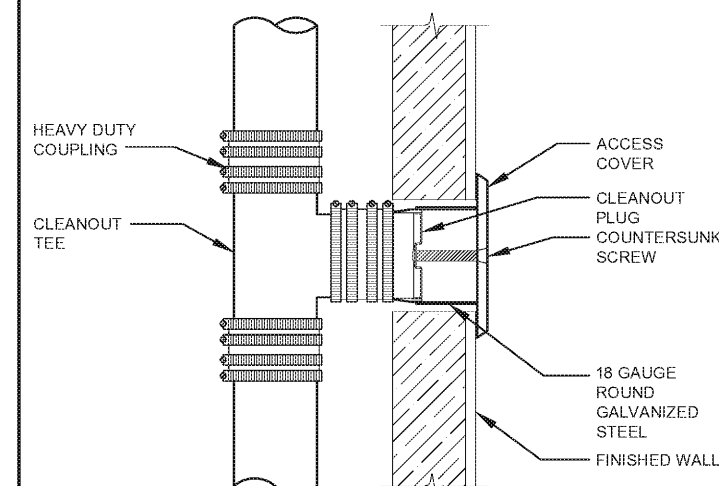
MARK	DESCRIPTION	MANUFACTURER, MODEL NUMBER	FITTINGS/ACCESSORIES	REMARKS	MINIMUM FIXTURE CONNECTIONS			
					CW	HW	WASTE	VENT
P-1A	WATER CLOSET ELONGATED, WALL MTD., FLUSH VALVE, ADA	TOTO USA CT708E	FLUSH VALVE: TOTO TET1LA32#CP, SELF-POWERED; SEAT: TOTO SC534, STAINLESS STEEL HINGE, NUTS, AND WASHER.	1.28 GPF, ELONGATED, WALL MOUNTED CARRIER J.R. SMITH 0208 HORIZONTAL; J.R. SMITH 0440 VERTICAL; 17" MINIMUM SEAT HEIGHT, ADA HANDLE INSTALLED ON WIDE SIDE	1"	---	3" U.N.O.	2"
P-3A	LAVATORY, WALLHUNG, ADA	KOHLER HUDSON K-2805-0	FAUCET: TOTO TEL155-D10ET, ECOPOWER, SELF-GENERATING HYDROPOWERED, TMV; PROVIDE WITH GRID DRAIN, TAILPIECE AND TRUEBRO "LAV-GUARD"	19"x17", WALL MOUNTED SINK W/ OVERFLOW, SINGLE HOLE, SENSOR OPERATED FAUCET, 0.5 GPM AERATOR, ADA, K-8998 P-TRAP, LF170 SUPPLY W/ FLEXIBLE RISER.	1/2"	1/2"	1-1/4"	1-1/4"
FD-1	FLOOR DRAIN	J.R. SMITH 2005	CAST IRON BODY, FLASHING COLLAR, 6" SQUARE NICKEL BRONZE ADJUSTABLE STRAINER.	FINISHED AREAS, PROVIDE WITH PROSET TRAP GUARD DEVICE	---	---	---	---

THE ARCHITECTURE GROUP, INC.
 3075 Peachtree Dunwoody St., Suite 200
 Atlanta, GA 30338
 Phone: (678) 222-0375
 Fax: (678) 222-0384
 info@architecturegroup.com

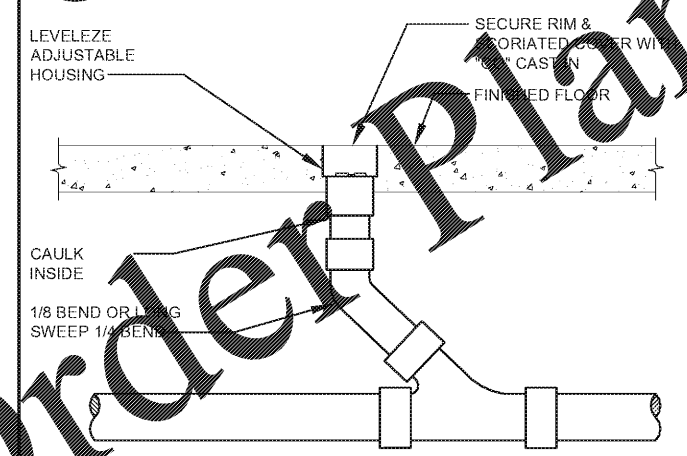
THIS DRAWING MAY NOT BE USED IN ANY MANNER NOR REPRODUCED IN ANY FORM WITHOUT PRIOR WRITTEN CONSENT FROM THE ARCHITECTURE GROUP, INC.



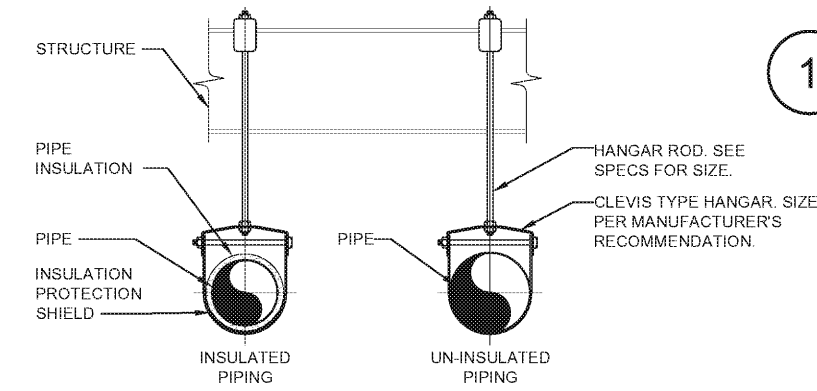
2018 MRRF CAMPUS-WIDE ADA IMPROVEMENTS
 PROJECT No. IGSU-026-18
 TAG PROJECT No. 1706
 GEORGIA STATE UNIVERSITY
 ATLANTA, GEORGIA



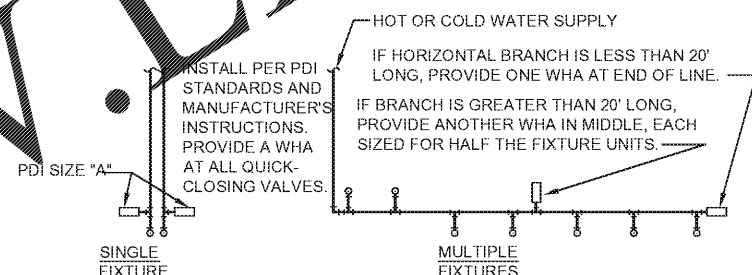
4 CAST IRON WALL CLEANOUT DETAIL
 SCALE: NO SCALE



3 FLOOR CLEANOUT DETAIL
 SCALE: NO SCALE



2 PIPE HANGAR DETAIL
 SCALE: NO SCALE



1 WATER HAMMER ARRESTERS
 SCALE: NO SCALE

PDI SIZE	PIPE SIZE	FIXTURE UNIT LOAD
A	1/2"	1-11
B	3/4"	12-32
C	1"	33-60
D	1-1/4"	61-113
E	1-1/2"	114-154
F	2"	154-330

FIXTURE	COLD		HOT	
	VALVE	UNIT	VALVE	UNIT
VALVE WATER CLOSET	10			
TANK WATER CLOSET	3			
URNIAL	5			
LAVATORY/SINK	2	2		
SHOWER/BATHTUB	2	2		

DO NOT PROVIDE AIR CHAMBERS. PROVIDE WATER HAMMER ARRESTERS BY SIOUX CHIEF, PRECISION PLUMBING PRODUCTS, WATTS OR APPROVED EQUIVALENT WITH PISTON AND O-RING CONSTRUCTION, HAVING PDI #WH-201, ASSE # 1010 AND ANSI # A112.26.1M CERTIFICATION. INSTALL IN HORIZONTAL OR VERTICAL POSITION, BUT NEVER UPSIDE DOWN. INSTALL IN LINE WITH WATER FLOW IF POSSIBLE. SIZE THE UNITS AS SHOWN ON THE DRAWINGS AND/OR PER THE TABLES SHOWN ABOVE. SIOUX CHIEF "MINI-RESTER" MAY BE USED AT EACH FIXTURE. PROVIDE ACCESSIBILITY TO "WHA" WHERE REQUIRED BY LOCAL CODE.

Order Plans @ www.LDILine.com

Spencer Bristol Engineering, Inc.
 A Gray Company
 3577 Parkway Lane, Suite 250
 Peachtree Corners, Georgia 30092
 Tel. 770.414.1628 Fax 770.414.6024
 SBE Project No. 1744

UL P0.2